

[Manuals.plus](#) /

› [VoleStay](#) /

› VoleStay Biometric Home Safe ES42B Instruction Manual

VoleStay ES42B

VoleStay Biometric Home Safe ES42B Instruction Manual

Model: ES42B | Brand: VoleStay

1. INTRODUCTION

This manual provides essential information for the safe and efficient operation of your VoleStay Biometric Home Safe ES42B. Please read these instructions thoroughly before installation and use, and retain them for future reference.

2. SAFETY INFORMATION

- Always keep emergency keys in a secure location away from the safe and out of reach of unauthorized individuals.
- Do not store the emergency keys inside the safe.
- Ensure the safe is mounted securely to prevent unauthorized removal.
- Avoid exposing the safe to extreme temperatures or humidity.
- Replace batteries promptly when the low battery indicator appears to ensure continuous operation.

3. PACKAGE CONTENTS

Verify that all components are present:

- VoleStay Biometric Home Safe
- Battery Holder
- Backup Keys (2)
- Removable Shelf
- Handgun Rest (5-position foam)
- Mounting Hardware (bolts for floor/wall mounting)
- Instruction Manual

4. PRODUCT OVERVIEW

Familiarize yourself with the main components of your safe.

INTRODUCTION TO THE PANEL

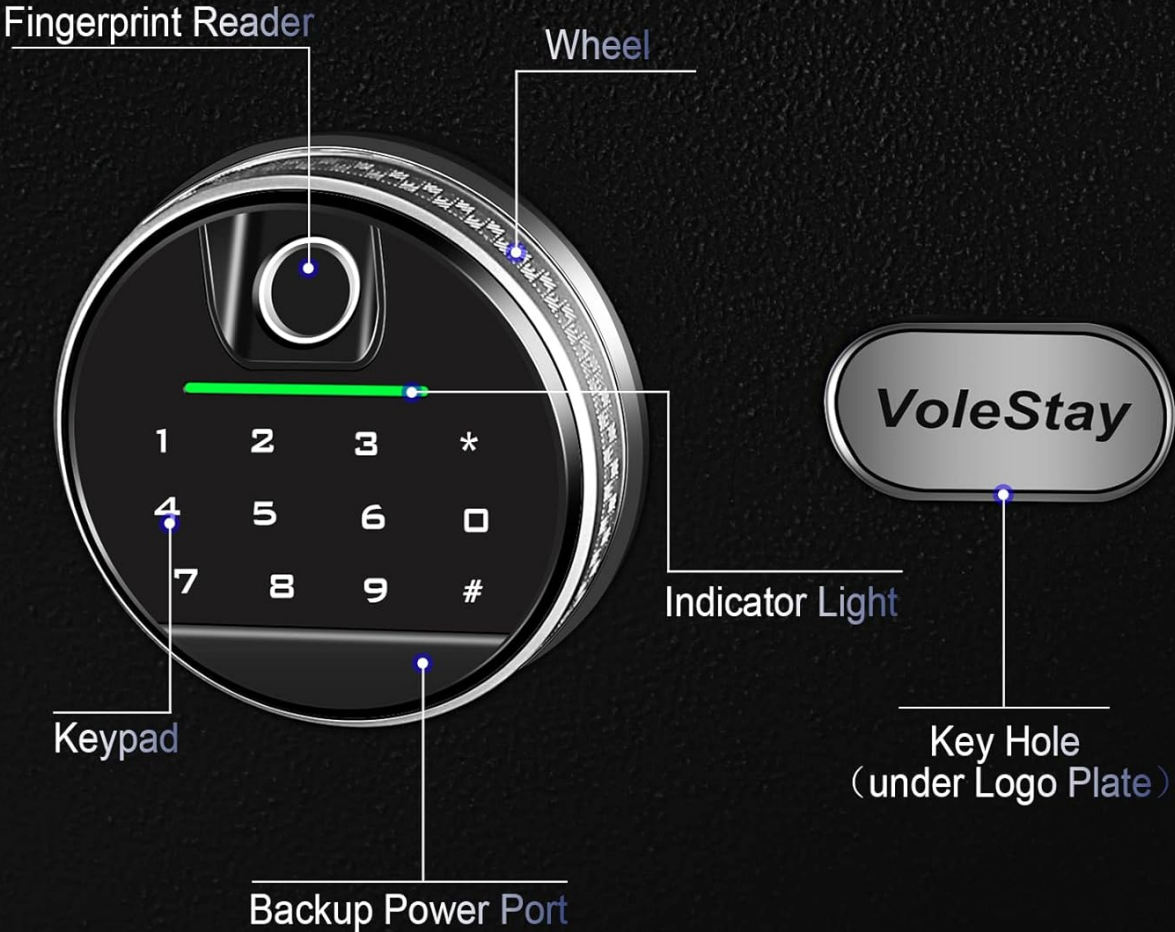


Figure 4.1: Control Panel Layout. This diagram highlights the fingerprint reader, keypad, indicator light, backup power port, and the hidden keyhole located under the VoleStay logo plate.

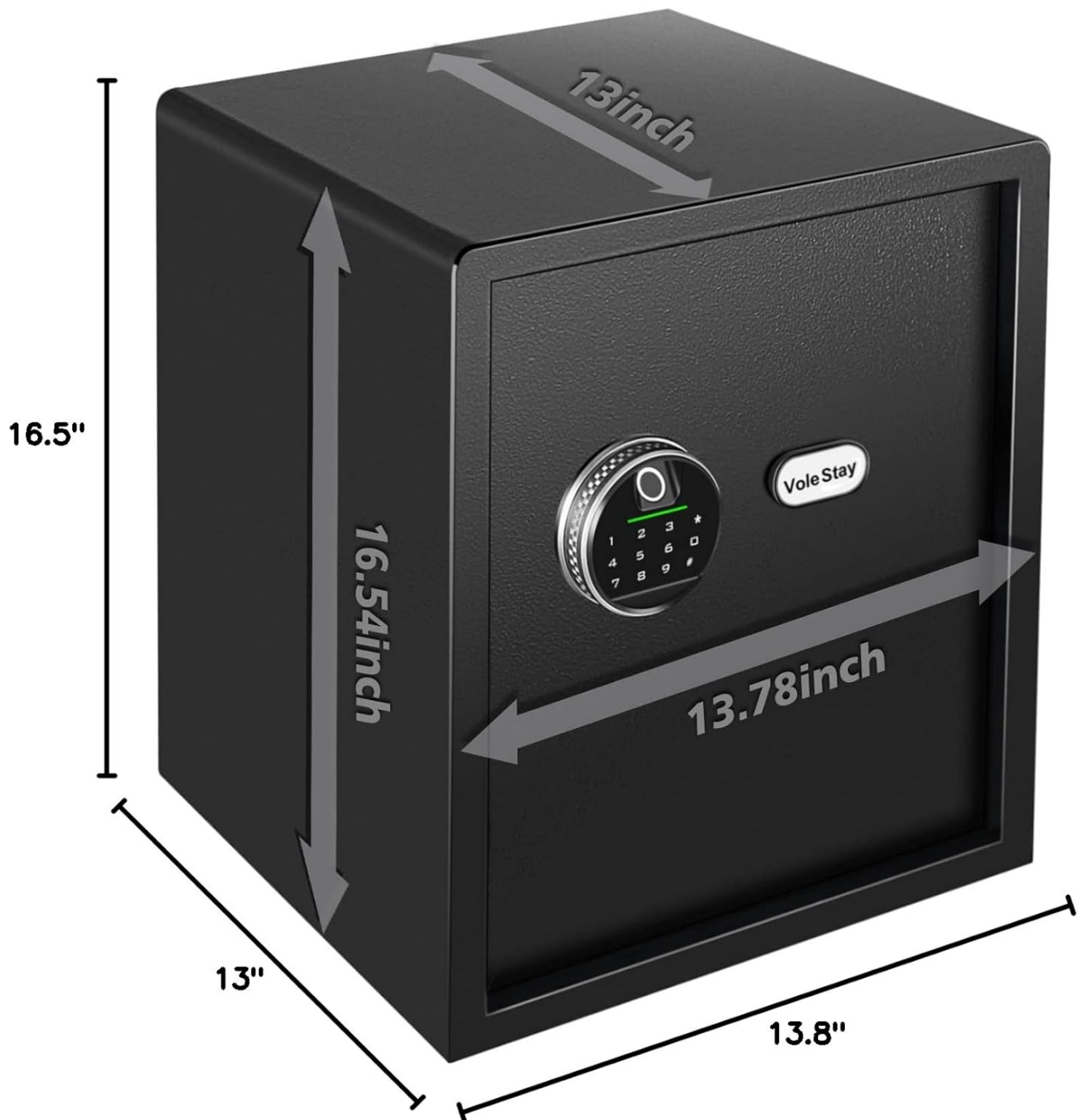


Figure 4.2: Product Dimensions. The safe measures 16.5 inches deep, 13.8 inches wide, and 13 inches high.



Figure 4.3: Detachable Gun Rack. The safe includes a foam gun rack capable of holding up to 5 full-size pistols. This rack can be customized by cutting to accommodate fewer pistols if needed.

5. SETUP

5.1 Initial Access

Upon receiving your safe, use one of the provided backup keys to open it for the first time. Insert the key into the keyhole located under the VoleStay logo plate and turn it to unlock. Rotate the handle to open the door.

5.2 Battery Installation

The safe requires 4 AA batteries (not included) for the electronic lock system. The battery compartment is located on the inside of the safe door. Open the battery holder, insert the batteries according to the polarity markings, and close the holder.

5.3 Programming Fingerprints

The safe can store up to 20 individual fingerprints.

1. With the safe door open, press the internal 'SET' button (usually a small red button). The keypad will illuminate.
2. Place your finger on the fingerprint reader. The indicator light will flash.
3. Lift and place your finger on the reader multiple times (typically 3-5 times) from different angles until the indicator light confirms successful registration (e.g., a green light or a specific beep).
4. Repeat for additional fingerprints if desired.

5.4 Programming PIN Code

The safe supports a 10-digit PIN code.

1. With the safe door open, press the internal 'SET' button. The keypad will illuminate.
2. Enter your desired PIN code (4-8 digits) on the keypad.
3. Press the '#' button to confirm. The indicator light will confirm successful registration.

5.5 Mounting the Safe

The safe features pre-drilled holes for secure floor or wall mounting. Use the included hardware to fasten the safe in your desired location. Ensure the mounting surface is strong enough to support the safe's weight and contents.

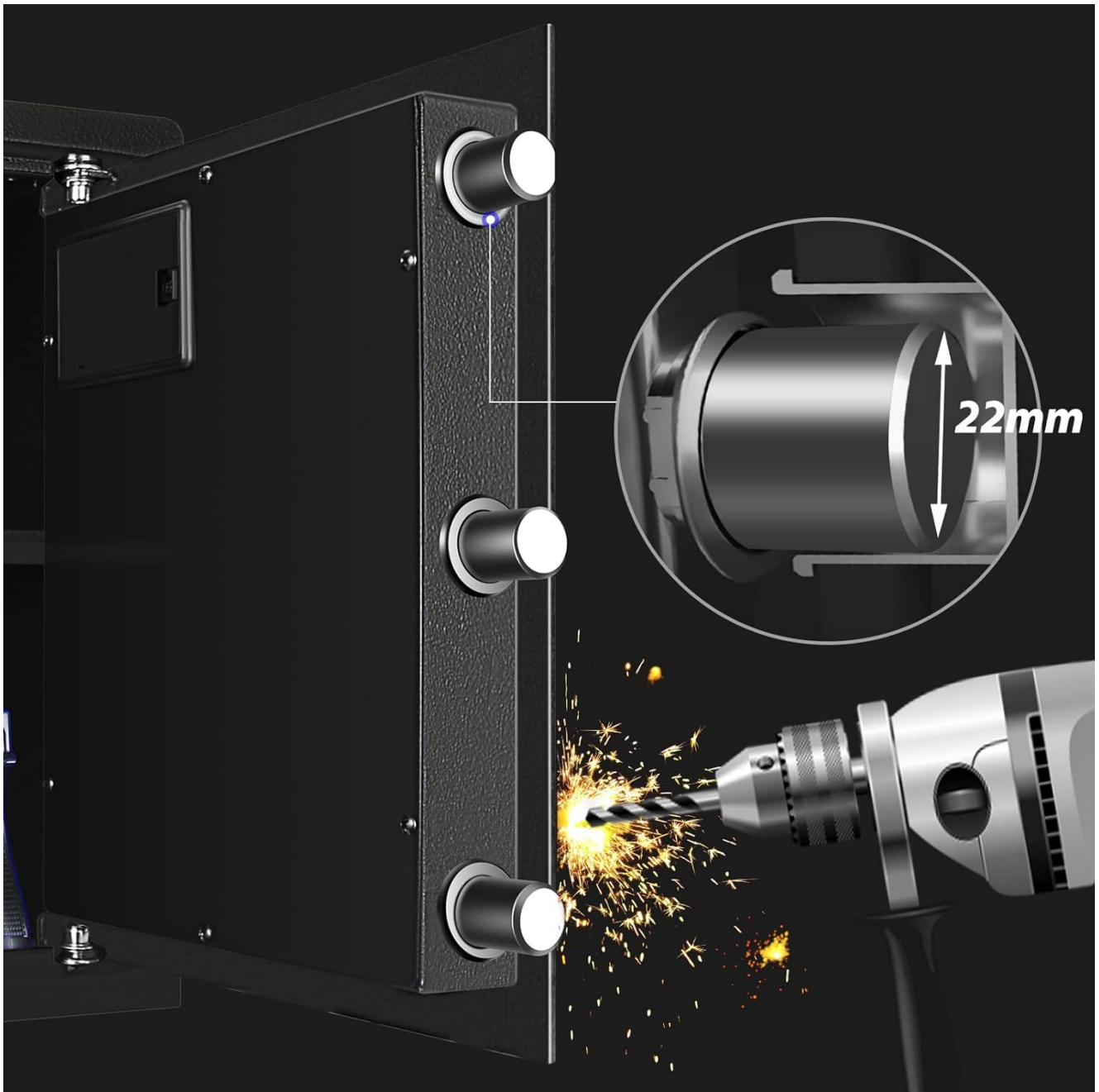


Figure 5.1: Secure Mounting. The safe is designed with strong deadbolts and pre-drilled holes for secure installation.

6. OPERATING INSTRUCTIONS

6.1 Opening with Fingerprint

1. Place a registered finger on the fingerprint reader.
2. If recognized, the indicator light will turn green, and the safe will unlock.
3. Rotate the handle to open the door.

6.2 Opening with PIN Code

1. Enter your registered PIN code on the keypad.
2. Press the '#' button.
3. If correct, the indicator light will turn green, and the safe will unlock.
4. Rotate the handle to open the door.

6.3 Opening with Emergency Key

In case of battery failure or forgotten codes, use the emergency key:

1. Remove the VoleStay logo plate to reveal the keyhole.
2. Insert the emergency key and turn it to unlock.
3. Rotate the handle to open the door.

6.4 Silent Mode

To activate or deactivate silent mode, press the '*' button on the keypad. This will mute the sound feedback from the safe, which can be useful in certain situations.

6.5 Low Battery Reminder

The safe features a low battery reminder. When batteries are low, the indicator light will show a red battery icon or flash a specific color to alert you. Replace batteries immediately to avoid being locked out.



Figure 6.1: Key Features. This image illustrates the low battery reminder, internal LED light, emergency battery port, anti-pry design, installation holes, and memory EPE foam for interior protection.

Video 6.1: VoleStay Biometric Gun Safe with Gun Rack & Organizer. This video demonstrates the safe's features, including the biometric access, keypad entry, and the internal gun rack for organization.

7. MAINTENANCE

7.1 Battery Replacement

When the low battery indicator appears, replace all 4 AA batteries. Use only new, high-quality alkaline batteries. Do not mix old and new batteries or different battery types.

7.2 Cleaning

Clean the exterior of the safe with a soft, damp cloth. Avoid using abrasive cleaners or solvents that could damage the finish or electronic components. Keep the fingerprint reader and keypad clean and dry for optimal performance.

8. TROUBLESHOOTING

- **Safe does not open with fingerprint/PIN:** Ensure batteries are not low. Re-enter the PIN carefully. For fingerprint, ensure your finger is clean and placed correctly on the sensor. Try re-registering your fingerprint.
- **Keypad is unresponsive:** Check battery levels. If batteries are completely drained, use the emergency key.
- **Alarm sounds:** The anti-theft alarm activates after 3 consecutive incorrect PIN entries or fingerprint scans. Wait for the alarm to reset or use the emergency key to open the safe.
- **Door does not close properly:** Check for any obstructions inside the safe or around the door frame. Ensure the locking bolts are fully retracted before attempting to close.

9. SPECIFICATIONS

Feature	Specification
Brand	VoleStay
Model Number	ES42B
Product Dimensions (D x W x H)	16.5" x 13.8" x 13"
Capacity	1.55 Cubic Feet
Lock Type	Biometric (Fingerprint), Keypad (PIN), Key
Material	Carbon Steel
Door Thickness	14 gauge
Wall Thickness	16 gauge
Locking Bolts	3 live-door bolts (22mm)
Mounting Type	Freestanding, Tabletop (with pre-drilled holes for floor/wall mounting)
Power Source	4x AA Batteries (not included), 9V Emergency Battery Port
Special Features	Portable, Internal LED Light, Silent Mode, Anti-theft Alarm, Low Battery Reminder
Water Resistance Level	Not Water Resistant

10. WARRANTY AND SUPPORT

For warranty information, technical support, or to purchase replacement parts, please contact VoleStay customer service. Refer to the product packaging or the VoleStay official website for contact details.