

TONOR T90

TONOR T90 RGB Boom Arm User Manual

Model: T90 | Brand: TONOR

1. INTRODUCTION

The TONOR T90 RGB Boom Arm is an adjustable microphone stand designed to enhance your gaming, streaming, podcasting, and recording setup. It features integrated RGB lighting with multiple modes, robust construction, and efficient cable management, providing both functionality and aesthetic appeal.

This manual provides comprehensive instructions for the proper setup, operation, and maintenance of your TONOR T90 RGB Boom Arm to ensure optimal performance and longevity.



Image: The TONOR T90 RGB Boom Arm, showcasing its design and compatibility with different microphone types.

Vibrant Gaming Atmosphere



Image: The boom arm integrated into a gaming desk setup, highlighting its vibrant RGB lighting and the 11 available light modes.

2. WHAT'S IN THE BOX

Please verify that all components are present before proceeding with installation:

- 1 x RGB Boom Arm
- 1 x Desk Clamp
- 1 x USB-A to Type-C Cable
- 1 x User Manual

Heavy Duty Boom Arm

Ultra Strong, easily carry most microphones with security and stability.

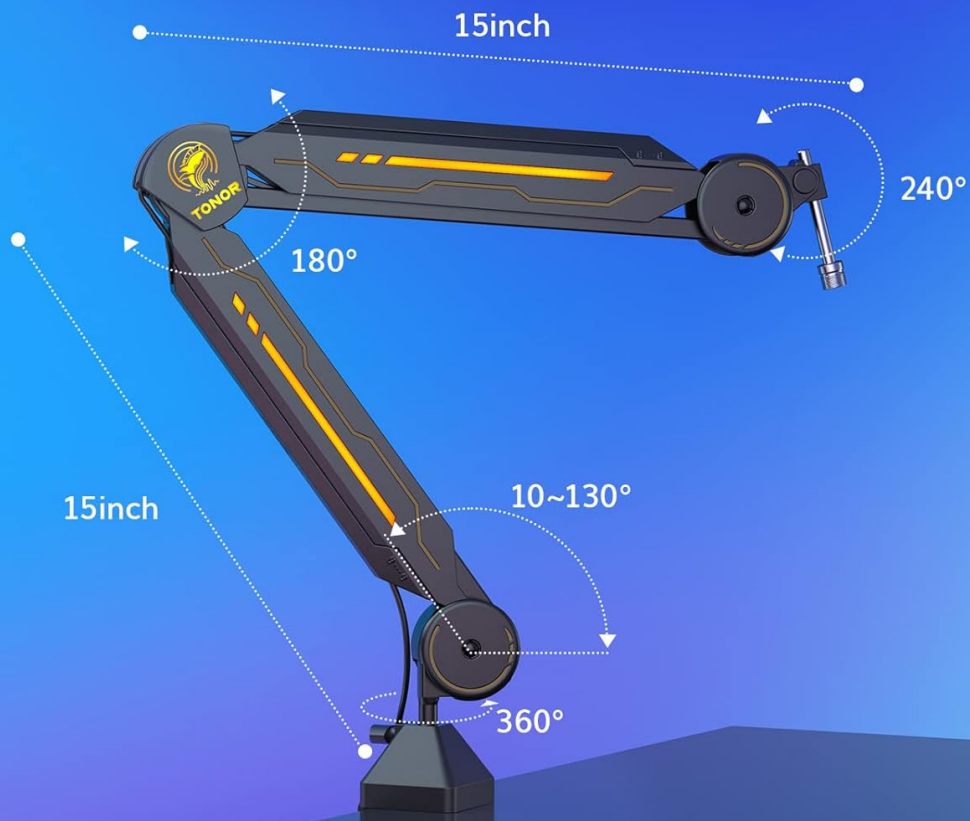


Image: Illustration of the boom arm's heavy-duty construction, demonstrating its maximum load capacity of 4.4 lbs (2 kg) at a 90-degree angle.

3. SETUP INSTRUCTIONS

1. **Attach the Desk Clamp:** Securely fasten the desk clamp to a sturdy surface, such as your desk. Ensure the clamp is tightened firmly to prevent movement.

Flexible & Adjustable



CORRECTLY INSTALL FOR SECURE USE



Image: A diagram illustrating the boom arm's flexibility (360° rotation, 180° stretch) and the correct method for installing the desk clamp for secure use.

2. **Insert the Boom Arm:** Insert the base of the boom arm into the hole on the desk clamp. Tighten the screw on the clamp to secure the arm in place.
3. **Attach Your Microphone:** The boom arm is compatible with microphones featuring a 5/8" screw adapter. Screw your microphone onto the threaded end of the boom arm.
4. **Cable Management:** Utilize the integrated cable channel cover to neatly route your microphone cable along the arm. This keeps your desktop tidy and prevents cable clutter.

Cable Management

Say goodbye to messy cables.



Image: A close-up view demonstrating the cable management channel on the boom arm, designed to conceal the microphone cable for a clean setup.

- 5. Connect RGB Power:** Connect the provided USB-A to Type-C cable to the Type-C port on the boom arm and plug the USB-A end into a compatible USB power source (e.g., computer USB port, USB wall adapter). The RGB lights will illuminate upon connection.

Note: No official seller installation videos were available in the provided product data. Please refer to the detailed text instructions and diagrams for setup.

4. OPERATING INSTRUCTIONS

4.1 Adjusting the Boom Arm

The TONOR T90 boom arm offers extensive adjustability for optimal microphone positioning:

- **Rotation:** The arm can rotate 360° at its base, allowing you to swing the microphone into various positions.
- **Stretch and Angle:** The arm features 180° stretch capability and adjustable angles (10-130°) at its joints, enabling precise placement of your microphone.

4.2 RGB Light Control

The RGB lighting system offers 11 distinct light modes to customize your environment:

- **Change Light Mode:** Short tap the touch-sensitive area on the boom arm to cycle through the 11 available light modes.
- **Turn On/Off:** Long tap the touch-sensitive area for 3 seconds to turn the RGB lights on or off.



Image: A detailed view of the boom arm's control area, indicating where to short tap to switch light modes and long tap to turn the RGB effects on/off.

5. MAINTENANCE

To ensure the longevity and optimal performance of your TONOR T90 RGB Boom Arm, follow these maintenance guidelines:

- **Cleaning:** Wipe the boom arm and clamp with a soft, dry cloth to remove dust and fingerprints. Avoid using abrasive cleaners or solvents, as they may damage the finish or electronic components.
- **Joints and Screws:** Periodically check all joints and screws to ensure they are securely tightened. If any part feels loose, gently tighten it. Do not overtighten.

- **Cable Inspection:** Inspect the USB-A to Type-C cable for any signs of wear or damage. Replace the cable if necessary to prevent power issues.
- **Storage:** When not in use for extended periods, store the boom arm in a clean, dry environment to protect it from dust and moisture.

6. TROUBLESHOOTING

If you encounter any issues with your TONOR T90 RGB Boom Arm, please refer to the following common troubleshooting steps:

Problem	Possible Cause	Solution
RGB lights are not turning on.	<ul style="list-style-type: none"> • USB cable not properly connected. • Power source issue. • RGB function is off. 	<ul style="list-style-type: none"> • Ensure the USB-A to Type-C cable is securely connected to both the boom arm and the power source. • Try a different USB port or power adapter. • Long tap the touch-sensitive area for 3 seconds to turn on the RGB lights.
RGB lights are not changing modes.	<ul style="list-style-type: none"> • Incorrect tapping method. 	<ul style="list-style-type: none"> • Ensure you are performing a short tap on the touch-sensitive area to cycle through modes.
Boom arm is not holding position or sags.	<ul style="list-style-type: none"> • Clamp not tightened sufficiently. • Microphone weight exceeds maximum load capacity. • Joints are loose. 	<ul style="list-style-type: none"> • Re-tighten the desk clamp securely. • Ensure your microphone's weight does not exceed 4.4 lbs (2 kg). • Check and tighten the screws at the arm's joints.

If the problem persists after trying these solutions, please contact TONOR customer support for further assistance.

7. SPECIFICATIONS

Feature	Detail
Brand	TONOR
Model Number	T90
Material Type	Acrylonitrile Butadiene Styrene (ABS), Alloy Steel
Item Weight	1.54 pounds (700 Grams)
Product Dimensions (L x W x H)	17.39 x 12.25 x 2.37 inches
Max Load Capacity	4.4 lbs (2 kg)
Rotation Angle	360°
Stretch Angle	180°
Adjustable Angle (Joints)	10-130°

Feature	Detail
Compatible Devices	Microphones with 5/8" screw
Connector Type	USB A (for RGB power)
Voltage	5V
Wattage	5W
Color	Grey
Date First Available	March 8, 2023

8. WARRANTY AND SUPPORT

TONOR provides a **2-year warranty** for the T90 RGB Boom Arm, covering manufacturing defects and issues arising from normal use. Please retain your proof of purchase for warranty claims.

For technical support, warranty inquiries, or any other assistance, please contact TONOR customer support:

- **Email:** support@tonormic.com
- **Website:** www.tonormic.com



Image: The side of the product packaging, displaying the official TONOR support email and website for customer assistance.