

Manuals+

[Q & A](#) | [Deep Search](#) | [Upload](#)

manuals.plus /

- › [vidaXL](#) /
- › [vidaXL Sonoma Bookcase Model 819310 Instruction Manual](#)

vidaXL 819310

vidaXL Sonoma Bookcase Model 819310 Instruction Manual

Model: 819310 | Brand: vidaXL

1. INTRODUCTION

This manual provides essential instructions for the assembly, operation, and maintenance of your vidaXL Sonoma Bookcase, Model 819310. Please read this manual thoroughly before assembly and use to ensure safe and correct operation.



Image 1.1: Front view of the vidaXL Sonoma Bookcase. This image displays the overall design of the bookcase with its three shelves and metal frame.

2. SAFETY INFORMATION

- **Wall Mounting:** To prevent tipping, this product **must** be used with the supplied wall mounting device. Failure to do so can result in serious injury.
- **Assembly:** Ensure all parts are correctly assembled according to the instructions. Do not overtighten screws.
- **Weight Capacity:** Do not exceed the maximum weight capacity per shelf. Distribute weight evenly.
- **Placement:** Place the bookcase on a flat, stable surface. Avoid placing it in areas with high humidity or direct sunlight.
- **Children:** Keep small parts away from children during assembly. Do not allow children to climb on the bookcase.

3. PACKAGE CONTENTS

Before beginning assembly, verify that all components listed below are present and undamaged. If any parts are missing or damaged, please contact customer support.

- Engineered Wood Shelves (3x)
- Steel Frame Components
- Assembly Hardware (screws, bolts, etc.)
- Wall Mounting Device
- Assembly Manual (separate document)

4. SETUP AND ASSEMBLY

The vidaXL Sonoma Bookcase requires assembly. A detailed assembly manual is included in the product packaging. Please follow the step-by-step instructions provided in that manual for proper construction.

4.1 General Assembly Guidelines

1. **Unpack:** Carefully unpack all components and lay them out on a clean, soft surface to prevent scratches.
2. **Identify Parts:** Refer to the parts list in the separate assembly manual to identify each component.
3. **Tools:** Ensure you have the necessary tools (e.g., screwdriver, hammer) as specified in the assembly manual.
4. **Follow Steps:** Assemble the frame first, then attach the shelves. Ensure all connections are secure but do not overtighten.
5. **Wall Attachment:** Once assembled, secure the bookcase to a wall using the provided anti-tip device. This is crucial for stability and safety.

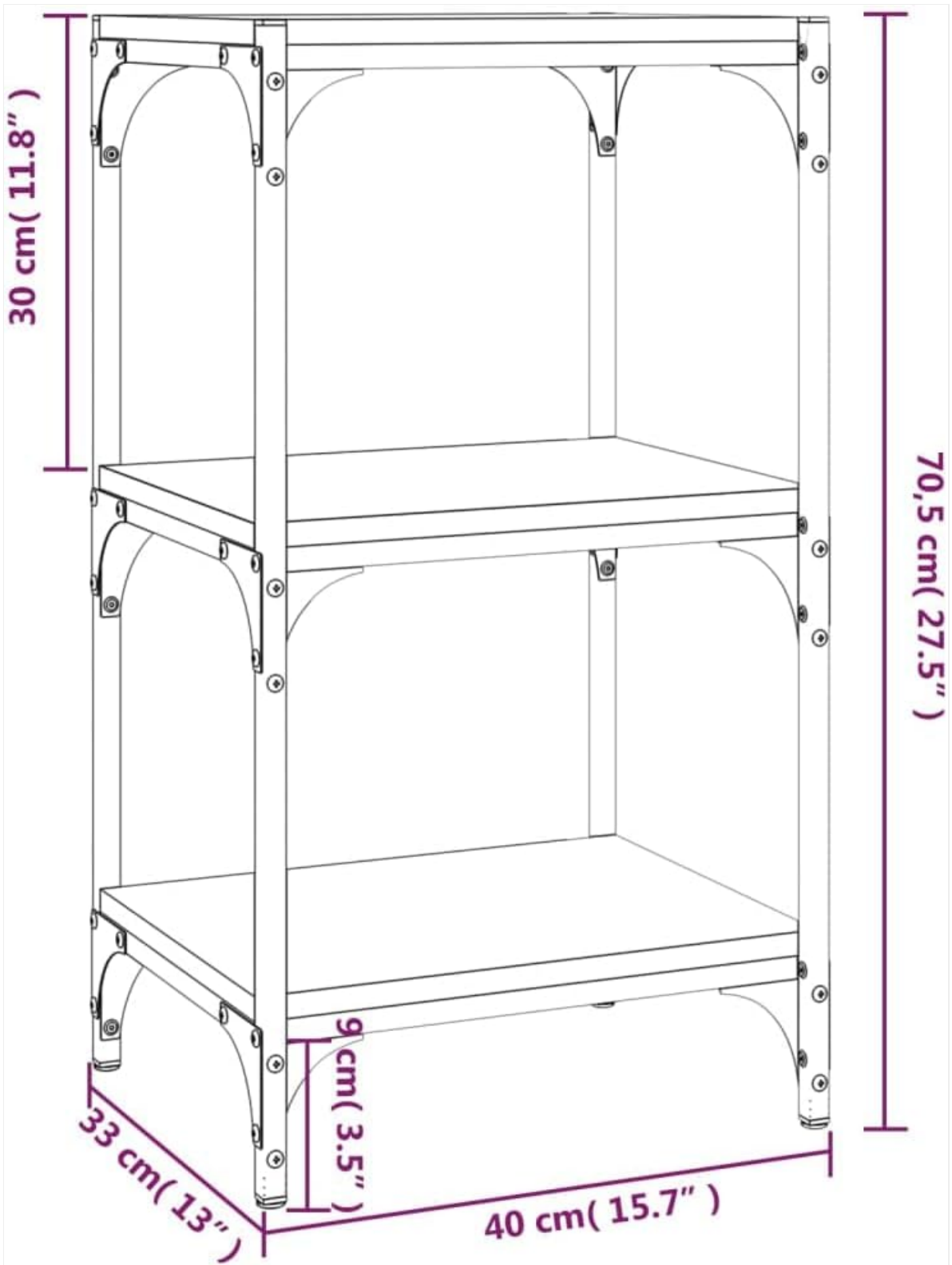


Image 4.1: Dimensional diagram of the bookcase. This image illustrates the width (40 cm / 15.7"), depth (33 cm / 13"), and height (70.5 cm / 27.5") of the assembled unit, along with shelf spacing.

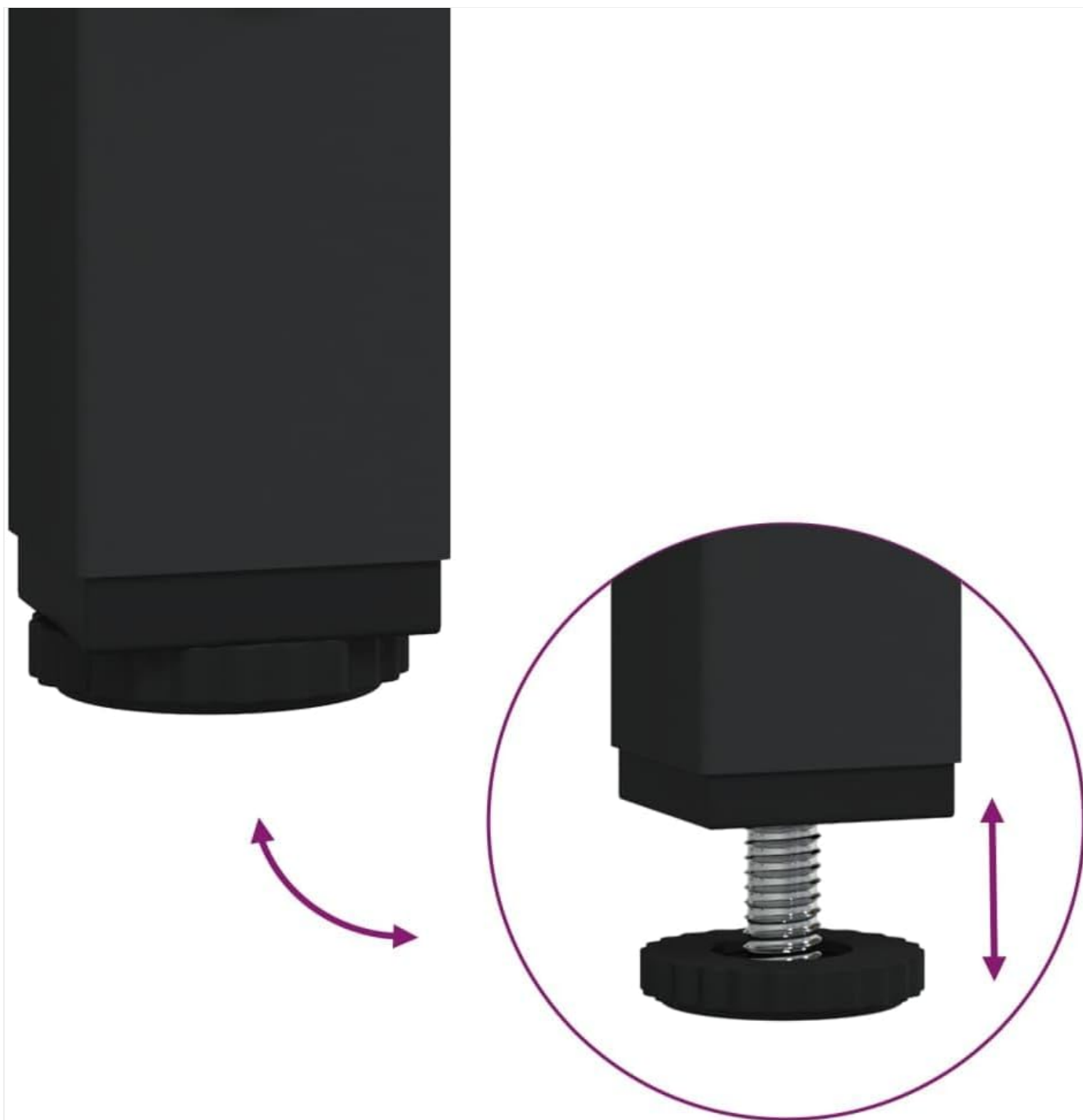


Image 4.2: Detail of the adjustable foot. This image shows how the adjustable feet can be used to level the bookcase on uneven surfaces.

5. OPERATION AND USAGE

The vidaXL Sonoma Bookcase is designed for storing books, decorative items, media devices, and other household goods. Its robust design allows for versatile use.

- **Loading Shelves:** Distribute weight evenly across the shelves. Place heavier items on lower shelves for better stability.
- **Adjustable Feet:** Use the adjustable feet at the bottom of the bookcase to ensure it stands level on uneven floors. Rotate the feet clockwise or counter-clockwise to adjust height.
- **Versatile Use:** This unit can function as a traditional bookcase, a display shelf, or even a compact media stand for small devices.



Image 5.1: Bookcase in a home environment. This image shows the bookcase positioned next to a window, holding books, a plant, and other decorative items, demonstrating its practical application.

6. MAINTENANCE AND CARE

Proper care will extend the lifespan and maintain the appearance of your bookcase.

- **Cleaning:** Wipe surfaces with a soft, damp cloth. Avoid abrasive cleaners or harsh chemicals that could damage the engineered wood or steel finish.
- **Dusting:** Regularly dust the shelves and frame to prevent buildup.
- **Spills:** Clean up spills immediately to prevent moisture damage to the engineered wood.
- **Inspection:** Periodically check all screws and connections to ensure they remain tight. Retighten if necessary.

7. TROUBLESHOOTING

Problem	Possible Cause	Solution
Bookcase is wobbly or unstable.	Uneven floor; loose connections; not wall-mounted.	Adjust the leveling feet. Check and tighten all screws. Ensure the anti-tip device is securely installed to a wall stud.
Parts do not fit during assembly.	Incorrect orientation; wrong parts used.	Refer to the assembly manual and double-check part numbers and orientation. Do not force parts together.
Scratches or damage during assembly.	Lack of protective surface during assembly.	Always assemble on a soft, clean surface (e.g., carpet, blanket).

8. SPECIFICATIONS

Feature	Detail
Brand	vidaXL
Model Number	819310
Dimensions (W x D x H)	40 x 33 x 70.5 cm (15.75 x 12.99 x 27.76 inches)
Color	Sonoma Grey
Material	Engineered Wood, Steel
Number of Shelves	3
Assembly Required	Yes

9. WARRANTY INFORMATION

For specific warranty details regarding your vidaXL product, please refer to the warranty card included in your product packaging or visit the official vidaXL website. Keep your proof of purchase for any warranty claims.

10. CUSTOMER SUPPORT

If you have any questions, require assistance with assembly, or need to report missing/damaged parts, please contact vidaXL customer support:

- **Website:** www.vidaxl.com/customer-service
- **Email:** Refer to the official website for contact email.
- **Phone:** Refer to the official website for contact phone numbers.

Please have your model number (819310) and purchase information ready when contacting support.