

## Polibi Twin-Over-Full Bunk Bed with Trundle

# Polibi Twin-Over-Full Wooden Bunk Bed with Trundle Instruction Manual

Model: Twin-Over-Full Bunk Bed with Trundle

Brand: Polibi

## 1. IMPORTANT SAFETY INFORMATION

Please read and understand all instructions before beginning assembly and use. Keep this manual for future reference.

- Be cautious when using the trundle bed to avoid pinching fingers.
- Ensure the mattress on the upper bunk is securely fastened to prevent shifting.
- Do not exceed the weight limit of 250 lbs on the upper bunk.
- The bottom bunk has a weight capacity of 450 lbs.
- The trundle bed has a weight capacity of 300 lbs.
- Recommended mattress thickness: Upper bed: 6 inches; Bottom bed: 6-8 inches; Trundle: 6 inches.
- Always use the provided guardrails on the upper bunk.
- Periodically check all connections and tighten hardware as needed.

## 2. PRODUCT OVERVIEW

The Polibi Twin-Over-Full Wooden Bunk Bed with Trundle is designed to provide versatile sleeping arrangements. It features a twin-size upper bunk, a full-size lower bunk, and a pull-out twin-size trundle bed. The unit can also be separated into two individual beds (one twin loft bed and one full-size bed).



**Figure 2.1:** Assembled Polibi Twin-Over-Full Bunk Bed with Trundle. This image shows the complete bunk bed unit with the trundle bed pulled out, ready for use.



Figure 2.2: Front view of the Polibi Bunk Bed, showcasing the ladder and guardrails.

### 3. ASSEMBLY INSTRUCTIONS (SETUP)

Assembly is required. It is recommended that two adults assemble this product. Ensure all parts are present before beginning. Do not use power tools for assembly as this may overtighten and damage the wood.

#### 3.1. Package Contents

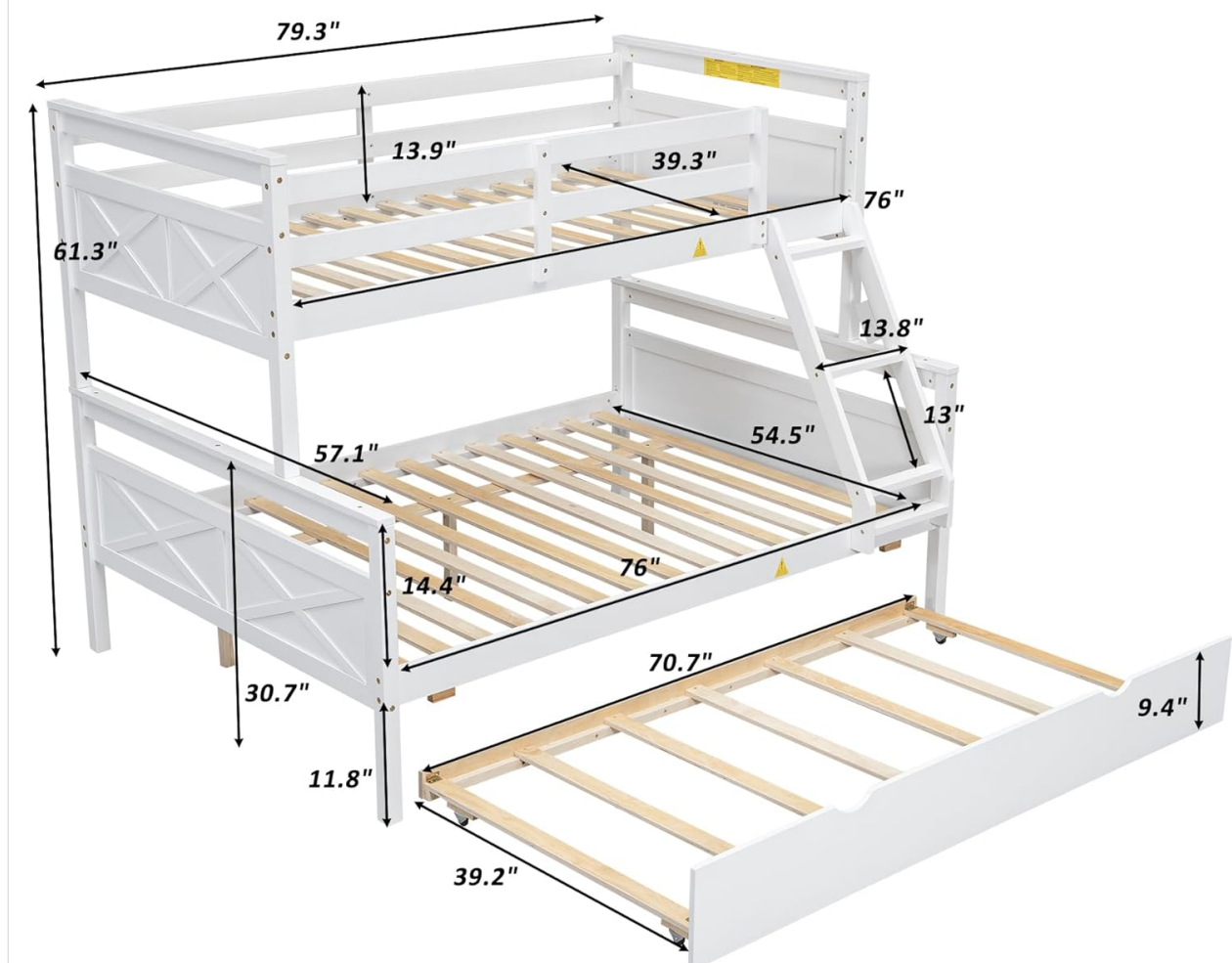
Verify that all components are included in your package. Refer to the parts list provided in your packaging for exact quantities. Typical components include:

- Bed frames (headboards, footboards, side rails)
- Ladder components
- Guardrails
- Slat kits for upper, lower, and trundle beds
- Trundle bed frame and casters
- Hardware pack (bolts, nuts, washers, Allen wrench)

## 3.2. Step-by-Step Assembly

1. **Unpack and Organize:** Carefully unpack all components and lay them out on a clean, soft surface (e.g., a rug or blanket) to prevent scratching. Group similar parts and hardware.
2. **Assemble Trundle Bed:** Begin by assembling the trundle bed frame. Attach the casters to the trundle frame according to the instructions in your specific parts diagram. Insert the trundle slats.
3. **Assemble Lower Bed:** Connect the side rails to the headboard and footboard of the full-size lower bed using the provided hardware. Ensure all connections are secure but do not fully tighten until all parts are aligned. Insert the full-size bed slats.
4. **Assemble Upper Bed:** Connect the side rails to the headboard and footboard of the twin-size upper bed. Attach the guardrails to the upper bed frame. Insert the twin-size bed slats.
5. **Attach Ladder:** Securely attach the ladder to the designated side of the upper bunk, ensuring it is stable and safe for climbing.
6. **Stack Beds:** Carefully lift the assembled upper twin bed and place it onto the assembled lower full bed, aligning the connecting posts. Secure the upper bed to the lower bed using the provided hardware.
7. **Final Tightening:** Once all components are assembled and aligned, systematically tighten all bolts and screws. Do not overtighten.
8. **Insert Trundle:** Slide the assembled trundle bed under the lower bunk.

**size:inch**



**Figure 3.1:** Detailed dimensions of the Polibi Bunk Bed and Trundle. This diagram provides measurements for each section,

crucial for assembly and space planning.



**Figure 3.2:** Exploded view of the Polibi Bunk Bed components, showing the separate trundle unit and bed frames before assembly.

## 4. OPERATING INSTRUCTIONS

### 4.1. Using the Bunk Bed

- **Upper Bunk:** Access the upper bunk using the integrated ladder. Always ensure the guardrails are properly installed and secure.
- **Lower Bunk:** The full-size lower bunk provides ample sleeping space.

### 4.2. Using the Trundle Bed

- To use the trundle bed, gently pull it out from under the lower bunk. The casters allow for easy movement.
- To store, push the trundle bed back under the lower bunk until it is fully recessed.



**Figure 4.1:** The trundle bed fully extended from beneath the lower bunk, demonstrating its functionality.

### 4.3. Converting to Two Separate Beds

This bunk bed can be converted into two individual beds. This process requires partial disassembly and reassembly.

1. **Disassemble:** Carefully remove the hardware connecting the upper bunk to the lower bunk. Detach the ladder and guardrails from the upper bunk.
2. **Separate:** Gently lift the upper twin bed off the lower full bed.
3. **Reassemble (if needed):** If the upper bed is to be used as a standalone twin bed, ensure all necessary end panels and supports are attached to form a complete bed frame. The lower bed will function as a standalone full bed.



Figure 4.2: The Polibi Bunk Bed separated into a twin bed and a full bed, demonstrating its convertible feature.

## 5. MAINTENANCE AND CARE

- **Cleaning:** Wipe surfaces with a soft, damp cloth. Avoid harsh chemicals or abrasive cleaners that may damage the finish.
- **Hardware Check:** Periodically inspect all bolts, screws, and connections to ensure they are tight. Retighten as necessary to maintain structural integrity and safety.
- **Wood Care:** Protect the wood from extreme temperature changes and direct sunlight to prevent warping or fading.
- **Mattress Support:** Ensure slats are evenly spaced and securely in place to provide proper mattress support.

## 6. TROUBLESHOOTING

- **Bed feels wobbly:**
  - Check all bolts and screws. Ensure they are fully tightened.
  - Verify that all components are correctly assembled according to the instructions.
- **Trundle bed does not slide smoothly:**
  - Inspect the casters for any obstructions or damage.
  - Ensure the floor surface is clear and even.
- **Missing parts:**

- Refer to the parts list in your packaging. Contact customer support with the specific part number for assistance.

## 7. SPECIFICATIONS

Feature	Detail
Brand	Polibi
Model	Twin-Over-Full Bunk Bed with Trundle
Color	White
Product Dimensions	78.7"L x 96.5"W x 62.3"H
Upper Bunk Weight Capacity	250 lbs
Bottom Bunk Weight Capacity	450 lbs
Trundle Weight Capacity	300 lbs
Recommended Upper Mattress Thickness	6 inches
Recommended Bottom Mattress Thickness	6-8 inches
Recommended Trundle Mattress Thickness	6 inches
Material	Solid Pine Wood and MDF
Assembly Required	Yes
UPC	196986145511
ASIN	B0BR7HR4FC





Figure 7.1: Side view of the Polibi Bunk Bed, highlighting the sturdy construction and guardrail design.

## 8. WARRANTY AND SUPPORT

Polibi products are manufactured with quality and care. For specific warranty information, please refer to the documentation included with your purchase or visit the official Polibi website.

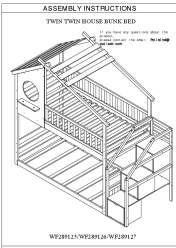
If you encounter any issues or have questions regarding your Polibi Twin-Over-Full Wooden Bunk Bed with Trundle, please contact Polibi Customer Support:

- **Online Support:** Visit the [Polibi Brand Store on Amazon](#) for FAQs and contact options.
- **Email/Phone:** Refer to your product packaging or the Polibi website for the most current contact information.



[Assembly Instructions: Polibi Twin/Full Bunk Bed with Desk \(WF290950, WF290951\)](#)

Comprehensive assembly guide for the Polibi Twin/Full Bunk Bed with Desk, featuring model numbers WF290950 and WF290951. Includes detailed safety warnings, a complete parts list, hardware inventory, and step-by-step visual instructions with textual descriptions.



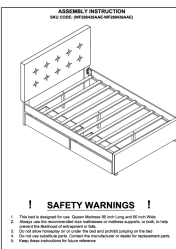
[Twin Twin House Bunk Bed Assembly Instructions](#)

Comprehensive assembly instructions for the Twin Twin House Bunk Bed, including safety warnings, parts list, hardware list, and step-by-step assembly diagrams with detailed textual descriptions.



[Assembly Instructions for WF197908/WF197909 Bunk Bed](#)

Detailed assembly instructions for the WF197908/WF197909 bunk bed, including part lists, hardware details, and step-by-step guidance. Learn how to assemble your bunk bed safely and correctly.



[Assembly Instructions for Queen Size Upholstered Wood Platform Bed with Headboard and 2 Drawers](#)

Step-by-step assembly instructions for a gray queen size upholstered wood platform bed with a headboard and two drawers. Includes safety warnings, part lists, hardware lists, and assembly steps.



[Polibi Loft Bed Assembly Instructions \(WF301849/301850\)](#)

Detailed assembly instructions for the Polibi Loft Bed, model numbers WF301849 and WF301850. Includes safety warnings, parts list, hardware list, and step-by-step guidance for building the metal house bunk bed with slide and staircase.



[Assembly Instructions: King Size Platform Bed \(SKU: WF283526\)](#)

Comprehensive assembly instructions for a King Size Solid Wood Platform Bed, including a detailed parts list, hardware specifications, and step-by-step visual guidance. Safety warnings and essential assembly tips are provided for a smooth setup.