

Feandrea PCT192W01

Feandrea Cat Tree PCT192W01 Instruction Manual

Model: PCT192W01 | Brand: Feandrea

INTRODUCTION

Thank you for choosing the Feandrea Cat Tree, Model PCT192W01. This multi-level cat tree is designed to provide your feline companions with a dedicated space for playing, scratching, climbing, and resting. Please read this manual carefully before assembly and use to ensure safe operation and optimal enjoyment for your cats.

SAFETY INSTRUCTIONS

- Ensure all parts are securely fastened during assembly.
- Place the cat tree on a flat, stable surface to prevent wobbling.
- Utilize the included anti-tipping kit to secure the cat tree to a wall, especially if you have active or multiple cats.
- Regularly check for loose parts or damage. Tighten screws and replace damaged components immediately.
- This cat tree is designed for indoor use only. Avoid exposure to moisture.
- Maximum capacity: Supports up to 5 cats, with a maximum weight of 5 kg per cat.
- Keep children away from the cat tree during assembly.

PACKAGE CONTENTS

Before beginning assembly, please verify that all components are present and undamaged. Refer to the included parts list in your package for detailed identification.

- Baseboard and various platforms
- Scratching posts (covered with sisal rope)
- Cat condos/houses

- Hammock
- Dangling pom-poms (including 2 replacement pom-poms without bells)
- Assembly hardware (screws, bolts, washers)
- Assembly tool (Allen key)
- Anti-tipping kit

SETUP AND ASSEMBLY

Assembly of the Feandrea Cat Tree PCT192W01 is designed to be straightforward. All screws are uniform, and an assembly tool (Allen key) is provided. Follow the step-by-step instructions provided in your product packaging. For visual guidance, refer to the diagrams below.

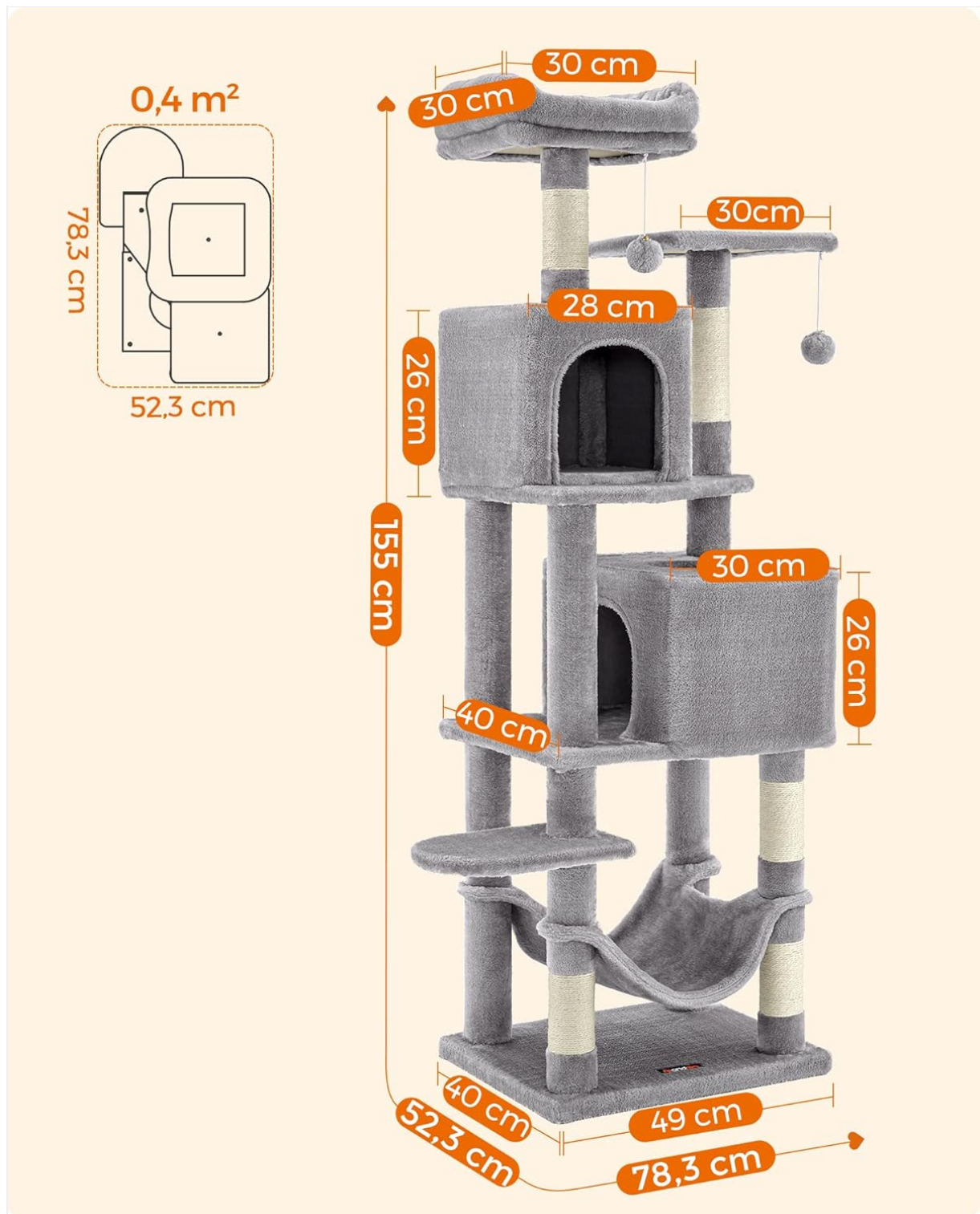


Figure 1: Cat Tree Dimensions. This diagram illustrates the overall dimensions of the cat tree, including height, width, and depth, along with individual platform and condo measurements.



Figure 2: Cat Activity Flow. This image highlights the various levels and features of the cat tree, showing potential paths and areas for cats to explore and interact with.

Key Assembly Steps:

1. Unpack all components and lay them out, comparing them with the parts list.
2. Attach the scratching posts to the baseboard using the provided screws.
3. Mount the lower platforms and cat condos, ensuring they are stable.
4. Install the hammock and upper platforms.
5. Secure the top platform and any remaining scratching posts.

6. Attach the dangling pom-poms to the designated areas.
7. Finally, install the anti-tipping kit by securing it to a wall stud for enhanced stability.

OPERATING AND USAGE

The Feandrea Cat Tree PCT192W01 offers a variety of features designed to enrich your cat's environment:

- **Multi-Level Design:** Encourages climbing and provides elevated vantage points, catering to cats' natural instincts for exploration and observation.
- **Two Platforms and Two Cat Condos:** Provides ample space for multiple cats to observe their surroundings, nap, or hide.
- **Scratching Posts:** Multiple posts covered with durable sisal rope allow cats to satisfy their natural urge to scratch, helping to protect your furniture.
- **Hammock:** A comfortable spot for relaxation and napping.
- **Dangling Pom-Poms:** Two suspended pom-poms stimulate hunting instincts and provide interactive play. Two replacement pom-poms without bells are included for quieter play or if the original ones wear out.



Figure 3: Cats Utilizing the Cat Tree. This image shows several cats interacting with different parts of the cat tree, including the platforms, condos, and dangling toys.

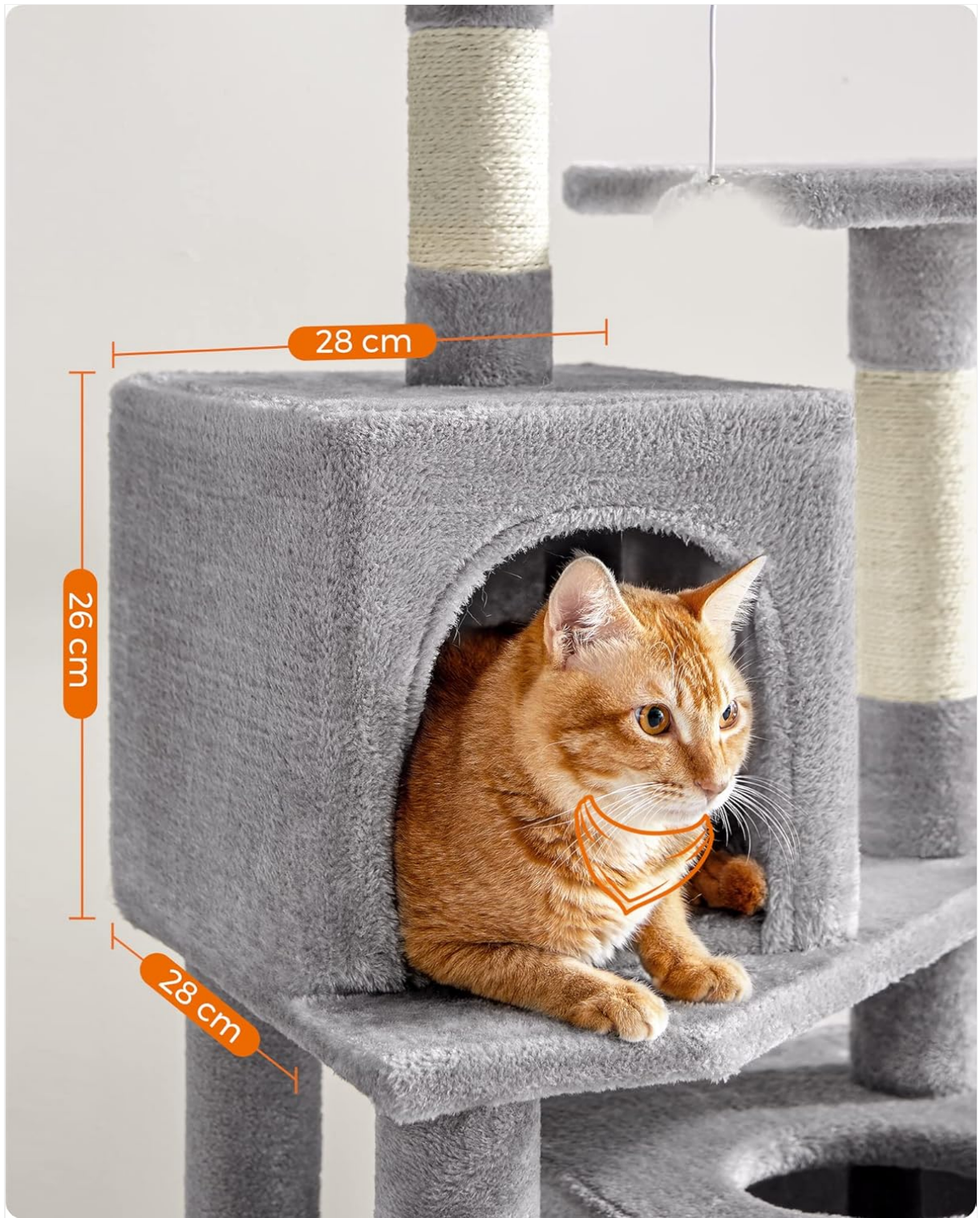


Figure 4: Cat Condo Detail. A close-up view of a cat comfortably resting inside one of the cat tree's enclosed condos, highlighting its dimensions.



Figure 5: Top Platform Comfort. An overhead shot of a cat enjoying the soft, elevated top platform, demonstrating a comfortable resting spot.

MAINTENANCE

Regular maintenance will extend the lifespan of your cat tree and keep it hygienic for your pets.

- **Cleaning:** For pet hair, dirt, or debris, use a lint roller or a vacuum cleaner with a brush attachment. For minor stains, gently wipe with a damp cloth and allow to air dry completely. Avoid harsh chemicals.
- **Inspection:** Periodically check all screws and connections to ensure they remain tight. Re-tighten as necessary.
- **Damage:** Inspect sisal scratching posts for wear and tear. While replacement pom-poms are provided, severely damaged parts should be replaced to maintain safety and functionality.

- **Storage:** If storing the cat tree, ensure it is clean and dry. Store indoors in a cool, dry place to prevent material degradation.



Figure 6: Cleaning the Cat Tree. This image demonstrates the use of a vacuum cleaner to remove pet hair and debris from the plush surfaces of the cat tree.

TROUBLESHOOTING

Problem	Possible Cause	Solution
Cat tree is wobbly or unstable.	Loose screws; uneven floor; anti-tipping kit not installed.	Tighten all screws. Move to a flat surface. Install the anti-tipping kit securely to a wall stud.
Cats are not using the scratching posts.	Preference for other surfaces; unfamiliarity.	Encourage use by placing catnip on the posts. Gently guide your cat's paws to the sisal.
Dangling pom-poms are damaged or missing.	Normal wear and tear from play.	Replace with the included spare pom-poms.
Difficulty during assembly.	Incorrect part orientation; missing a step.	Refer to the detailed assembly instructions and diagrams. Ensure parts are oriented correctly.

SPECIFICATIONS

- **Model:** PCT192W01
- **Item Model Number:** 0194343042206
- **Brand:** Feandrea
- **Color:** Light Grey
- **Size:** L (49 x 40 x 155 cm)
- **Product Dimensions (L x W x H):** 49 x 40 x 155 cm
- **Product Weight:** 14.1 Kilograms
- **Material:** Particleboard, plush fabric, sisal
- **Recommended for Species:** Small Breeds

- **Specific Uses:** Scratching, playing, resting
- **Special Feature:** Anti-tipping kit included
- **Mounting Type:** Floor Mount (with optional wall anchor)
- **Care Instructions:** Clean with a dry or damp cloth. Store indoors.
- **Country of Origin:** China

WARRANTY AND SUPPORT

Specific warranty information for the Feandrea Cat Tree PCT192W01 is not provided in the product details. For any questions regarding warranty, missing parts, or assembly assistance, please contact Feandrea customer support through your retailer or the official Feandrea website.