



[Manuals.plus](#) /

› [Topeakmart](#) /

› Topeakmart 72in Multi-Level Cat Tree Instruction Manual

Topeakmart TP-00119330-72

Topeakmart 72in Multi-Level Cat Tree Instruction Manual

Model: TP-00119330-72

INTRODUCTION

This manual provides detailed instructions for the assembly, operation, and maintenance of your Topeakmart 72-inch Multi-Level Cat Tree. Designed for indoor cats, this activity center offers multiple platforms, scratching posts, and cozy spaces for play and rest. Please read these instructions carefully before assembly and use to ensure safe and proper installation.



Image: The Topeakmart 72-inch Multi-Level Cat Tree, dark gray, shown in a living room setting with cats interacting with its various levels and features.

SAFETY PRECAUTIONS

- Ensure all parts are securely fastened before allowing pets to use the cat tree.
- Place the cat tree on a flat, stable surface to prevent wobbling.
- Utilize the included wall anchor strap for enhanced stability, especially in multi-cat households or with active cats.
- Regularly inspect the cat tree for loose parts or damage. Tighten screws and replace damaged components as needed.
- Keep small children away from the cat tree during assembly and ensure they do not climb on it.



Image: A diagram illustrating the proper installation of the wall anchor strap to secure the cat tree to a wall, enhancing stability.

SETUP AND ASSEMBLY

Assembly of the Topeakmart 72in Cat Tree is designed to be straightforward. Follow the included graphical instructions carefully. All necessary components are provided.

Components Overview:

- Reinforced rectangular baseboard
- Multiple sisal scratching posts
- Two cozy cat condos
- Two well-padded cat-ear-shaped perches
- One top platform

- One ladder
- Detachable hanging ball toy
- Wall anchor strap for stability

Assembly Steps:

1. Unpack all components and verify against the parts list in your separate assembly guide.
2. Begin by attaching the lowest posts and condos to the baseboard.
3. Progress upwards, securing platforms, additional posts, and the ladder.
4. Install the perches and top platform last.
5. Attach the hanging ball toy to the designated area.
6. Once fully assembled, position the cat tree in your desired location.
7. Secure the cat tree to a wall using the provided wall anchor strap and hardware for maximum stability.



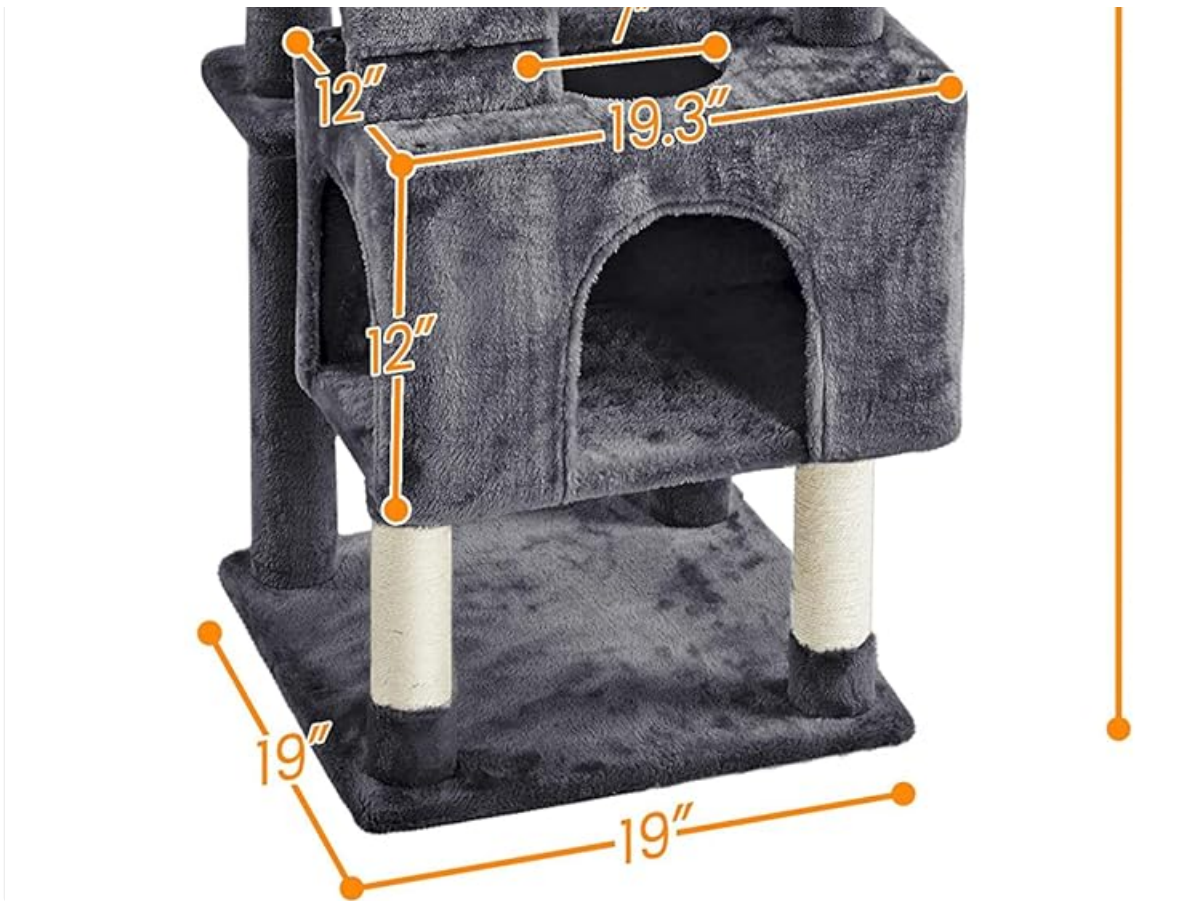


Image: An annotated diagram displaying the overall dimensions and individual component measurements of the cat tree.

OPERATING INSTRUCTIONS

The Topeakmart 72in Cat Tree is designed to provide a stimulating and comfortable environment for your cats. No complex operation is required; simply allow your cats to explore and enjoy its features.

Key Features and Usage:

- **Multi-Level Design:** Cats can climb, jump, and explore different heights, satisfying their natural instincts.
- **Scratching Posts:** The sisal-wrapped posts provide an appropriate surface for cats to sharpen their claws, helping to protect your furniture.
- **Cozy Condos:** Enclosed spaces offer secure and private spots for napping and hiding.
- **Perches:** Elevated perches allow cats to observe their surroundings from a comfortable vantage point.
- **Ladder:** Facilitates easy access between levels, especially for younger or less agile cats.
- **Hanging Toy:** The detachable ball toy encourages playful interaction and exercise.



Image: A composite image showing cats utilizing the different elements of the cat tree, such as resting on perches, hiding in condos, and scratching posts.



Image: An orange cat carefully descending the carpeted ladder, demonstrating access between the cat tree's levels.

MAINTENANCE AND CARE

Proper maintenance ensures the longevity and safety of your cat tree.

- **Cleaning:** The plush fabric covering can be spot cleaned with a damp cloth and mild detergent. For deeper cleaning, the manufacturer recommends *Hand Wash Only* for removable fabric components, if applicable. Avoid harsh chemicals.
- **Sisal Posts:** Periodically check the sisal rope for wear and tear. While durable, heavily used areas may fray over time.
- **Structural Integrity:** Regularly check all screws and connections. Tighten any loose fasteners to maintain stability.
- **Damage Inspection:** Inspect for any damage to platforms, condos, or posts. Replace severely damaged parts to prevent injury to your pets.



Image: Details of the cat tree's materials: natural sisal rope for scratching, eco-healthy particle board for structure, and soft plush fabric for comfort.

TROUBLESHOOTING

Problem	Possible Cause	Solution
Cat tree wobbles	Loose connections; uneven floor; not anchored to wall.	Tighten all screws. Ensure the tree is on a level surface. Use the wall anchor strap for added stability.
Cats not using scratching posts	Preference for other surfaces; unfamiliarity.	Encourage use by placing catnip on posts or gently guiding paws. Ensure posts are stable.
Hanging toy detached	Excessive play; worn attachment.	Reattach securely. If damaged, replace the toy.

SPECIFICATIONS

Feature	Detail
Model Number	TP-00119330-72
Product Dimensions (L x W x H)	19" x 19" x 72"
Item Weight	33.02 Pounds
Material	Particle Board, Plush, Sisal
Color	Dark Gray
Number of Levels	4
Mounting Type	Floor Mount (with optional wall anchor)
Recommended Uses	Indoor use for cats of all life stages and breed sizes.
Care Instructions	Hand Wash Only (for removable fabric parts)

WARRANTY INFORMATION

Specific warranty details for the Topeakmart 72in Multi-Level Cat Tree are not provided in this manual. Please refer to your purchase documentation or contact Topeakmart customer support for information regarding product warranty.

CUSTOMER SUPPORT

For any questions, concerns, or assistance with your Topeakmart 72in Multi-Level Cat Tree, please contact Topeakmart customer support. Contact information can typically be found on the product packaging or the official Topeakmart website.
Manufacturer: Topeakmart

