



Manuals.plus /

› Medacure /

› Medacure Ultra Low Adjustable Hospital Bed User Manual

Medacure Ultra Low Adjustable Hospital Bed

Medacure Ultra Low Adjustable Hospital Bed User Manual

Model: Ultra Low Adjustable Hospital Bed

INTRODUCTION

This manual provides essential information for the safe and effective operation, assembly, and maintenance of your Medacure Ultra Low Adjustable Hospital Bed. Please read this manual thoroughly before using the bed to ensure proper function and patient safety.

SAFETY INFORMATION

Always prioritize safety when operating or maintaining the hospital bed. Failure to follow safety guidelines can result in injury or damage to the equipment.

- Ensure all locking casters are engaged when the bed is stationary to prevent unintended movement.
- Do not exceed the maximum weight capacity of 450 lbs.
- Keep hands and feet clear of moving parts during bed adjustments.
- Regularly inspect all electrical cords and connections for damage. Discontinue use if damage is found and contact qualified service personnel.
- Ensure the patient is positioned safely on the bed before making any adjustments.
- The Q-Bar safety rails are designed for fall prevention and assistance; ensure they are securely clamped.

COMPONENTS OVERVIEW

Your Medacure Ultra Low Adjustable Hospital Bed system includes the following main components:

- Adjustable Bed Frame (with integrated Linak actuators and controls)
- 42" Premium Foam Mattress
- 8-Function Hand Pendant Remote Controller
- Quick-Release Head and Foot Boards
- Q-Bar Safety Rails (1 pair included)
- 8 x 3" Locking Casters (4 locking, 4 swivel)

- Corner Mattress Retainers
- IV Sockets on Bed Corners



Figure 1: Overview of the Medacure Ultra Low Adjustable Hospital Bed with mattress and Q-Bar safety rails.

SETUP AND ASSEMBLY

The Medacure Ultra Low Adjustable Hospital Bed is designed for straightforward assembly. It is recommended that two people assemble the bed for ease and safety.

1. **Unpack Components:** Carefully remove all components from the packaging. Verify all parts listed in the "Components Overview" section are present.
2. **Position Bed Frame:** Place the main bed frame in the desired location. Ensure there is adequate space around the bed for operation and maintenance.
3. **Install Head and Foot Boards:** Attach the quick-release head and foot boards to the designated slots on the bed frame. Ensure they are securely locked into place.
4. **Install Q-Bar Safety Rails:** Clamp the Q-Bar safety rails onto the bed frame as desired. Ensure they are firmly

secured and do not wobble.

5. **Place Mattress:** Carefully place the 42" Premium Foam Mattress onto the bed frame. Ensure it is centered and the corner mattress retainers are properly positioned to hold it in place.
6. **Connect Power:** Plug the bed's power cord into a grounded electrical outlet.
7. **Test Functions:** Before patient use, test all functions of the hand pendant to ensure the bed adjusts smoothly and correctly.

Super Low & Ultra Wide Bed

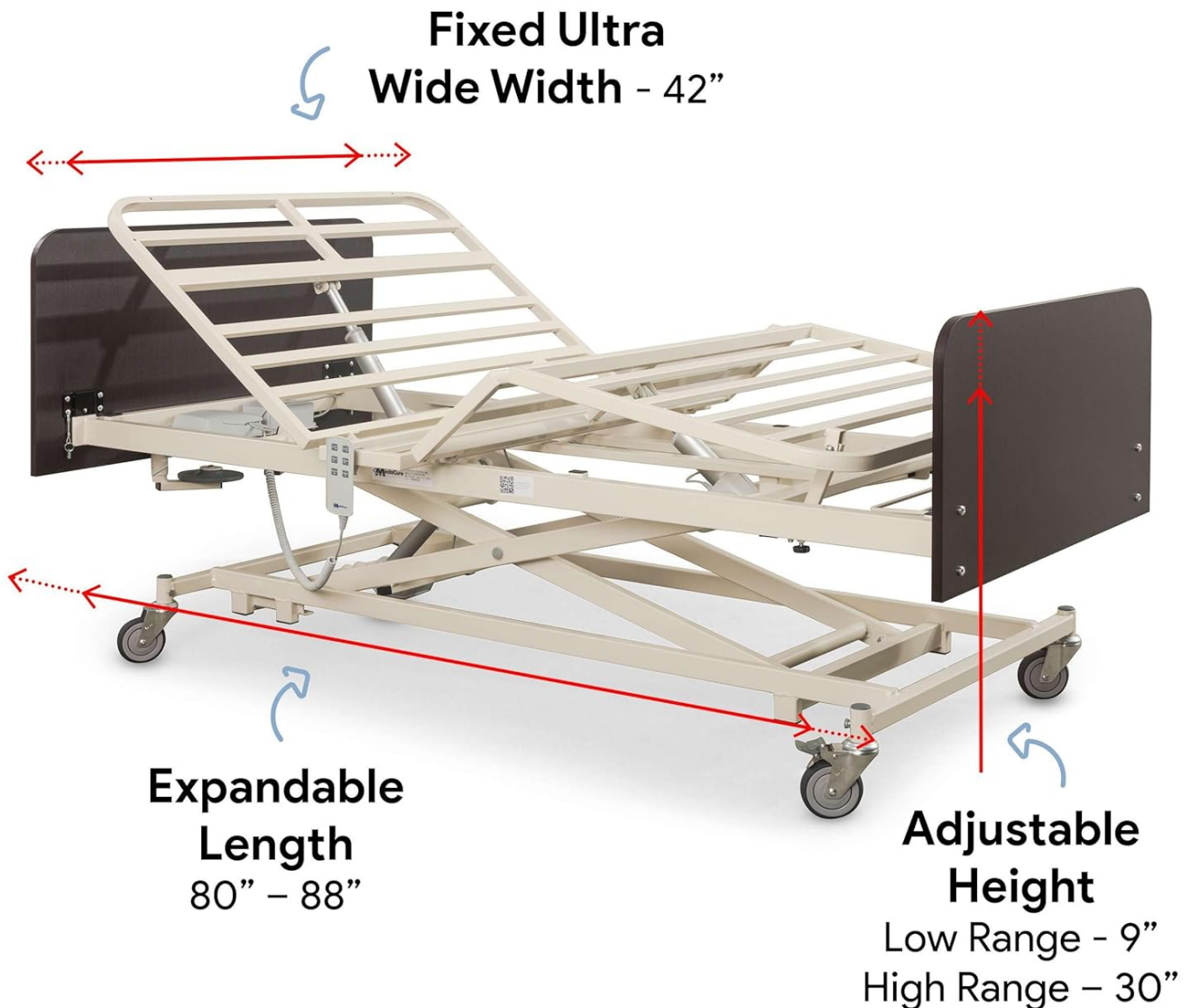


Figure 2: Key dimensions of the Medacure Ultra Low Adjustable Hospital Bed, highlighting its expandable length (80"-88"), fixed ultra-wide width (42"), and adjustable height (9"-30").

OPERATING INSTRUCTIONS

The Medacure Ultra Low Adjustable Hospital Bed is operated using the 8-function hand pendant. This pendant allows for precise control over various bed positions.

Full Electric Hand Pendant Controls



- ✓ Full Electric
- ✓ 8 Function Hand Pendant
- ✓ Hi/Lo, Head, Foot & Auto Contour & Foot Function
- ✓ Linak Actuators & Controls
- ✓ Ultra Quiet

Figure 3: The 8-function hand pendant, providing full electric control over bed adjustments.

Hand Pendant Functions:

- **Head Up/Down:** Adjusts the head section of the bed.
- **Foot Up/Down:** Adjusts the foot section of the bed.
- **Hi/Lo (Bed Height Adjustment):** Raises or lowers the entire bed frame. The bed can go as low as 9 inches and as high as 30 inches.
- **Auto Contour:** Synchronously adjusts both the head and foot sections to provide a comfortable contour position, reducing patient migration.
- **Foot Function:** Specific control for foot section adjustments.

To operate, simply press and hold the desired button on the hand pendant until the bed reaches the desired position. Release the button to stop movement.

Super Low Bed



From
9" - 30"



Safer for fall
risk patients



Easier to get in
and out of bed



Figure 4: The bed's super low position, reaching only 9 inches from the floor, enhancing safety for fall-risk patients.

MAINTENANCE AND CARE

Regular maintenance ensures the longevity and safe operation of your Medacure hospital bed.

- **Cleaning:** Clean the bed frame and mattress cover regularly with a mild, non-abrasive cleaner and a damp cloth. Avoid harsh chemicals. Ensure the bed is unplugged before cleaning.
- **Inspection:** Periodically inspect all moving parts, electrical cords, and connections for wear or damage. Check that all bolts and fasteners are tight.
- **Caster Maintenance:** Keep casters clean and free of debris to ensure smooth movement. Lubricate if necessary.
- **Mattress Care:** The premium foam mattress features a hospital-grade cover. Follow specific cleaning instructions for the mattress cover to maintain its integrity and hygiene.

Premium Safety, Comfort, & Convenience Features



**Durable 4"
Locking Casters**



**Quick Release Head
& Foot Boards**



**IV Socket on
Bed Corners**



**Durable Reinforced
Steel Frame**

Figure 5: Key features contributing to the bed's durability and convenience, including durable 4" locking casters, quick-release head and foot boards, IV sockets, and a durable reinforced steel frame.

TROUBLESHOOTING

If you encounter issues with your Medacure hospital bed, refer to the following common troubleshooting steps:

Problem	Possible Cause	Solution
Bed does not respond to hand pendant.	Power cord unplugged; circuit breaker tripped; damaged hand pendant or actuator.	Check power connection. Reset circuit breaker. If problem persists, contact Medacure support.
Bed movement is jerky or noisy.	Debris in moving parts; worn actuators; loose connections.	Inspect for debris and clean. Check all connections. If noise continues, contact Medacure support.
Mattress slides off bed.	Mattress not properly seated; corner retainers not engaged.	Ensure mattress is centered and corner retainers are holding it securely.
Q-Bar safety rail feels loose.	Clamp not tightened sufficiently.	Re-tighten the universal clamp on the safety rail.

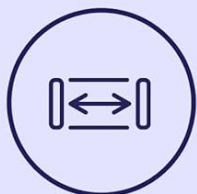
For issues not listed here or if solutions do not resolve the problem, please contact Medacure customer support.

SPECIFICATIONS

Feature	Detail
Height Range	9" (low) - 30" (high)
Length Range	80" - 88" (adjustable)
Fixed Width	42"
Weight Capacity	450 lbs
Underbed Clearance	5.7"
Actuators & Controls	Linak
Casters	8 x 3" locking casters (4 locking, 4 swivel)
Mattress Dimensions	80" x 42" x 6" (Hospital Grade Foam)
Frame Material	Durable Reinforced Tube Steel

Ultra Wide Bariatric Bed

Designed for Maximum Patient Comfort!



Adjustable Length
80" – 88"



Weight Capacity
450 lbs



Figure 6: Specifications for the Ultra Wide Bariatric Bed, highlighting adjustable length and 450 lbs weight capacity.



Pressure Redistribution Foam Mattress



High Density Convolute Foam

For Ultimate Comfort & Preventive Therapy



3 Tiered Laminate Progressive Design

Bottom layer is firmest & gets softer as it reaches the top foam



Multiple Pressure Zones

Evenly Distributes Patient Weight



80" x 42" x 6" Hospital Grade Cover

70 Denier Nylon with PVC Backing

Figure 7: Features of the included Pressure Redistribution Foam Mattress, including high-density convoluted foam and a 3-tiered laminate progressive design.

WARRANTY AND SUPPORT

Medacure stands behind the quality of its products. Your Ultra Low Adjustable Hospital Bed comes with the following warranty:

- **Frame:** 15 Years
- **Electronics:** 3 Years
- **Pendant:** 1 Year

For warranty claims, technical assistance, or any questions regarding your Medacure product, please contact Medacure customer support. Refer to the product packaging or the official Medacure website for the most current contact information.

Medacure Official Website: Visit Medacure Store on Amazon

