

## Manuals+

[Q & A](#) | [Deep Search](#) | [Upload](#)

manuals.plus /

› [BlessReach](#) /

› [BlessReach All Terrain Foldable Knee Scooter Walker \(Model WB-2202\) Instruction Manual](#)

## BlessReach WB-2202

# BlessReach All Terrain Foldable Knee Scooter Walker (Model WB-2202) Instruction Manual

## INTRODUCTION

This instruction manual provides essential information for the safe and effective use of your BlessReach All Terrain Foldable Knee Scooter Walker, Model WB-2202. This device is designed as a mobility aid for individuals recovering from foot, ankle, calf, or knee injuries, or those who have undergone related surgeries, offering a compact and comfortable alternative to traditional crutches.



*Image: The BlessReach All Terrain Foldable Knee Scooter Walker in black, featuring four large wheels, a knee pad, handlebars, and a front storage bag.*

## **SAFETY INFORMATION**

- Always consult with a healthcare professional before using this device to ensure it is appropriate for your specific condition.
- Maintain a safe walking speed of less than 3 mph to prevent accidents.
- Ensure all components are securely fastened and adjusted to your height before each use.
- Regularly check the brake system for proper function.
- Exercise caution when navigating slopes or uneven terrain. Using a knee scooter downhill can be dangerous; please maintain your balance.
- Avoid sudden turns or movements that could compromise stability.

## SETUP AND ASSEMBLY

---

The BlessReach Knee Scooter is designed for straightforward assembly. Most components are pre-assembled, requiring only a few steps to prepare for use. No specialized tools are needed beyond those provided or your hands, as many fasteners are wing nuts.

### Step 1: Unfolding the Frame

When opening the frame, rotate the handle to ensure smooth unfolding and prevent sticking. It is crucial to lift the shock absorber in advance to avoid blocking the unfolding of the seat tube.

Your browser does not support the video tag.

*Video: Demonstrates the correct procedure for unfolding the knee scooter frame, highlighting the importance of lifting the shock absorber.*

### Step 2: Installing the Front Wheel Crossbar

Attach the front wheel crossbar to the main frame. Ensure the buckle is fastened tightly. First, tighten the screws below before moving the wrench to secure the buckle.

Your browser does not support the video tag.

*Video: Illustrates the installation of the front wheel crossbar, emphasizing proper tightening of the buckle.*

### Step 3: General Assembly Overview

For a comprehensive guide to the overall assembly process, including attaching the knee pad and handlebars, refer to the video below. The knee pad is thick and plush, designed for comfort, and attaches with easy-to-use thumbscrews.

Your browser does not support the video tag.

*Video: A detailed assembly demonstration for the BlessReach Knee Scooter, covering various components.*

## OPERATING INSTRUCTIONS

---

The BlessReach Knee Scooter is designed for ease of use and mobility. Its all-terrain wheels allow for smooth navigation across various surfaces, both indoors and outdoors.

### Braking System

The scooter features a disc brake system with a locking hand brake for superior control and safety. Squeeze the hand brake levers to slow down or stop. To engage the parking brake, squeeze the lever and press the silver button to lock it in place. To disengage, simply pull the lever back slightly.

## Ergonomic Design

Press the brake lever, then press the silver button.

Ergonomic  
Non-Slip Handle with  
One-Touch Parking  
Function.



- Dual-Layer
- High-Resilience
- Breathable Memory Foam

*Image: Close-up of the ergonomic handle and hand brake with a one-touch parking function, alongside the dual-layer memory foam knee pad.*

## Steering and Mobility

The steerable front wheels provide a 120-degree turning radius, allowing for easy maneuverability in tight spaces. The 11-inch front wheels and 9-inch rear wheels are solid and explosion-proof, eliminating the need for inflation and ensuring stability on various terrains like grass, gravel, dirt, and sidewalks.

# 12" All-Terrain Non-Slip Tire



- Silent Vibration Damping
- Anti-Slip and Durable

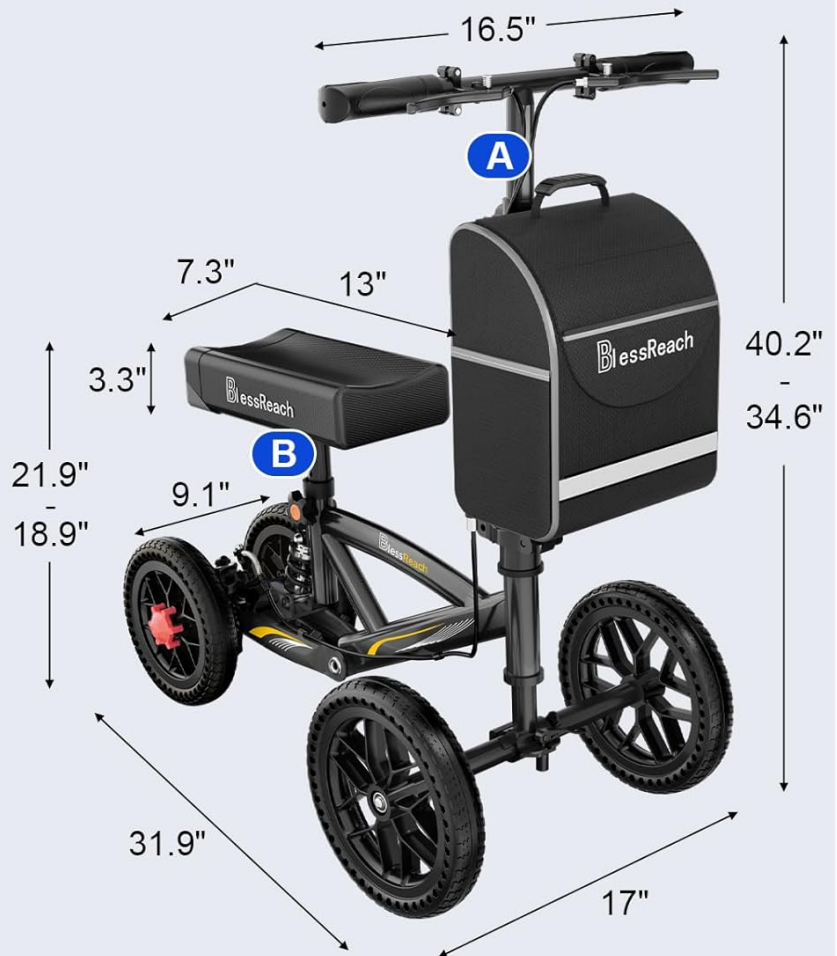
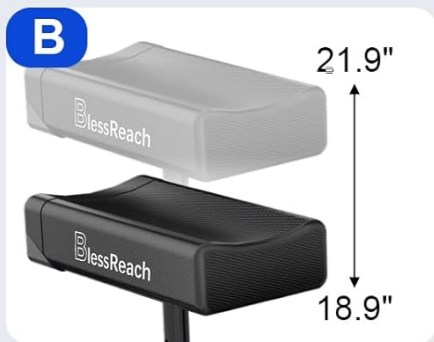
*Image: A detailed view of the 12-inch all-terrain non-slip tire, highlighting its silent vibration damping and anti-slip properties suitable for various surfaces.*

## ADJUSTABLE FEATURES

The BlessReach Knee Scooter offers multiple adjustment points to ensure a comfortable and personalized fit for users between 5'6" and 6'6" tall.

- **Knee Pad Height:** The knee pad can be adjusted to six different height levels. Loosen the adjustment knob, set to the desired height, and re-tighten securely.
- **Handlebar Height:** The handlebars are also adjustable to six levels. Adjust similarly to the knee pad for optimal comfort and control.

# Product Details



Adjustable Handlebar  
Seat Height



Fits user height :  
**4'-6'**

Image: Diagram illustrating the adjustable handlebar and knee pad heights, along with overall product dimensions.

## FOLDING AND STORAGE

The knee scooter features a quick-release folding mechanism for convenient transport and storage. This allows the steering column to fold down, making the unit more compact.

Your browser does not support the video tag.

Video: Demonstrates the folding process of the knee scooter for easy storage and transportation.



## Foldable design

Loosen the clasp, can be folded easy to carry and transportation



*Image: The knee scooter in its folded state, being easily placed into the trunk of a car, showcasing its compact design.*

## MAINTENANCE

- **Cleaning:** Wipe down the frame and knee pad with a damp cloth and mild soap. Avoid abrasive cleaners.
- **Brakes:** Periodically check the brake cables and pads for wear. Ensure the brakes engage smoothly and effectively. Adjust if necessary.
- **Wheels:** Inspect the wheels for any damage or excessive wear. Since they are solid, there is no need for inflation.
- **Fasteners:** Regularly check all nuts, bolts, and adjustment knobs to ensure they are tight and secure. Loose fasteners can affect stability and safety.

## TROUBLESHOOTING

- **Wobbly Handlebars:** If the handlebars feel loose or wobble, check the tightening mechanism on the steering

column. There may be a threaded screw within the latch mechanism that can be tightened with a Phillips screwdriver to secure it.

- **Brakes Not Engaging Properly:** Inspect the brake cables for any kinks or damage. Ensure the brake levers are fully functional and the disc brakes are clean and free of debris. Adjust cable tension if needed.
- **Difficulty Steering:** Check for any obstructions around the front wheels. Ensure the steering column is properly installed and secured.

## SPECIFICATIONS

Feature	Detail
Model Number	WB-2202
Brand	BlessReach
Color	Black
Material	Alloy Steel, Metal
Item Weight	22 Pounds
Weight Capacity	Up to 300 lbs
Recommended User Height	5'6" to 6'6"
Front Wheels	11-inch, All-Terrain, Non-Inflatable
Rear Wheels	9-inch, All-Terrain, Non-Inflatable
Brake System	Disc Brakes with Locking Hand Brake
Shock Absorbers	High-quality metal shock absorbers
Knee Pad	Dual-Layer, High-Resilience, Breathable Memory Foam, 6-level adjustable
Handlebars	Ergonomic, Non-Slip, 6-level adjustable
Folding Mechanism	Quick-release for easy transport and storage
Accessories	Large-capacity detachable shopping bag

## WARRANTY AND SUPPORT

Specific warranty details are not provided in the product information. For any warranty claims, technical support, or inquiries regarding your BlessReach Knee Scooter, please contact the manufacturer directly through their official channels or the retailer from whom the product was purchased.

