

[Manuals.plus](#) /

> [Betterhood](#) /

> Betterhood Tilt Out Trash Cabinet (Single, Black) Instruction Manual

Betterhood 1f92b613-541f-4b40-899a-a5efc1de0fa9

Betterhood Tilt Out Trash Cabinet (Single, Black) Instruction Manual

Model: 1f92b613-541f-4b40-899a-a5efc1de0fa9

1. PRODUCT OVERVIEW

The Betterhood Tilt Out Trash Cabinet is a versatile and space-saving solution designed to conceal a 10-gallon trash can, laundry hamper, or recycling bin. Constructed from durable MDF wood with a polished coating and a rubberwood top surface, this cabinet offers both functionality and aesthetic appeal. It features a convenient hideaway drawer for extra storage and a tilt-out mechanism for easy access to the main compartment.

Beadboard Drawer



Rubberwood Tabletop



Stainless Steel Handle



Hide Trash Storage



Beadboard Door

Image 1.1: Exploded view of the Betterhood Tilt Out Trash Cabinet, highlighting its main components including the top surface, drawer, and tilt-out door.

Key Features:

- **Space Saving and Concealment:** Effectively hides a 10-gallon trash can, maintaining a clean and delicate kitchen or laundry area, and preventing pets from accessing contents.
- **Durable Construction:** Made of MDF wood with a polished coating and a sturdy rubberwood top surface, compliant with CARB P2 requirements.
- **Multi-functional Design:** Can be used as a kitchen island, laundry sorter, recycling bin, or traditional trash cabinet.
- **Extra Storage:** Includes a pull-out drawer for storing kitchen utensils, pet food, or other items.
- **Odor Seal:** Designed to help block odors from emanating from the trash compartment.

2. SETUP AND ASSEMBLY

Assembly is required for this product. Please refer to the detailed assembly instructions document included in the packaging. Ensure all components are present before beginning assembly. A Phillips head screwdriver and a box cutter (for unpacking) are typically the only tools required.

Your browser does not support the video tag.

Video 2.1: This video demonstrates the assembly process for a similar tilt-out trash cabinet, providing a visual guide to the steps involved in putting the unit together.

Assembly Tips:

- Lay out all parts on a soft, clean surface to prevent scratches.
- Follow the numbered steps in the instruction manual carefully.
- Ensure all screws and fasteners are securely tightened for stability.
- Two people may be helpful for certain steps, especially when aligning larger panels.

3. OPERATING INSTRUCTIONS

Using the Tilt-Out Mechanism:

1. To open the main compartment, gently pull the handle on the front panel. The panel will tilt forward and down, revealing the interior.
2. Place a 10-gallon trash can (not included) inside the compartment. Ensure the trash bag is properly secured around the rim of the can.
3. To close, push the front panel back into its upright position until it is flush with the cabinet frame.



Image 3.1: The tilt-out mechanism allows for easy access to the internal trash can, keeping it discreetly hidden when closed.

Using the Storage Drawer:

- The top drawer slides out smoothly for convenient storage of smaller items such as kitchen utensils, pet accessories, or cleaning supplies.
- To open, pull the drawer handle. To close, gently push the drawer back until it is fully recessed.

4. MAINTENANCE AND CARE

Cleaning:

- Wipe the exterior surfaces with a soft, damp cloth and mild soap. Avoid abrasive cleaners or harsh chemicals that could damage the polished coating.
- For the rubberwood top surface, wipe spills immediately to prevent staining.
- Regularly clean the interior of the trash compartment and the trash can to prevent odors and maintain hygiene.

General Care:

- Periodically check all screws and fasteners to ensure they remain tight. Tighten if necessary to maintain stability.
- Avoid placing excessively heavy items on the top surface (weight limit: 35 lbs).
- Keep the cabinet away from direct sunlight and extreme temperature changes to prevent warping or discoloration.

5. TROUBLESHOOTING

Common Issues and Solutions:

- **Door not closing smoothly:** Check for any obstructions in the tilt-out mechanism or hinges. Ensure the trash can inside is not interfering with the door's movement. Verify that the hinges are properly aligned and secured.
- **Cabinet feels unstable:** Re-check all assembly screws and ensure they are fully tightened. Make sure the cabinet is placed on a flat, level surface.
- **Odors emanating from the cabinet:** Ensure the trash can is clean and a fresh trash bag is used. The cabinet features an odor seal design, but regular cleaning of the trash can and compartment is essential. Consider using odor-absorbing products inside the trash can.
- **Drawer sticking or not sliding:** Check the drawer slides for any debris or misalignment. Ensure the drawer is not overloaded.

6. SPECIFICATIONS

Feature	Detail
Brand	Betterhood
Model Number	1f92b613-541f-4b40-899a-a5efc1de0fa9
Color	Black
Product Dimensions	13"D x 20.5"W x 35.6"H
Item Weight	35.2 pounds (16 Kilograms)
Material	Engineered Wood (MDF with polished coating), Rubberwood top
Recommended Uses	Kitchen, Laundry, Entryway, Living Room
Storage Volume	Accommodates 10 Gallon trash cans
Weight Limit (Top Surface)	35 Pounds
Special Feature	Odor Seal
Assembly Required	Yes

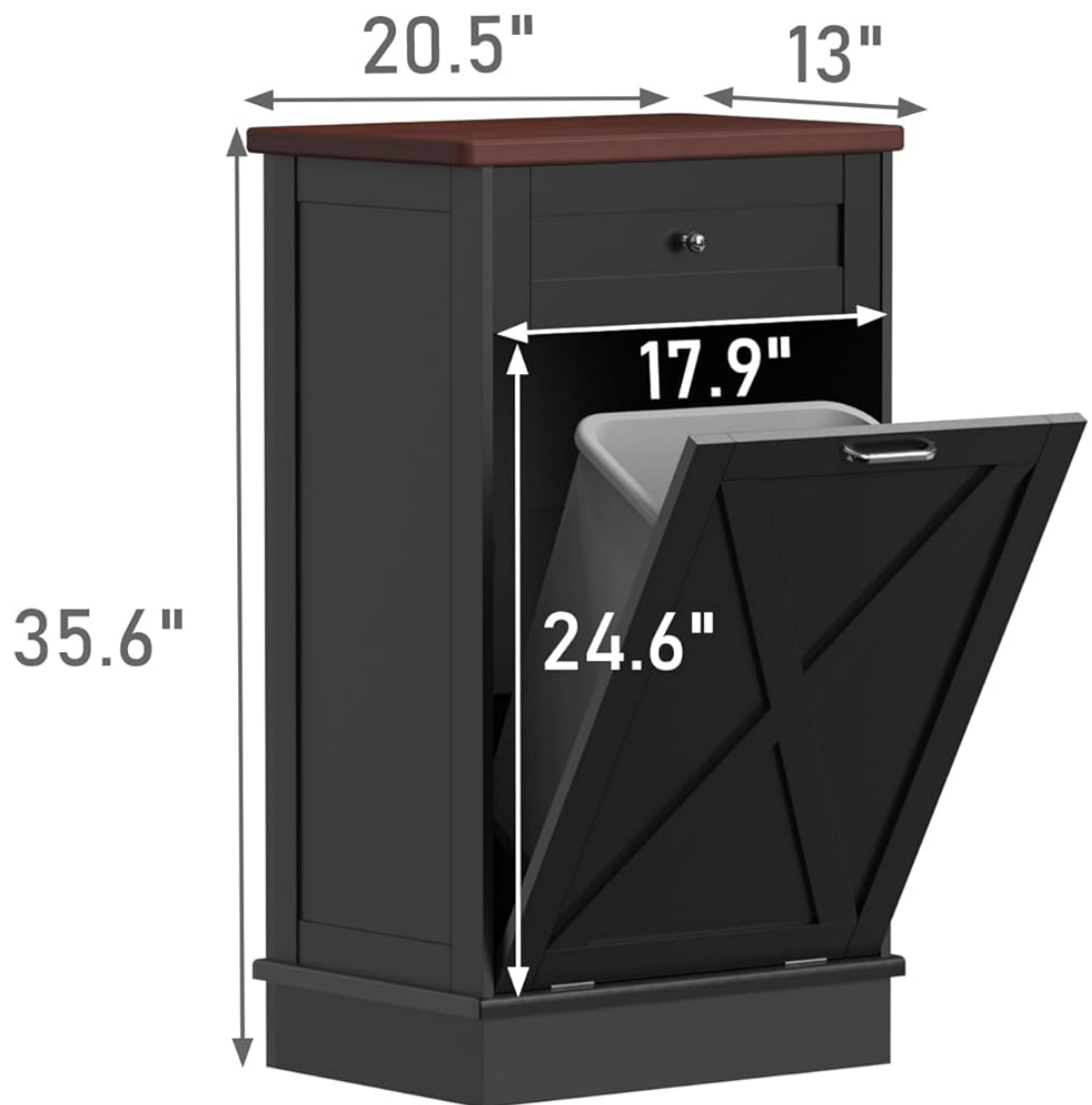


Image 6.1: Visual representation of the cabinet's dimensions: 35.6" H x 20.5" L x 13" W, with internal drawer and tilt-out compartment measurements.

7. WARRANTY AND SUPPORT

Return Policy:

This product is eligible for a 30-day return policy for refund or replacement. Please refer to the retailer's specific return guidelines for detailed information.

Customer Support:

For any questions, concerns, or assistance with your Betterhood Tilt Out Trash Cabinet, please contact the seller or manufacturer directly through the platform where the product was purchased. Provide your model number and purchase details for efficient support.