

Dpofirs RH 688X

Dpofirs 5.1CH HDMI Audio Extractor and Digital Sound Decoder

Model: RH 688X

1. INTRODUCTION

This manual provides detailed instructions for the installation, operation, and maintenance of your Dpofirs 5.1CH HDMI Audio Extractor and Digital Sound Decoder. Please read this manual thoroughly before use to ensure proper functionality and to prevent damage to the device.

2. SAFETY PRECAUTIONS

- Do not expose the device to moisture, rain, or extreme temperatures.
- Avoid placing the device near heat sources or in direct sunlight.
- Use only the provided power adapter.
- Do not attempt to open or repair the device yourself. Refer all servicing to qualified personnel.
- Ensure proper ventilation around the device.

3. PACKAGE CONTENTS

Please check the package contents upon unpacking. If any items are missing or damaged, contact your retailer.

- 1 x Sound Decoder Unit
- 1 x Remote Control
- 1 x Optical Sound Cable
- 1 x Antenna

- 1 x Power Adapter
- 1 x Coaxial Sound Cable
- 1 x USB Cable
- 1 x Instruction Manual



Image 3.1: Contents of the product package.

4. PRODUCT OVERVIEW

The Dpofirs 5.1CH HDMI Audio Extractor and Digital Sound Decoder is designed to convert various digital audio signals into 5.1 independent analog output channels. It supports multiple input sources and audio formats, providing a versatile solution for home theater and gaming audio setups.

4.1 Front Panel Controls and Indicators

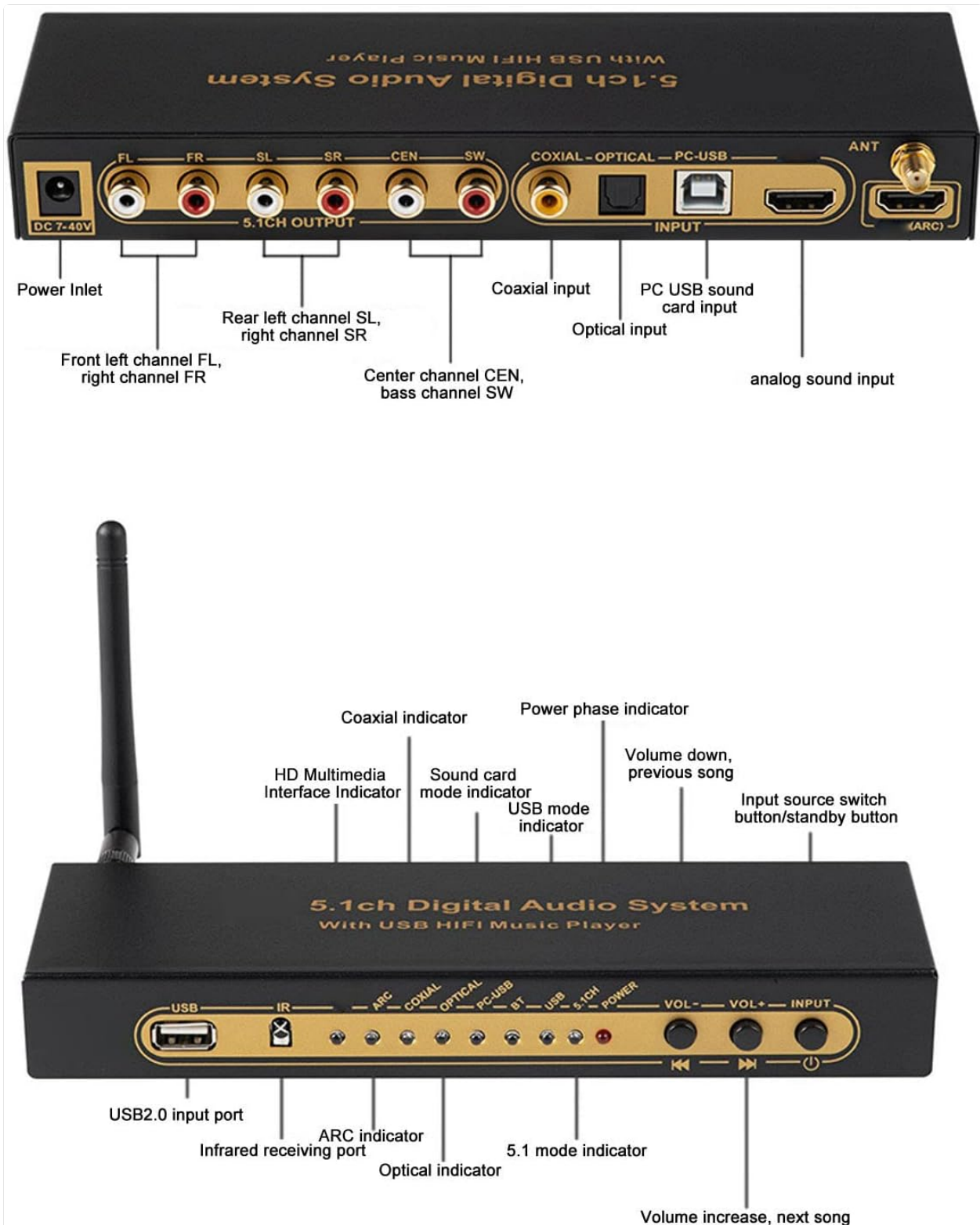


Image 4.1: Front panel layout with controls and indicators.

- **Power Knob:** Turns the device on/off and adjusts volume.
- **USB2.0 Input Port:** For connecting USB flash drives.
- **Infrared Receiving Port:** For remote control signals.
- **Input Indicators:** LEDs for ARC, Coaxial, Optical, PC-USB, USB modes.
- **5.1 Mode Indicator:** Lights up when 5.1CH output is active.
- **Volume Down/Previous Song:** Decreases volume or skips to the previous track.
- **Volume Up/Next Song:** Increases volume or skips to the next track.
- **Input Source Switch Button/Standby Button:** Cycles through input sources or puts the device in

standby.

4.2 Rear Panel Connections

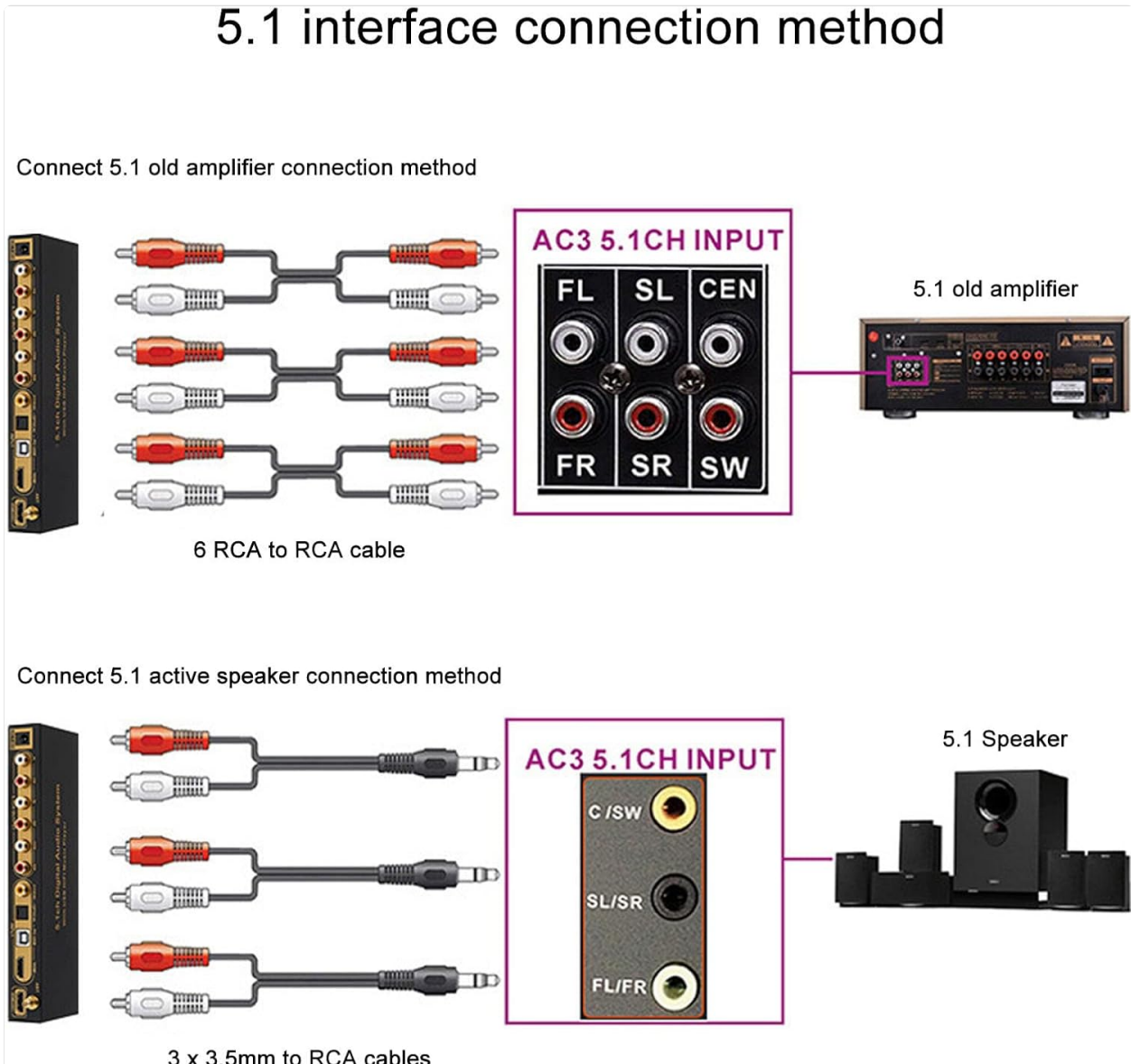


Image 4.2: Rear panel layout with input and output ports.

- **DC 7-40V Power Inlet:** Connects to the power adapter.
- **5.1CH Analog Outputs (FL, FR, SL, SR, CEN, SW):** Connect to a 5.1 channel amplifier or active speakers.
- **Coaxial Input:** For digital coaxial audio sources.
- **Optical Input:** For digital optical audio sources.
- **PC-USB Input:** Connects to a computer for audio input.
- **HDMI Input (ARC):** For HDMI audio input with Audio Return Channel support.
- **Antenna Port:** For Bluetooth antenna connection.

5. SETUP

Follow these steps to connect your Dpofirs 5.1CH HDMI Audio Extractor to your audio system.

5.1 Connection Schematic

HD Multimedia Interface/ Optical/Coaxial/PC US- B/BT/USB Flash Drive Play- back to 5.1 Channels



5.1CH
Decoder



Reduce
Noise

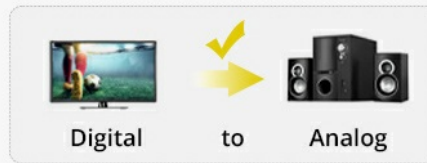


Image 5.1: General connection diagram for the audio extractor.

5.2 Connecting to a 5.1 Amplifier (Old Amplifier Connection Method)

1. Connect the 5.1CH analog outputs (FL, FR, SL, SR, CEN, SW) from the decoder to the corresponding 5.1CH analog inputs on your amplifier using 6 RCA to RCA cables.
2. Ensure each channel (Front Left, Front Right, Surround Left, Surround Right, Center, Subwoofer) is correctly matched.



Image 5.2: Connecting to a 5.1 channel amplifier.

5.3 Connecting to 5.1 Active Speakers

1. Connect the 5.1CH analog outputs from the decoder to your 5.1 active speakers using appropriate 3.5mm to RCA cables (typically 3 cables for 6 channels).
2. Match the FL/FR, SL/SR, and C/SW outputs to the corresponding inputs on your active speaker system.



Image 5.3: Connecting to 5.1 active speakers.

5.4 Power Connection

1. Connect the provided power adapter to the DC 7-40V power inlet on the rear panel of the decoder.
2. Plug the power adapter into a suitable power outlet.

6. OPERATING INSTRUCTIONS

This section details how to use the Dpofirs 5.1CH HDMI Audio Extractor with various input sources.

6.1 General Operation

1. Turn on the decoder by rotating the Power Knob on the front panel.
2. Use the Input Source Switch Button on the front panel or the remote control to select the desired input source (HDMI, Optical, Coaxial, PC-USB, USB). The corresponding indicator LED will light up.
3. Adjust the volume using the Volume Up/Down buttons on the front panel or the remote control.

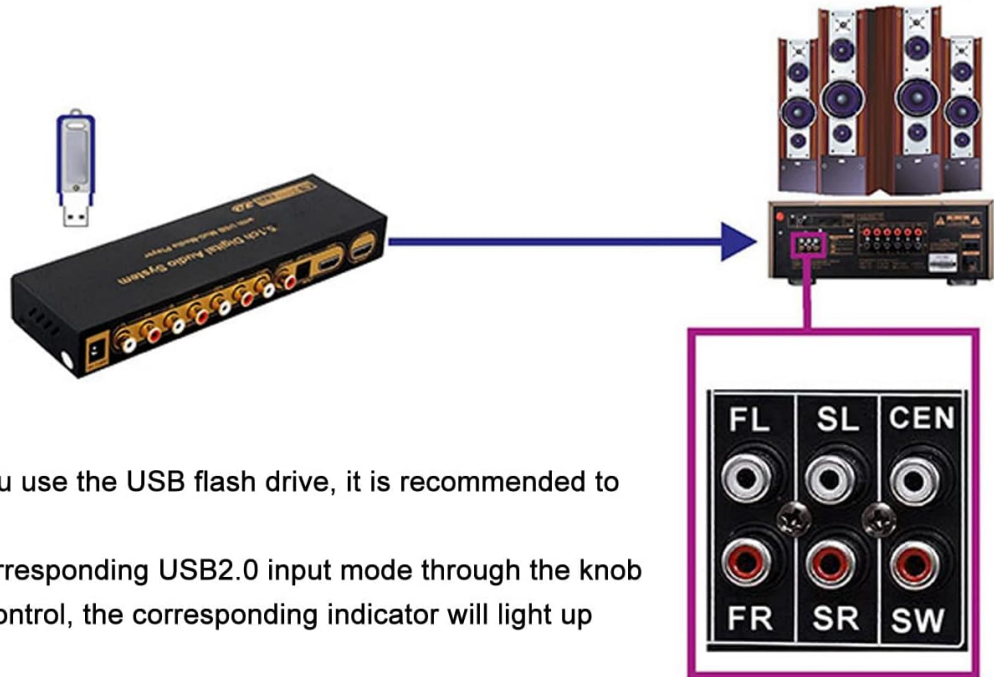
6.2 USB Flash Drive Playback

1. For first-time use, it is recommended to format your USB flash drive.
2. Insert the USB flash drive into the USB2.0 input port on the front panel.
3. Switch to the corresponding USB input mode via the knob button or remote control. The USB indicator will light up.
4. Use the Previous/Next Song buttons on the front panel or remote to navigate tracks.



USB 2.0

Support Sound Formats: DTS, DTS ES, AC3, FLAC, APE, WAV, HDCD, AAC, WMV, MP3, M4A, Etc.



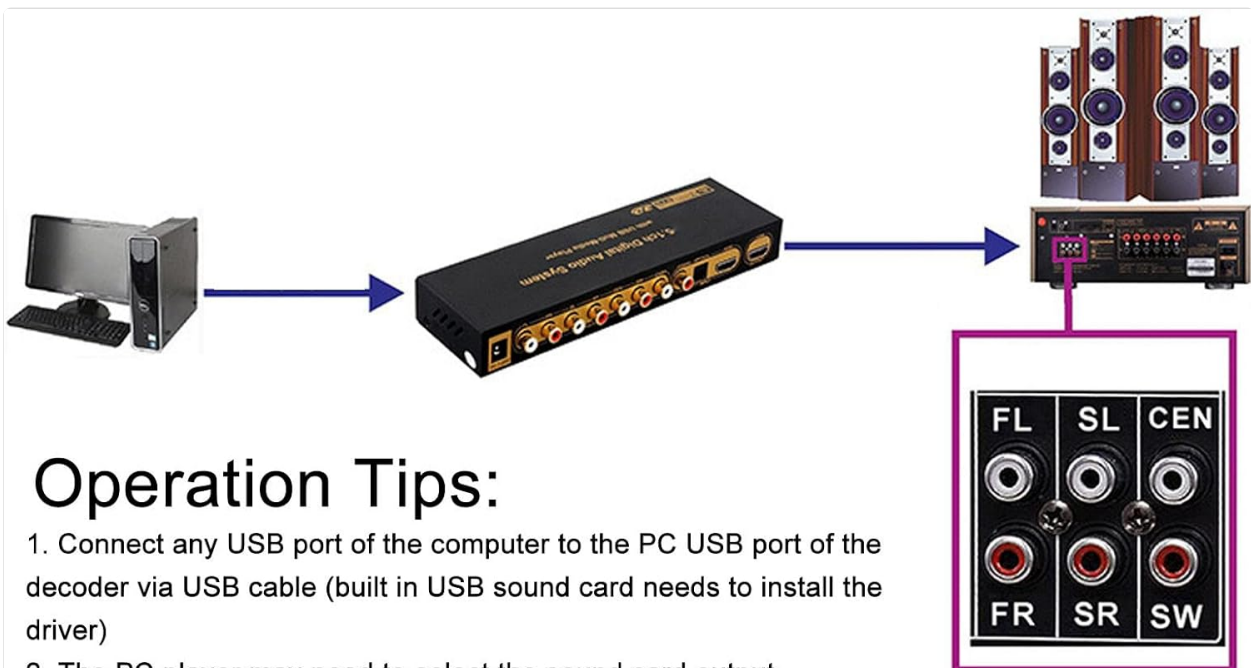
Operation tips:

1. The first time you use the USB flash drive, it is recommended to format it first
2. Switch to the corresponding USB2.0 input mode through the knob button or remote control, the corresponding indicator will light up

Image 6.1: USB flash drive connection and operation.

6.3 PC USB Audio Input

1. Connect any USB port of your computer to the PC-USB port on the rear panel of the decoder using the provided USB cable. The built-in USB sound card may require driver installation on your computer.
2. On your computer, select the decoder as the sound card output device.
3. Switch the decoder to the PC-USB input mode via the knob button or remote control. The PC-USB indicator will light up.



Operation Tips:

1. Connect any USB port of the computer to the PC USB port of the decoder via USB cable (built in USB sound card needs to install the driver)
2. The PC player may need to select the sound card output
3. Switch to the corresponding PC USB input mode through the knob button or remote control, and the corresponding indicator will be lit

6.4 Sound Output Modes

- The decoder automatically detects and identifies the input digital sound signal format.
- If the source is 5.1CH, it performs hard decoding (real 5.1 output).
- If the source is 2.0CH or 2.1CH, it performs soft decoding (virtual 5.1 output).
- Supports both 2.0CH and 5.1CH output modes. In 2.0CH mode, only FL (Front Left) and FR (Front Right) outputs are active.

7. MAINTENANCE

- Clean the device with a soft, dry cloth. Do not use liquid or aerosol cleaners.
- Keep the device free from dust and debris.
- Store the device in a cool, dry place when not in use for extended periods.

8. TROUBLESHOOTING

Problem	Possible Cause	Solution
No power	Power adapter not connected or faulty.	Ensure the power adapter is securely connected and plugged into a working outlet. Test with another adapter if available.
No audio output	Incorrect input source selected; cables loose or faulty; amplifier/speakers off or muted; incorrect audio format.	Verify the correct input source is selected. Check all cable connections. Ensure your amplifier/speakers are powered on and not muted. Confirm the input audio format is supported.
No 5.1 surround sound	Input source is 2.0CH; amplifier/speakers not configured for 5.1CH; incorrect connections.	Ensure your audio source is providing a 5.1CH signal. Verify your amplifier/active speakers have 5.1 input ports and are correctly configured. Double-check all 6 analog output connections.
Remote control not working	Batteries low or incorrectly inserted; obstruction between remote and device.	Replace remote control batteries (2 AAA alkaline batteries). Ensure there is a clear line of sight to the infrared receiving port.

9. SPECIFICATIONS

Feature	Detail
Model	RH 688X
Material	Metal
HDMI Version Support	HDMI 2.0b (compatible with HDMI 1.4)
HDCP Version Support	HDCP 2.3 (compatible with HDCP 2.2, HDCP 1.4)

Feature	Detail
HDMI Resolution Support	4Kx2K, 1080p, 1080i, 720p, 576p, 576i, 480p, 480i at 24/50/60fs
HDMI Max Data Rate	6Gbps
Supported Audio Formats	DTS, DTS ES, AC3, FLAC, APE, WAV, HDCD, AAC, WMV, MP3, M4A, etc.
Sampling Rate	24bit 192KHz
5.1 Analog Output	≥ 2V RMS (1KHz at 0dB)
Signal-to-Noise Ratio	≥90dB
Distortion	≤0.03%
Frequency Response	20Hz ~ 20KHz
Bluetooth Reception Distance	≤15m / 49.2 feet
Remote Control Battery	2 x AAA alkaline batteries (sold separately)
Color	Black
Ports	7 (HDMI, USB, Optical, Coaxial, 5.1 Analog Out)

10. WARRANTY AND SUPPORT

For warranty information or technical support, please refer to the contact details provided with your purchase or visit the official Dpofirs website. Keep your proof of purchase for warranty claims.