



[Manuals.plus](#) /

› [ARCHITECTURAL MAILBOXES](#) /

› Architectural Mailboxes Grand Haven Plastic Mailbox Post (GHP00BAM) Instruction Manual

ARCHITECTURAL MAILBOXES GHP00BAM

Grand Haven Plastic Mailbox Post (GHP00BAM) Instruction Manual

Model: GHP00BAM | Brand: ARCHITECTURAL MAILBOXES

1. PRODUCT OVERVIEW

The Grand Haven Plastic Mailbox Post is designed for durability and ease of installation. Constructed from heavy-duty, rust-proof plastic with a UV-inhibitor finish, it is built to withstand various weather conditions and maintain its appearance over time. This post is designed to slide over a standard 4x4 wooden post, providing a stable and aesthetically pleasing foundation for your mailbox. It features a craftsman-inspired design and includes a solid panel for displaying house numbers. The post is engineered to support up to 50 lbs and is compatible with Architectural Mailboxes' curbside mailboxes marked with compatibility codes A, B, C, or D.



Figure 1: Grand Haven Plastic Mailbox Post with a compatible mailbox.

2. PARTS INCLUDED

- 1 x Grand Haven Mailbox Post
- 1 x Mounting Board
- 4 x Machine Screws
- 4 x Hex Nuts
- 4 x Wood Screws

Easy by Design

Fits over a 4x4 post for quick, no-fuss install.

Mounting hardware &
installation instructions
(included)



*4x4 post sold separately



Tools Required:
(not included)

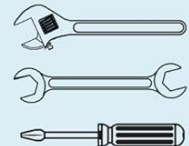


Figure 2: Included parts and general installation overview.

3. TOOLS & SUPPLIES NEEDED (NOT INCLUDED)

- Standard 4x4 Wooden Post (60 inches recommended)
- Mailbox (compatible with codes A, B, C, or D)
- Shovel
- Concrete Cement (recommended for loose soil)
- Screwdriver
- Wrench
- Level

4. INSTALLATION GUIDELINES

4.1. USPS Mailbox Placement Guidelines

For optimal mail delivery, adhere to the United States Postal Service (USPS) guidelines for mailbox placement. This ensures your mail carrier can easily access your mailbox.

Your browser does not support the video tag.

Video 1: USPS Guidelines for Outdoor Mailbox Installation. This video provides essential information on correct mailbox height, distance from the curb, and maintaining a clear area around the mailbox for safe and efficient mail delivery.

- **Height:** The bottom of the mailbox delivery opening should be 41 to 45 inches from the ground.
- **Distance from Curb:** Place your mailbox 6 to 8 inches back from the curb. This distance helps keep your mailbox accessible while protecting it from passing traffic.
- **Clearance:** Ensure the area around your mailbox is clear of large bushes or other obstructions to allow easy access for mail carriers.
- **Stability:** The mailbox post should be straight and securely installed to prevent wobbling or leaning over time.

4.2. Grand Haven Mailbox Post Assembly and Installation

Follow these steps to assemble and install your Grand Haven Mailbox Post:

Your browser does not support the video tag.

Video 2: How to Assemble and Install the Grand Haven Mailbox Post. This video provides a visual, step-by-step guide for installing your mailbox post, including preparing the wooden post, attaching the post sheath, and securing the mailbox.

1. **Prepare the Wooden Post:** Dig a hole and bury a 4x4 wooden post, leaving approximately 36 inches of the post above ground. Use a level to ensure the wooden post is perfectly straight. Concrete cement is recommended for securing the post in loose soil.
2. **Install the Post Sheath:** Slide the Grand Haven plastic post sheath over the buried 4x4 wooden post. Secure the sheath to the wooden post using the four provided wood screws.
3. **Attach Mounting Board to Mailbox:** Secure the mounting board to the bottom panel of your compatible mailbox (sold separately) using the four machine screws and hex nuts. Ensure the front of the mounting board faces the mailbox door.
4. **Mount the Mailbox:** Place the assembled mailbox over the post, aligning the post tabs with the slots in the mounting plate. Slide the mailbox forward until it snaps securely into place.

Sized Right, Built Tough

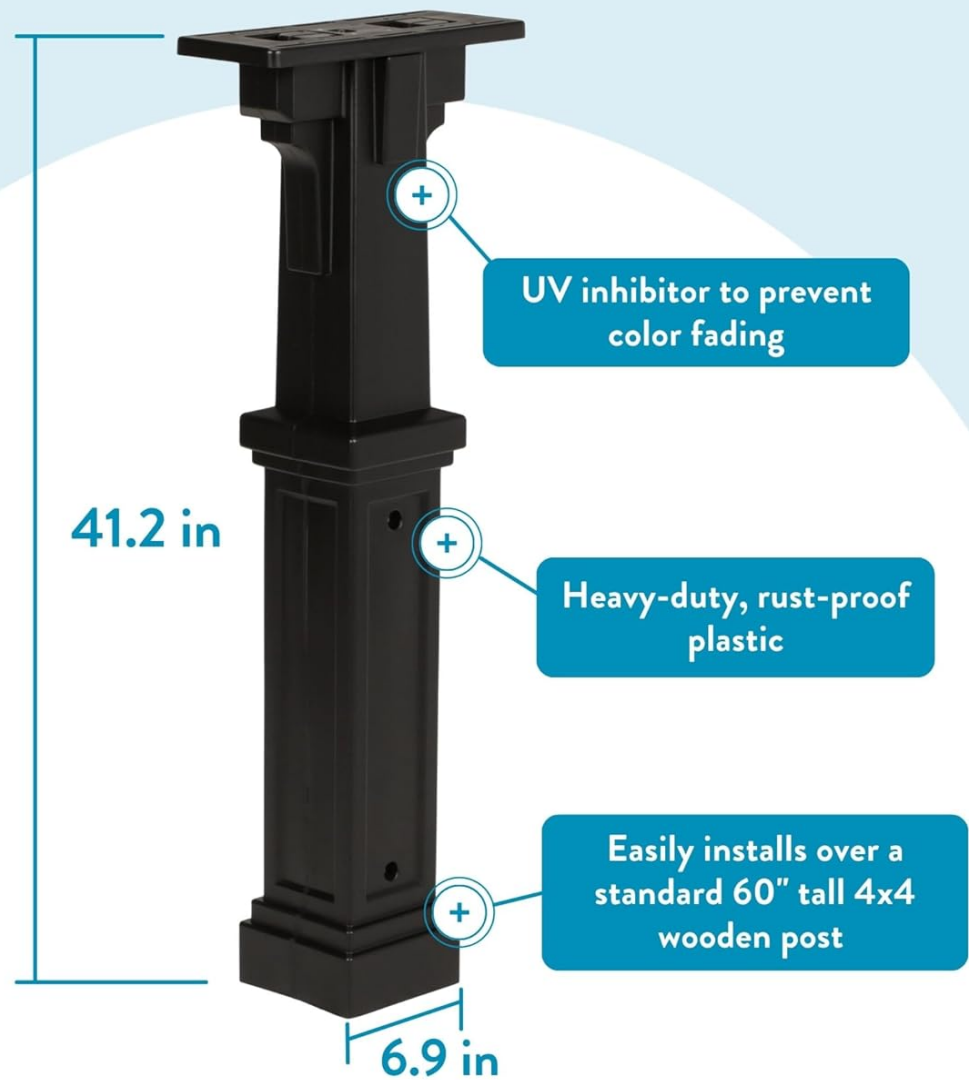


Figure 3: Dimensions and key features of the Grand Haven Mailbox Post.

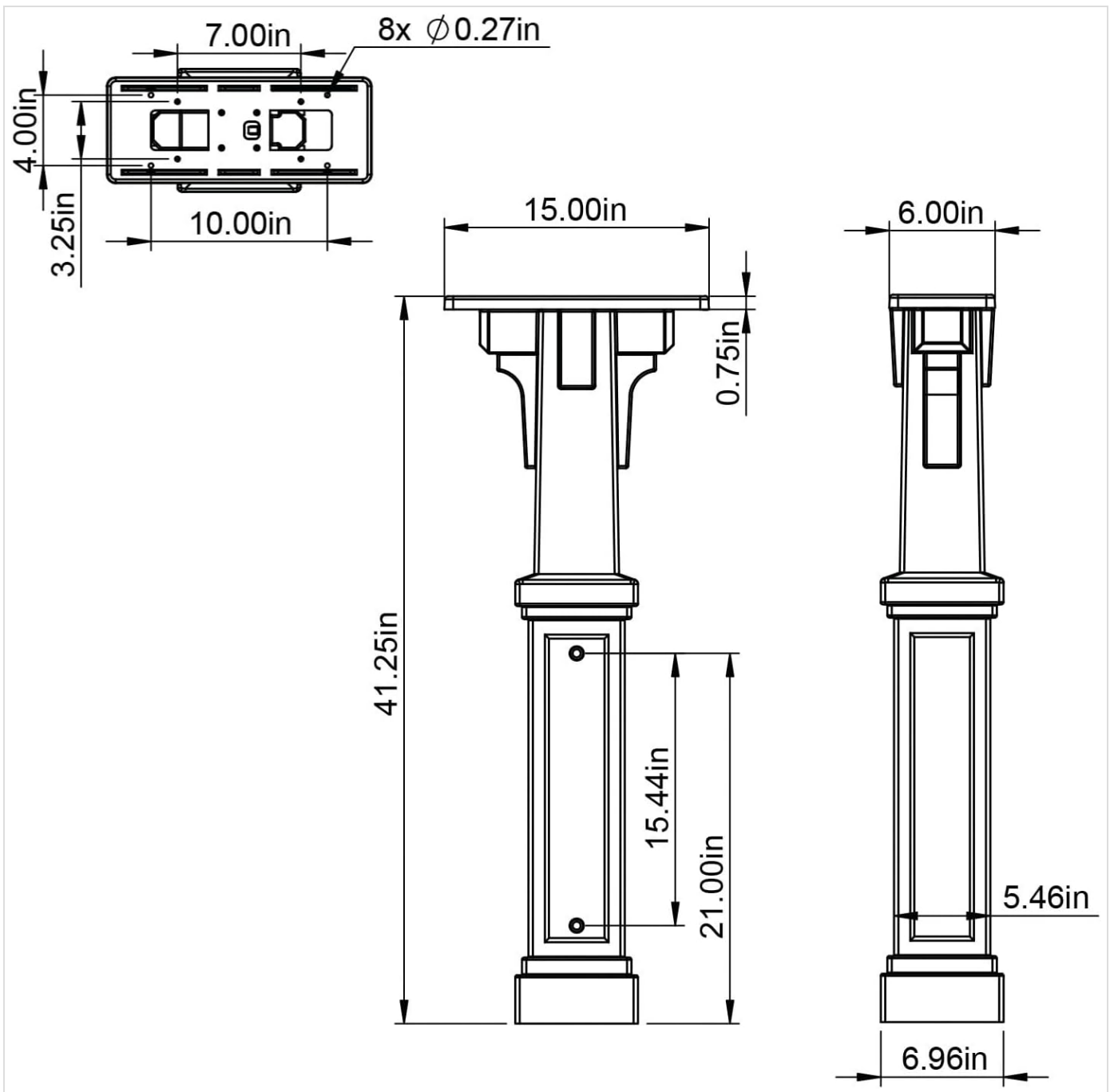


Figure 4: Detailed technical drawing of the mailbox post dimensions.

Made to Match Mounting Hole Pattern

Multiple mounting patterns = easy mailbox fit

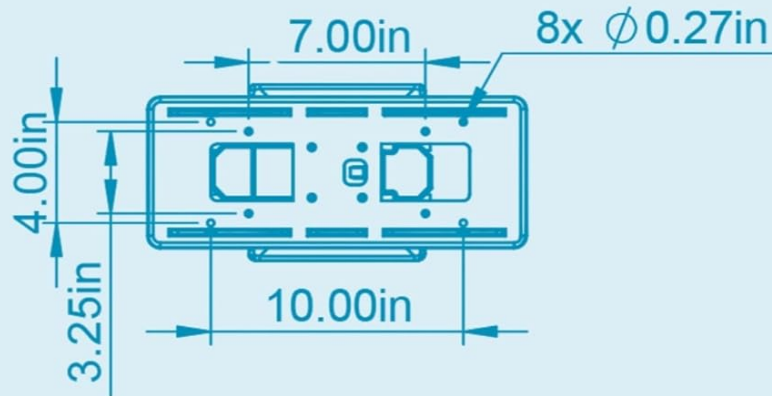


Figure 5: Mounting hole pattern details for compatible mailboxes.

5. USAGE GUIDELINES

The Grand Haven Plastic Mailbox Post is designed for use with Architectural Mailboxes' curbside mailboxes that are designated with compatibility codes A, B, C, or D. Ensure your chosen mailbox is compatible for proper fit and function.

Complete the Look

Compatible with
Architectural Mailboxes
with Code Letter:



*Mailbox sold separately

Figure 6: Mailbox compatibility codes.

6. MAINTENANCE

The Grand Haven Plastic Mailbox Post requires minimal maintenance. Its heavy-duty, rust-proof plastic construction and UV-inhibitor finish are designed for longevity. Periodically inspect the post for any signs of damage or instability. Clean with mild soap and water as needed to remove dirt and debris.

7. TROUBLESHOOTING

- **Post is wobbly:** Ensure the 4x4 wooden post is securely buried and, if necessary, reinforced with concrete. Verify that the plastic sheath is firmly attached to the wooden post with all four wood screws.
- **Mailbox does not fit:** Confirm that your mailbox is compatible with Architectural Mailboxes' codes A, B, C, or D. Check that the mounting board is correctly oriented and secured to the mailbox, and that the mailbox is properly aligned with the post tabs before sliding into place.
- **Fading or discoloration:** While the post has a UV-inhibitor finish, extreme prolonged exposure to harsh sunlight may eventually cause some minor changes. Regular cleaning can help maintain its appearance.

8. SPECIFICATIONS

Feature	Detail
Material	Plastic
Color	Black
Mounting Type	Post Mount (Slip-Over 4x4 Wood Post)
Item Dimensions (D x W x H)	15"D x 6.96"W x 41.25"H
Weight Capacity	Up to 50 lbs
Unit Count	1.0 Count
Included Components	Mailbox post, installation and mounting hardware
Manufacturer	Solar Group, Inc.

9. WARRANTY AND SUPPORT

For warranty information or technical support regarding your Architectural Mailboxes Grand Haven Plastic Mailbox Post, please contact Solar Group, Inc., the manufacturer. Refer to the product packaging or the manufacturer's official website for specific contact details and warranty terms.