

## VCM VCM918650

# VCM Esilo Kitchen Wall Cabinet 60cm - White/Anthracite Instruction Manual

Model: VCM918650 | Brand: VCM

## 1. IMPORTANT SAFETY INFORMATION

Please read these instructions carefully before installing the wall cabinet. The wall cabinet must only be mounted to a suitable wall and should not be overloaded. Improper use or installation can lead to injury or damage to the product and property.

- Ensure the wall is structurally sound and capable of supporting the cabinet's weight, including its contents.
- Use appropriate mounting hardware for your specific wall type (e.g., concrete, drywall, wood studs).
- Do not exceed the maximum weight capacity of the cabinet.
- Keep small parts out of reach of children during assembly.

## 2. PRODUCT OVERVIEW

The VCM Esilo Kitchen Wall Cabinet is a practical and modern storage solution designed for kitchen environments. It features a single door and one internal compartment, ideal for organizing dishes, tea, coffee, or other kitchen essentials. Its compact design makes it suitable for various kitchen layouts.

### Key Features:

- Practical wall-mounted design.
- Single door for easy access.
- One internal compartment for organized storage.
- Dimensions: Height 40 cm x Width 60 cm x Depth 31 cm.
- Stable construction from wood-based materials.



Figure 2.1: The VCM Esilo kitchen wall cabinet with a white side panel and an anthracite door, featuring a silver handle.

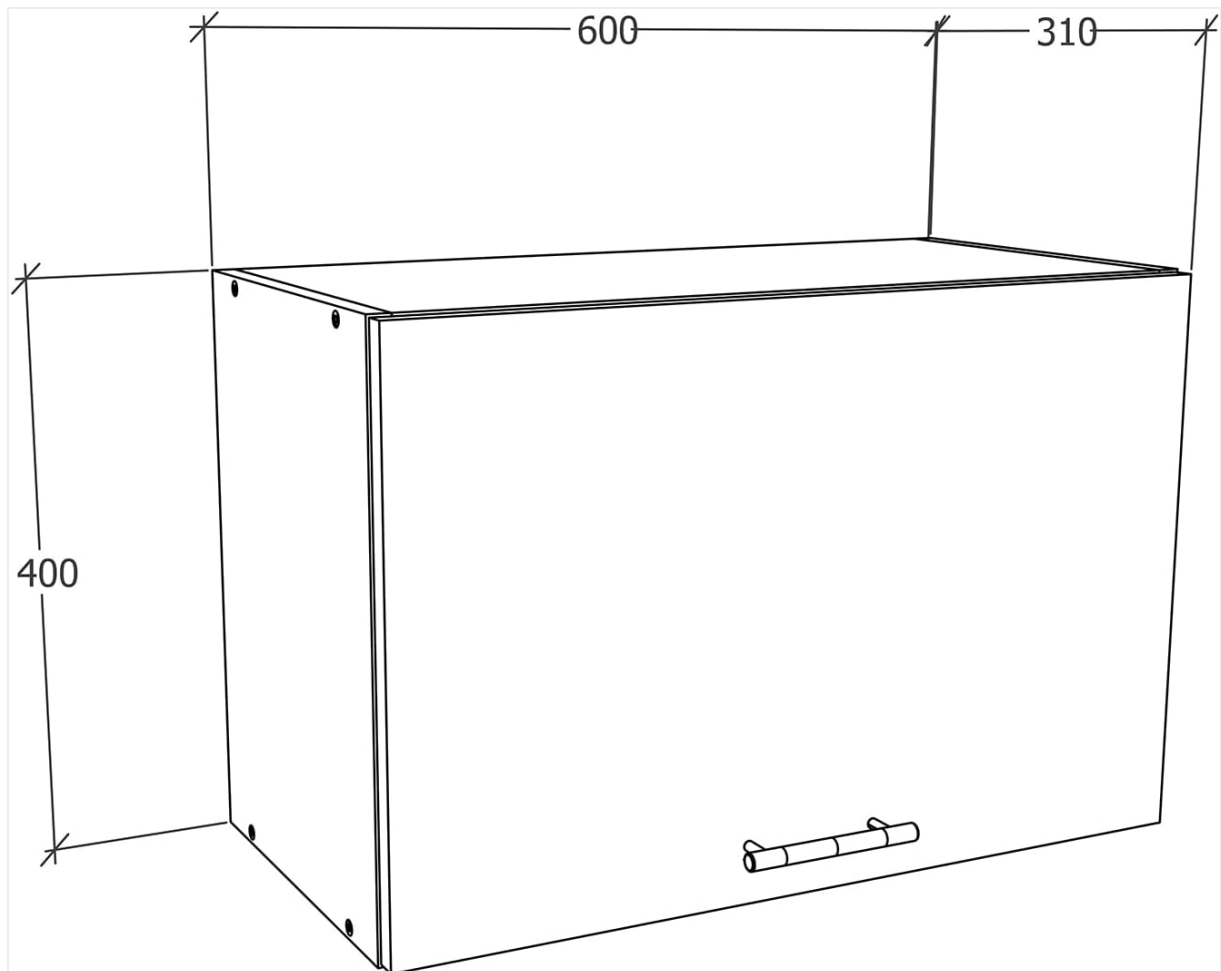


Figure 2.2: A line drawing illustrating the dimensions of the VCM Esilo kitchen wall cabinet: 600mm width, 310mm depth, and 400mm height.

### 3. PACKAGE CONTENTS

Before beginning assembly, please verify that all components listed below are present and undamaged.

- VCM Esilo Kitchen Wall Cabinet components

- Assembly hardware (screws, dowels, brackets, etc.)
- Simple assembly instructions (in Dutch)

## 4. SETUP & INSTALLATION

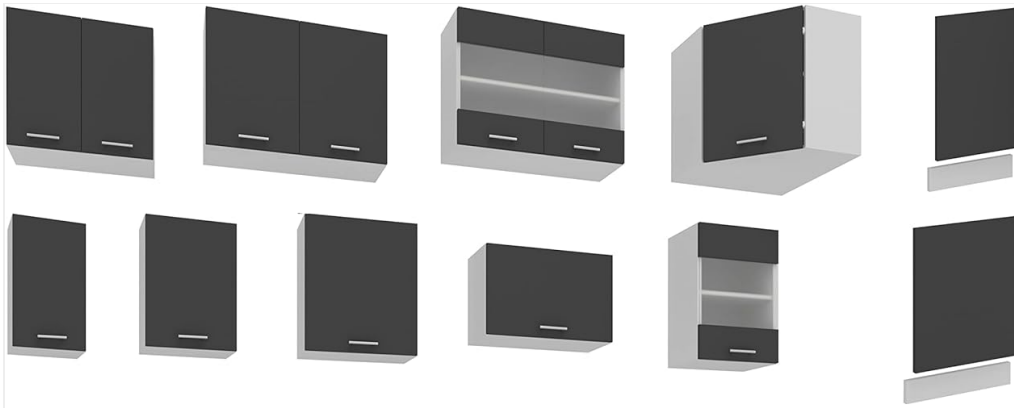
---

The VCM Esilo Kitchen Wall Cabinet is designed for wall mounting. Detailed assembly and installation instructions are included with your product. Please follow these instructions carefully to ensure safe and stable installation.

1. **Preparation:** Clear the installation area. Ensure you have the necessary tools (e.g., drill, screwdriver, level, measuring tape).
2. **Assembly:** Follow the step-by-step assembly guide provided in the package to construct the cabinet frame and attach the door.
3. **Wall Mounting:** Identify the desired location on the wall. Use a level to mark the drilling points accurately. Drill holes and insert appropriate wall anchors. Securely attach the cabinet to the wall using the provided mounting hardware.
4. **Final Checks:** Ensure the cabinet is level and firmly attached to the wall. Test the door operation.



*Figure 4.1: The VCM Esilo wall cabinet integrated into a modern kitchen setting, highlighting its design and functionality.*



## Serie VCM „Esilo“



Figure 4.2: An overview of different kitchen cabinet configurations available in the VCM Esilo series, including wall-mounted and base cabinets.

## 5. OPERATION

Operating the VCM Esilo Kitchen Wall Cabinet is straightforward.

- **Opening/Closing the Door:** Gently pull the handle to open the cabinet door. Push the door firmly until it closes completely.
- **Storage:** Utilize the internal compartment for storing kitchen items. Arrange items to distribute weight evenly and avoid overloading.

## 6. MAINTENANCE

To maintain the appearance and longevity of your VCM Esilo Kitchen Wall Cabinet, follow these simple maintenance guidelines:

- **Cleaning:** Wipe clean with a dry cloth. For stubborn marks, a slightly damp cloth with mild soap can be used, followed by drying immediately with a clean, dry cloth.
- **Avoid Harsh Chemicals:** Do not use abrasive cleaners, solvents, or harsh chemicals, as these can damage the surface finish.
- **Regular Checks:** Periodically check all screws and fittings to ensure they remain tight. Retighten if necessary.

## 7. TROUBLESHOOTING

If you encounter any issues with your VCM Esilo Kitchen Wall Cabinet, consider the following:

- **Cabinet feels unstable:** Ensure all wall mounting hardware is securely fastened and the wall is suitable for the cabinet's weight. Re-check assembly steps.
- **Door does not close properly:** Check hinges for proper alignment and tightness. Adjust if necessary. Ensure no obstructions are preventing the door from closing.
- **Missing parts:** Refer to the package contents list. If parts are missing, contact customer support.

## 8. SPECIFICATIONS

<b>Model Number</b>	VCM918650
<b>Product Dimensions (H x W x D)</b>	40 cm x 60 cm x 31 cm
<b>Weight</b>	12 kg
<b>Color</b>	White / Anthracite
<b>Material</b>	Wood-based materials (Holzwerkstoff)
<b>Handle Material</b>	Stainless steel
<b>Number of Doors</b>	1
<b>Number of Compartments</b>	1
<b>Mounting Type</b>	Wall Mount
<b>Assembly Required</b>	Yes
<b>Country of Origin</b>	Romania

## 9. WARRANTY & SUPPORT

For warranty claims or technical support, please contact VCM Morgenthaler GmbH directly.

- **Warranty Information:** For detailed warranty terms, please contact [service@vcm-gruppe.de](mailto:service@vcm-gruppe.de).
- **Spare Parts Availability:** Spare parts are available in the EU for a period of 2 years.
- **Manufacturer Contact:** VCM Morgenthaler GmbH, Ersteiner Straße 12, D-79346 Endingen, Germany.
- **Email:** [amazon@vcm-gruppe](mailto:amazon@vcm-gruppe)
- **Phone:** +49764290789310