

[Manuals.plus](#) /

› [VASAGLE](#) /

› VASAGLE Bathroom Floor Storage Cabinet LHC041P36 Instruction Manual

VASAGLE LHC041P36

VASAGLE Bathroom Floor Storage Cabinet LHC041P36 Instruction Manual

Model: LHC041P36

1. PRODUCT OVERVIEW

The VASAGLE Bathroom Floor Storage Cabinet, model LHC041P36, is a freestanding storage unit designed for bathrooms and other living spaces. It features four drawers, one door with an adjustable shelf, and a tabletop for assorted storage needs. Its compact design maximizes storage in limited spaces.



Image 1.1: The VASAGLE Bathroom Floor Storage Cabinet (LHC041P36) in a bathroom setting, showcasing its design and storage capabilities.

VASAGLE

by SONGMICS HOME



Image 1.2: The cabinet displaying various items stored on its tabletop, within its four drawers, and behind the single door.

2. SAFETY INFORMATION

Please read and understand all safety instructions before assembly and use. Retain this manual for future reference.

- The cabinet is designed to be moisture resistant to a certain extent. Avoid prolonged contact with large amounts of water to prevent cracking and deformation of the material.
- Always attach the cabinet to the wall using the enclosed anti-tip protection kit to ensure stability and prevent accidental tipping, especially in households with children or pets.
- Do not overload the cabinet or its shelves. Refer to the specifications section for maximum weight

capacities.

- Ensure all screws and fasteners are securely tightened during assembly. Periodically check and re-tighten if necessary.

Anti-Tip Kit

Prevents tipping over to create a safer living space



Image 2.1: Illustration of the anti-tip kit installation, showing the bracket securing the cabinet to the wall for enhanced safety.

3. SETUP AND ASSEMBLY

Assembly is required for this product. Please follow the included detailed instructions carefully. All parts are marked for easy identification.

1. **Unpack and Verify:** Carefully unpack all components and lay them out. Verify that all parts and

hardware listed in the instruction manual are present.

2. **Prepare Tools:** Gather necessary tools, typically a screwdriver. Avoid using power drills unless explicitly instructed, as this may damage the engineered wood material.
3. **Follow Step-by-Step Instructions:** Refer to the separate assembly manual provided with your product. Each step is illustrated and parts are numbered/lettered for clarity.
4. **Secure Connections:** Ensure all screws and fasteners are tightened firmly but do not overtighten to prevent stripping or damage.
5. **Install Anti-Tip Kit:** Once the cabinet is assembled, install the anti-tip kit as described in the safety section and the assembly manual. This is a critical safety step.

If any parts are missing or damaged, please contact customer support before proceeding with assembly.

4. OPERATING INSTRUCTIONS

The VASAGLE Bathroom Floor Storage Cabinet offers versatile storage options:

- **Top Surface:** Use the tabletop for frequently accessed items, decorative pieces, or small plants.
- **Drawers:** The four drawers are ideal for organizing smaller items such as cosmetics, hygiene products, or accessories. Each drawer is equipped with a plastic stopper to prevent it from accidentally falling out when fully extended.
- **Adjustable Shelf:** Behind the single door, there is an adjustable shelf that can be set at three different heights. This allows you to customize the storage space to accommodate items of varying sizes, from tall bottles to folded towels.



Image 4.1: Visual guide to categorized storage, showing how to organize off-used items on top, small items in drawers, and big items behind the door.

Adjustable Shelf

Adjusts to 3 different heights to fit items of varying sizes

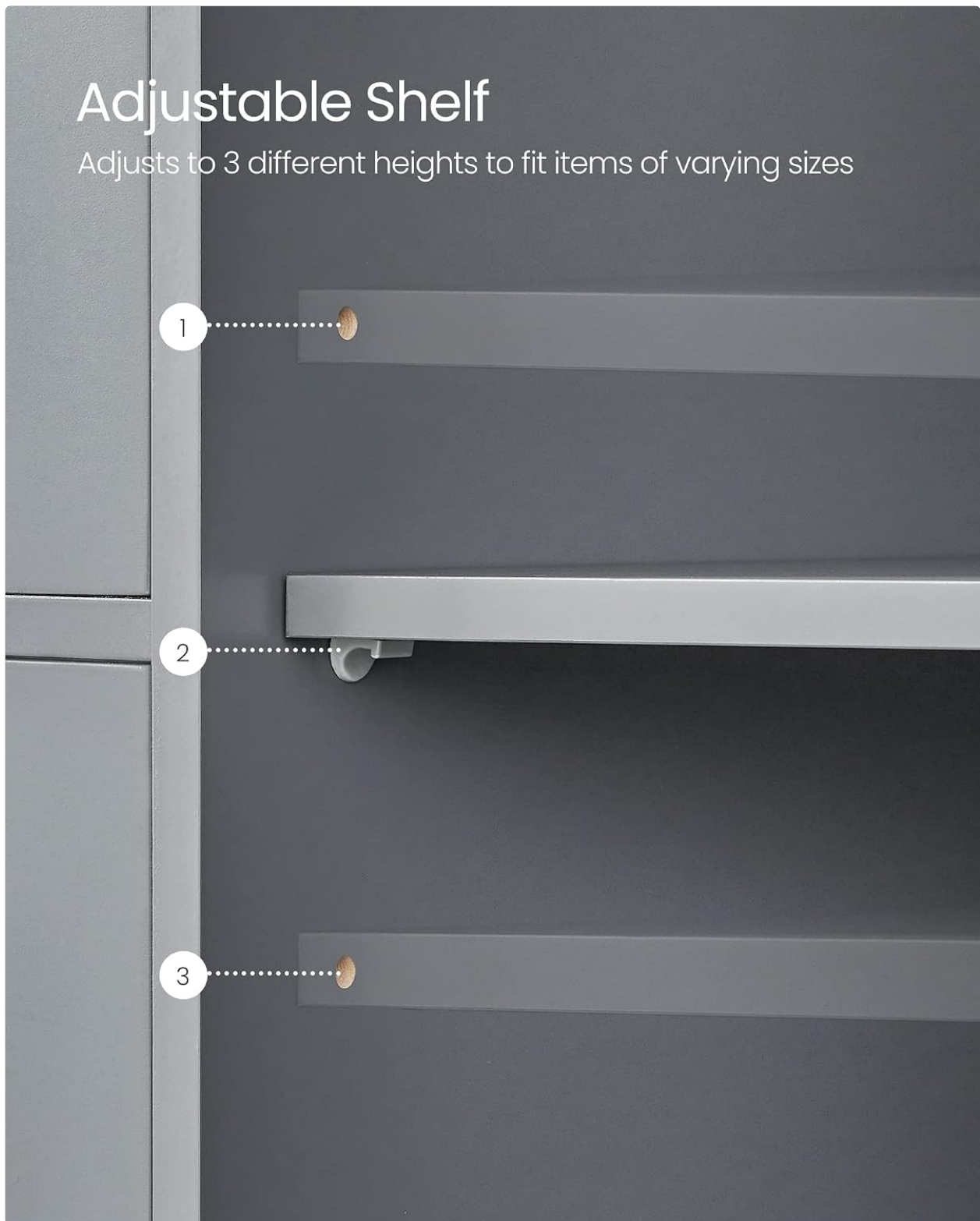


Image 4.2: Detail showing the three possible height adjustments for the shelf behind the cabinet door.

Safe and Practical

The plastic stopper prevents the drawer from falling out



Plastic Stopper

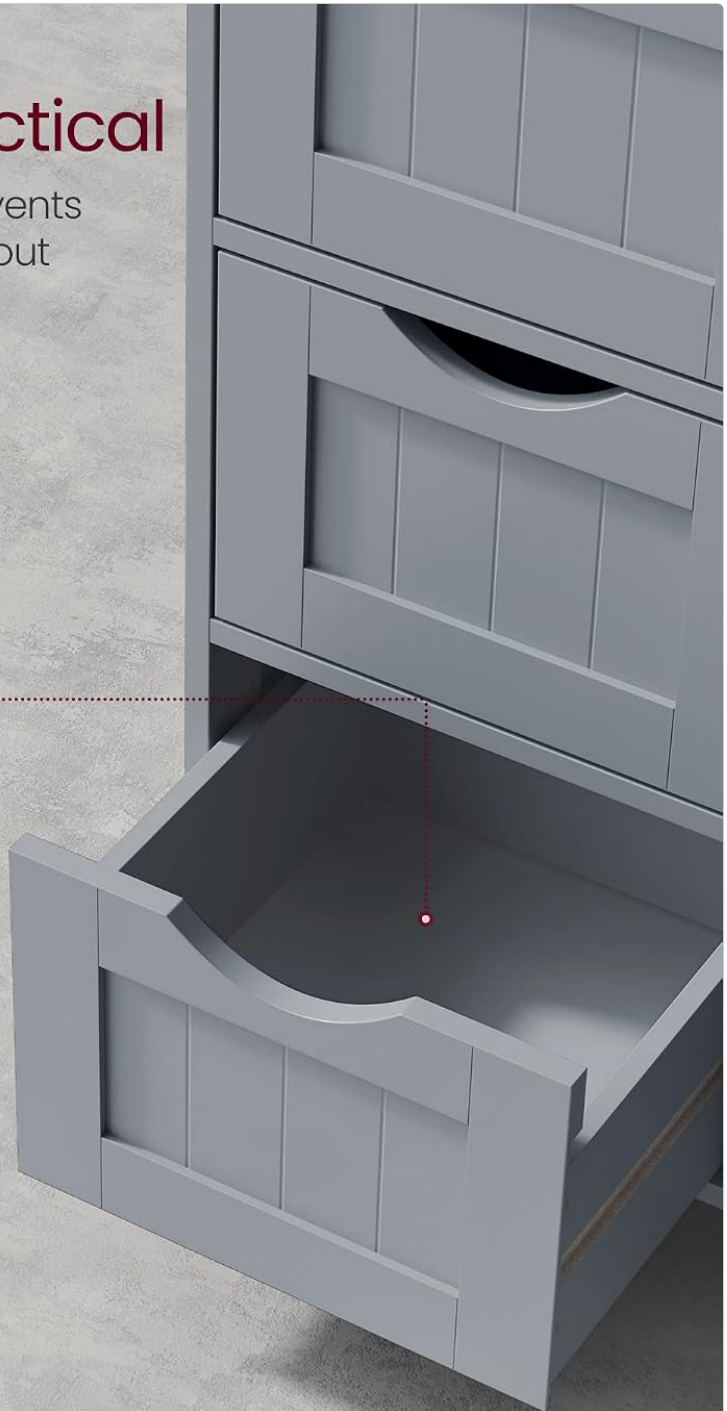


Image 4.3: View of an open drawer, highlighting the integrated plastic stopper designed to prevent accidental drawer removal.



Image 4.4: A hand demonstrating the placement of items into one of the cabinet's drawers.

5. MAINTENANCE

To ensure the longevity and appearance of your VASAGLE Bathroom Floor Storage Cabinet, follow these maintenance guidelines:

- **Cleaning:** Wipe the cabinet surfaces with a dry, soft cloth. For stubborn marks, a slightly damp cloth followed immediately by a dry cloth can be used. Avoid abrasive cleaners or harsh chemicals, as these can damage the finish.
- **Moisture Protection:** While the cabinet is moisture resistant, it is not waterproof. Promptly wipe away any spills or standing water to prevent damage to the engineered wood.
- **Regular Checks:** Periodically check all hardware connections (screws, hinges, drawer slides) and tighten them if they have become loose.
- **Avoid Direct Sunlight:** Prolonged exposure to direct sunlight can cause fading or discoloration of the finish.



Image 5.1: Demonstrating how to wipe the cabinet surface with a cloth to remove moisture.

6. TROUBLESHOOTING

If you encounter any issues with your cabinet, refer to the following common solutions:

- **Wobbly Cabinet:** Ensure the cabinet is placed on a level surface. Check all assembly screws and tighten any that are loose. Verify the anti-tip kit is securely installed.
- **Drawers Not Sliding Smoothly:** Check for any obstructions in the drawer slides. Ensure the drawer is correctly aligned on its runners.
- **Door Not Closing Properly:** Inspect hinges for proper alignment and tightness. Adjust if necessary.
- **Water Damage/Swelling:** If the engineered wood shows signs of swelling due to moisture, ensure the area is dried immediately. Prevent further exposure to water. Significant damage may require replacement of affected parts.

For issues not covered here, please contact customer support.

7. SPECIFICATIONS

Feature	Detail
Brand	VASAGLE
Model Number	LHC041P36
Colour	Dove Grey
Material	Engineered Wood (MDF or chipboard)
Product Dimensions (D x W x H)	30 x 55 x 82 cm (11.8D x 21.7W x 32.3H inches)
Item Weight	12.5 Kilograms
Number of Drawers	4
Number of Doors	1
Number of Shelves	3 (1 adjustable behind door)
Installation Type	Freestanding
Special Features	Adjustable Shelf, Removable Shelf, Scratch Resistant
Maximum Weight Capacity (Top)	45 kg (100 lb)
Maximum Weight Capacity (Shelf)	8 kg (20 lb)

Occupies a small footprint
yet offers lots of storage



Image 7.1: Diagram illustrating the overall dimensions and individual weight capacities for the top surface and internal shelf.

8. WARRANTY AND SUPPORT

For warranty information, product support, or to order replacement parts, please refer to the contact information provided with your purchase or visit the official VASAGLE website. Keep your purchase receipt as proof of purchase.

Online Resources:

- [Visit the VASAGLE Store on Amazon](#)

