



[Manuals.plus](#) /

> [AMEYXGS](#) /

> AMEYXGS Archery Compound Bow Instruction Manual

AMEYXGS warship

AMEYXGS Archery Compound Bow Instruction Manual

Model: warship | Brand: AMEYXGS

1. SAFETY INFORMATION

Archery can be a dangerous activity if proper safety precautions are not followed. Always prioritize safety to prevent injury to yourself and others. Read and understand all instructions before using this product.

- **Never dry-fire the bow:** Releasing the string without an arrow can cause severe damage to the bow and potential injury to the user.
- Always wear appropriate protective gear, including eye protection and an armguard.
- Ensure your shooting area is clear of people, animals, and obstructions. Be aware of your surroundings and what lies beyond your target.
- Inspect your bow and arrows before each use for any signs of damage or wear. Do not use damaged equipment.
- Keep fingers, clothing, and other objects clear of the bowstring and cams when drawing or releasing.
- Store the bow in a safe place, out of reach of children and unauthorized users.
- Seek professional guidance if you are new to archery or unsure about any aspect of bow operation or maintenance.

2. PACKAGE CONTENTS

The AMEYXGS Archery Compound Bow Kit includes the following components:

- Compound Bow
- Bow Sight
- Arrow Rest
- Stabilizer
- Wrist Sling
- Allen Wrenches (for adjustments)
- 6 x Mixed Carbon Arrows

provided screws and Allen wrench. Ensure it is firmly attached but do not overtighten.



Figure 3.1: Bow sight attachment point.

2. Attach the Arrow Rest:

The arrow rest mounts on the opposite side of the riser from the sight. Secure it using the designated screw and Allen wrench. This component supports the arrow before and during the shot.



Figure 3.2: Arrow rest attachment point.

3. Attach the Stabilizer:

Screw the stabilizer into the threaded hole at the front of the bow's riser. This helps to balance the bow and reduce vibration during the shot.

4. Attach the Wrist Sling:

Thread the wrist sling through the designated attachment point near the grip. This prevents the bow from falling after release.

5. Adjust Draw Weight and Draw Length:

The bow's draw weight (30-55 lbs) and draw length (24-29.5 inches) are adjustable. Use the provided Allen wrenches to make these adjustments. Refer to the diagram for specific adjustment points. **No bow press is needed for these adjustments.**



Figure 3.3: Adjustable draw weight and draw length mechanisms.

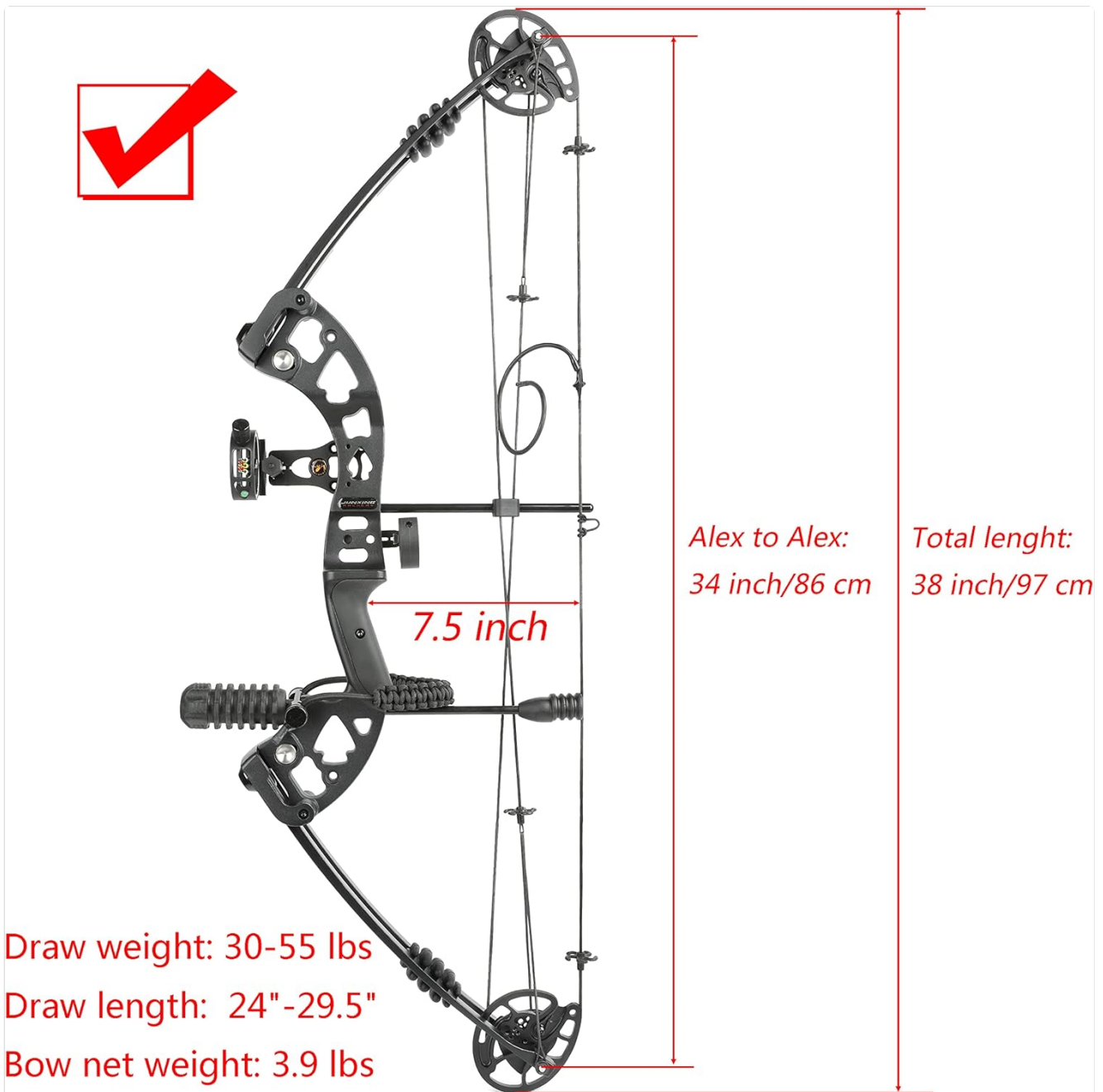


Figure 3.4: Bow dimensions and specifications.

For a comprehensive visual guide on assembly and setup, please watch the video below:

Your browser does not support the video tag.

Video 3.1: Detailed assembly and setup instructions for the AMEYXGS Archery Compound Bow.

4. OPERATING INSTRUCTIONS

Once your bow is assembled and adjusted, you are ready to begin shooting. Always ensure you are in a safe environment and wearing protective gear.

- **Nocking the Arrow:** Place the arrow on the arrow rest and attach the nock to the bowstring at the designated nocking point.
- **Grip:** Hold the bow firmly but relaxed, ensuring your hand is positioned correctly on the grip.
- **Stance:** Stand with your feet shoulder-width apart, perpendicular to the target.
- **Drawing the Bow:** Smoothly draw the bowstring back to your anchor point, using your back muscles rather than just your arm.

- **Aiming:** Use the bow sight to align your shot with the target.
- **Release:** Execute a smooth and consistent release of the bowstring.



Figure 4.1: Proper shooting form with the compound bow.

For a visual demonstration of shooting the compound bow, please refer to the video below:

Your browser does not support the video tag.

Video 4.1: Demonstration of loading an arrow and shooting the AMEYXGS Archery Compound Bow.

5. MAINTENANCE

Regular maintenance will ensure the longevity and optimal performance of your compound bow.

- **String and Cable Care:** Regularly inspect the bowstring and cables for fraying or wear. Apply bowstring wax periodically to protect them from moisture and friction.
- **Limb Inspection:** Check the limbs for any cracks, twists, or delamination. If any damage is found, discontinue use immediately.
- **Cam and Axle Maintenance:** Keep the cams and axles clean and free of debris. Apply a small amount of lubricant to the axles as recommended by an archery professional.
- **Storage:** Store your bow in a cool, dry place, away from extreme temperatures and humidity. A bow case is recommended for protection during storage and transport.
- **Cleaning:** Wipe down the bow with a soft, dry cloth after each use to remove dirt and moisture.

6. TROUBLESHOOTING

This section addresses common issues you might encounter with your compound bow.

Problem	Possible Cause	Solution
Inconsistent Shot Accuracy	Improper form, loose accessories, damaged arrow fletching, incorrect draw weight/length.	Review shooting form, ensure all accessories are tightened, inspect arrows for damage, verify draw weight/length settings.
Excessive Noise/Vibration	Loose accessories, worn string/cables, stabilizer not properly installed.	Check and tighten all screws, inspect string/cables for wear and wax if needed, ensure stabilizer is secure.
Arrow Falling Off Rest	Arrow rest misalignment, incorrect nocking point.	Adjust arrow rest position, verify nocking point is secure and correctly placed.

If you encounter issues not listed here or if solutions do not resolve the problem, consult with a qualified archery technician.

7. PRODUCT SPECIFICATIONS

Feature	Detail
Model Name	warship
Brand	AMEYXGS
Color	Black (also available in CAMO)
Material	Aluminum
Hand Orientation	Right Hand
Draw Weight	30-55 lbs
Draw Length	24-29.5 inches
Let Off	70%
Speed (IBO)	310 fps
Axle to Axle	34 inches

Feature	Detail
Brace Height	7.5 inches
Bow Net Weight	3.9 lbs
Item Package Dimensions	34 x 14 x 3 inches

8. WARRANTY AND SUPPORT

For specific warranty information and details regarding product support, please refer to the documentation included with your purchase or contact AMEYXGS customer service directly.

An official PDF user manual is also available for download: [AMEYXGS Compound Bow User Manual \(PDF\)](#).

For further assistance, visit the [AMEYXGS Store on Amazon](#).