

## Kaldewei 358047982674

# Kaldewei Superplan Zero Shower Tray Instruction Manual

Model: 358047982674 | Brand: Kaldewei

## 1. INTRODUCTION

---

The Kaldewei Superplan Zero shower tray is an extra-flat, barrier-free shower solution designed for modern bathrooms. This model, measuring 1400mm in length and 1000mm in width, features a low installation height for easy floor mounting, ensuring a seamless and harmonious transition with the surrounding floor. Its uniform surface and precise design allow for installation very close to the wall with an even slope for efficient drainage. This manual provides essential information for the safe and correct installation, operation, and maintenance of your Kaldewei Superplan Zero shower tray.



Image 1.1: The Kaldewei Superplan Zero shower tray, 1400x1000mm, installed flush with the bathroom floor, showcasing its elegant, extra-flat design and dark grey finish with a central drain.

## 2. SETUP AND INSTALLATION

---

Proper installation is crucial for the functionality and longevity of your Kaldewei Superplan Zero shower tray. It is recommended that installation be performed by a qualified professional.

### 2.1. Required Components (Sold Separately)

- Cutting protection strips
- Enamelled drain cover
- Drain set with hair filter
- Appropriate sealing materials
- Shower tray support system (if not integrated)

### 2.2. Pre-Installation Checks

1. Ensure the subfloor is level, clean, and structurally sound to support the weight of the shower tray and water.

2. Verify that the drainage connection point is correctly positioned and accessible.
3. Unpack the shower tray carefully and inspect it for any damage. Do not install a damaged product.
4. Confirm all necessary additional components are present.

### 2.3. Installation Steps

1. **Prepare the Subfloor:** Create a recess in the floor for the shower tray and its support system, ensuring the correct depth for a flush installation.
2. **Install Support System:** Place the extra-flat bath support (kuipdrager) into the prepared recess. Ensure it is perfectly level and stable.
3. **Connect Drain:** Install the drain set with hair filter to the shower tray. Carefully position the shower tray onto the support system, aligning the drain with the floor connection. Secure the drain connection according to the drain manufacturer's instructions, ensuring a watertight seal.
4. **Leveling:** Fine-tune the leveling of the shower tray to ensure proper water drainage. The tray is designed with an even slope.
5. **Sealing:** Apply appropriate waterproofing and sealing materials around the edges of the shower tray where it meets the wall and floor, following local building codes and manufacturer guidelines. Use cutting protection strips as needed.
6. **Install Drain Cover:** Once the tray is securely in place and sealed, install the enamelled drain cover.

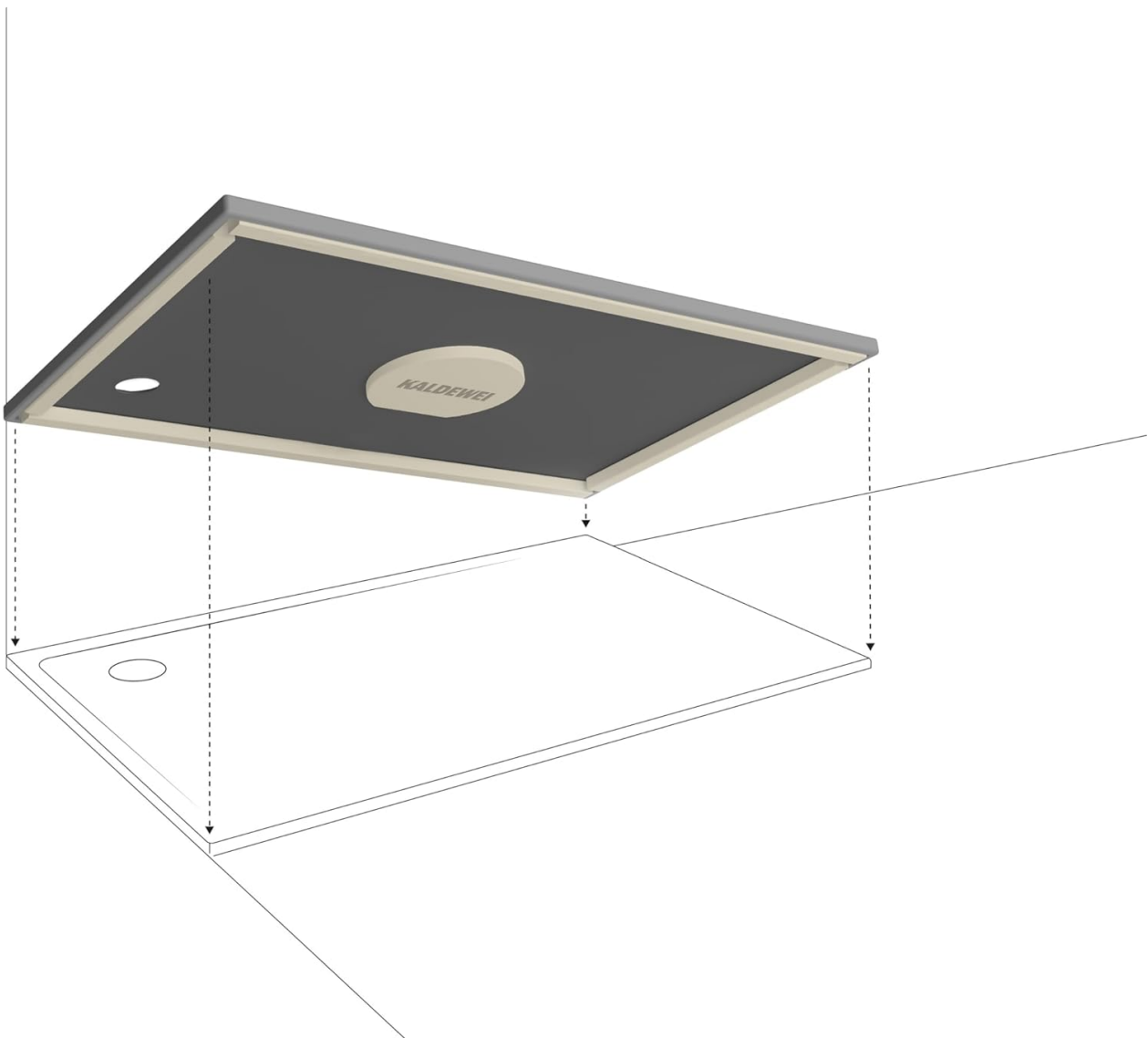


Image 2.1: An illustrative diagram demonstrating the installation process of the Kaldewei Superplan Zero shower tray, highlighting its extra-flat design and how it integrates into the floor with its support system.

### 3. OPERATING INSTRUCTIONS

---

The Kaldewei Superplan Zero shower tray is designed for straightforward use in a shower environment. Once correctly installed, its operation is intuitive.

#### 3.1. General Use

- Ensure the drain cover is properly seated before showering.
- The tray's even slope ensures efficient water drainage during and after use.
- The Secure Plus finish provides enhanced slip resistance for safety.



Image 3.1: A close-up view of the Kaldewei Superplan Zero shower tray, highlighting its flush installation and the quality of the enamelled steel surface in Warm Grey 85.

### 4. MAINTENANCE AND CLEANING

---

Regular cleaning and proper maintenance will preserve the appearance and functionality of your Kaldewei Superplan Zero shower tray.

## 4.1. Daily Cleaning

- After each use, rinse the shower tray with clean water to remove soap residue and hair.
- Wipe the surface with a soft cloth or sponge.

## 4.2. Deep Cleaning

- For more thorough cleaning, use a mild, non-abrasive bathroom cleaner. Apply with a soft cloth or sponge.
- Avoid using abrasive cleaners, scouring pads, or harsh chemicals (e.g., strong acids or alkalis) as these can damage the enamelled surface and the Secure Plus finish.
- Rinse thoroughly with water after cleaning and dry with a soft cloth to prevent water spots.

## 4.3. Drain Maintenance

- Periodically remove the drain cover and clean the hair filter to prevent blockages and ensure efficient drainage.
- Use a drain cleaner specifically designed for bathroom drains if blockages occur, following the product's instructions carefully.

# 5. TROUBLESHOOTING

---

This section addresses common issues you might encounter with your shower tray.

## 5.1. Slow Drainage

- **Check Hair Filter:** The most common cause is a clogged hair filter. Remove the drain cover and clean the hair filter thoroughly.
- **Drain Blockage:** If the filter is clear, there might be a blockage further down the drainpipe. Use a suitable drain cleaner or consult a plumber.

## 5.2. Leaks Around the Tray

- **Inspect Seals:** Check the silicone or sealing joints around the edges of the shower tray. Over time, seals can degrade. Reapply sealant if necessary.
- **Drain Connection:** A leak might originate from the drain connection. This often requires professional inspection and repair.

## 5.3. Stains on the Surface

- **Hard Water Stains:** Use a descaling agent suitable for enamelled surfaces, following the product instructions. Regular drying after use can prevent these.
- **Other Stains:** For stubborn stains, try a mild, non-abrasive cleaner. Avoid harsh chemicals that could damage the enamel.

# 6. SPECIFICATIONS

---

<b>Brand</b>	Kaldewei
<b>Model Name</b>	Superplan Zero

<b>Model Number</b>	358047982674
<b>Dimensions (Length x Width)</b>	1400 mm x 1000 mm
<b>Material</b>	Enamelled Steel
<b>Color</b>	Warm Grey 85 with Secure Plus
<b>Features</b>	Extra-flat, barrier-free access, low installation height, harmonious transitions, uniform surface, Secure Plus anti-slip finish.
<b>Included Components</b>	Kaldewei Superplan Zero shower tray with extra flat bath support

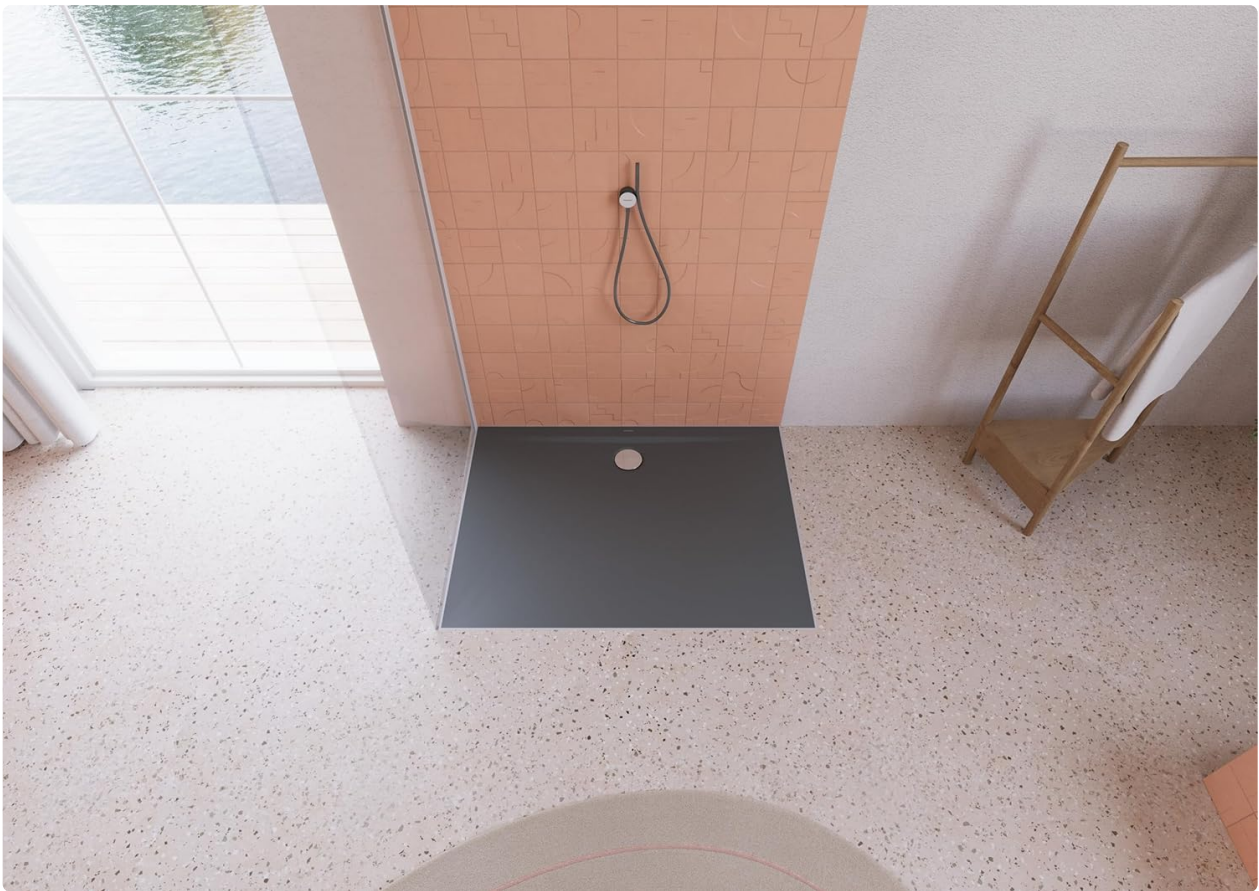


Image 6.1: An overhead perspective of the Kaldewei Superplan Zero shower tray, illustrating its precise dimensions and the central placement of the drain.

## 7. WARRANTY AND SUPPORT

Kaldewei products are manufactured to high-quality standards. For specific warranty information, please refer to the warranty card included with your product or visit the official Kaldewei website. In case of technical issues or questions not covered in this manual, please contact Kaldewei customer support or your authorized dealer.

**Kaldewei Official Website:** [www.kaldewei.com](http://www.kaldewei.com)

Please have your model number (358047982674) and purchase date ready when contacting support.

