



Manuals.plus /

› PURPLE LEAF /

› PURPLE LEAF Extra Large Outdoor Chaise Lounge (Model ZY04-CLS03-ATPLUS-GY) Instruction Manual

PURPLE LEAF ZY04-CLS03-ATPLUS-GY

PURPLE LEAF Extra Large Outdoor Chaise Lounge (Model ZY04-CLS03-ATPLUS-GY) Instruction Manual

Brand: PURPLE LEAF | Model: ZY04-CLS03-ATPLUS-GY

1. PRODUCT OVERVIEW

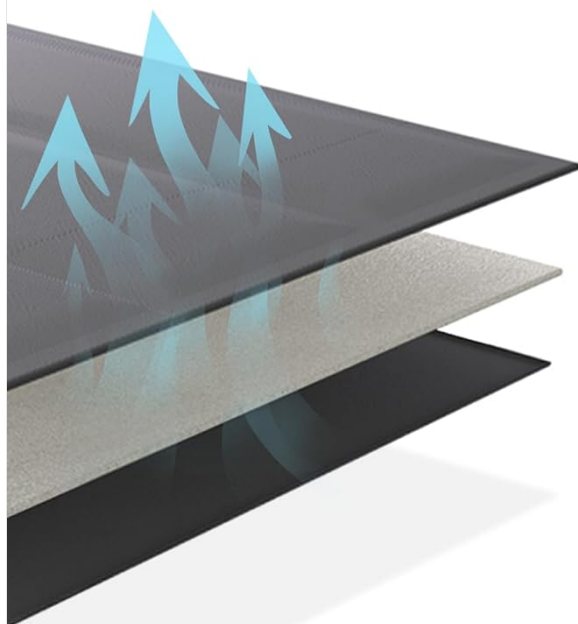
The PURPLE LEAF Extra Large Outdoor Chaise Lounge is designed for comfort and durability in outdoor environments. This set includes two oversized chaise lounges and one matching side table, perfect for patios, poolsides, beaches, or sunbathing areas.

- **Enhanced Size:** Wider and longer than standard models to provide ample space for relaxation.
- **Robust Construction:** Features a sturdy aluminum frame that is waterproof and rust-resistant, ensuring longevity.
- **Premium Comfort:** Equipped with Textilene fabric and sponge filling, offering UV-resistance, water-repellency, quick-drying properties, and breathability for optimal comfort even on hot days.
- **Adjustable Reclining:** The backrest offers 5 adjustable positions to suit various preferences, from sitting upright to fully reclining.
- **Convenient Mobility:** Integrated wheels allow for easy relocation of the chaise lounges.
- **Integrated Side Table:** A compact side table is included for holding drinks, snacks, or personal items.

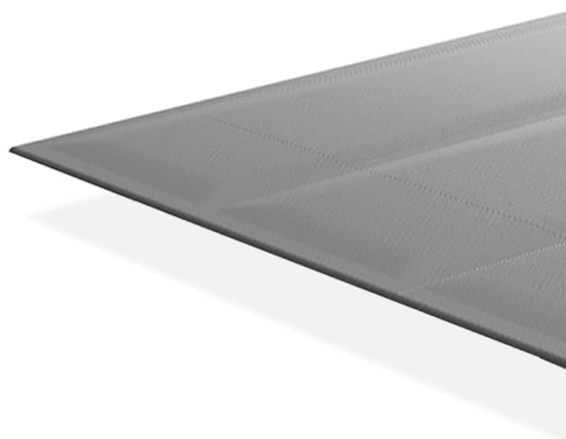


Image 1: The PURPLE LEAF Extra Large Outdoor Chaise Lounge set by a pool.

Double-layer Textilene with Sponge



Single-layer Textilene



✓	Not easy to tear, collapse, deform	✗
✓	Quick-drying	✗
✓	Breathable & comfortable	✗
✓	Carefully measured textilene	✗

Image 2: Detailed dimensions of the chaise lounge and side table, highlighting the longer and wider design.

2. SAFETY INFORMATION

Please read and understand all safety warnings before assembly and use.

- **Weight Capacity:** Each chaise lounge has a maximum weight capacity of 320 lbs. Do not exceed this limit to prevent injury or product damage.
- **Stability:** Always ensure the chair is on a stable, level surface before use.
- **Wheels:** The integrated wheels are for easy movement. Exercise caution when moving the chair to prevent unintended movement or accidents.
- **Assembly:** Follow all assembly instructions carefully. Ensure all fasteners are securely tightened before use.

3. SETUP AND ASSEMBLY

Assembly is required for this product. Please follow the steps below carefully. It is recommended to have two people for easier assembly.

3.1 Unpacking

1. Carefully open the packaging and remove all components.
2. Verify that all parts listed in the packing list are present and undamaged.
3. Place all components on a soft, clean surface to prevent scratches during assembly.

3.2 Assembly Steps

Refer to the included detailed instructions and diagrams for specific fastening points. The general steps are as follows:

1. Attach the main frame sections together using the provided hardware.
2. Secure the backrest mechanism to the main frame.
3. Install the wheels onto the designated legs of the chaise lounge.
4. Assemble the side table by attaching its legs to the tabletop.
5. Ensure all screws and bolts are tightened securely. Do not overtighten.

LONGER & LARGER THAN AVERAGE

Providing a comfortable spot to stretch out your body without feeling cramped.

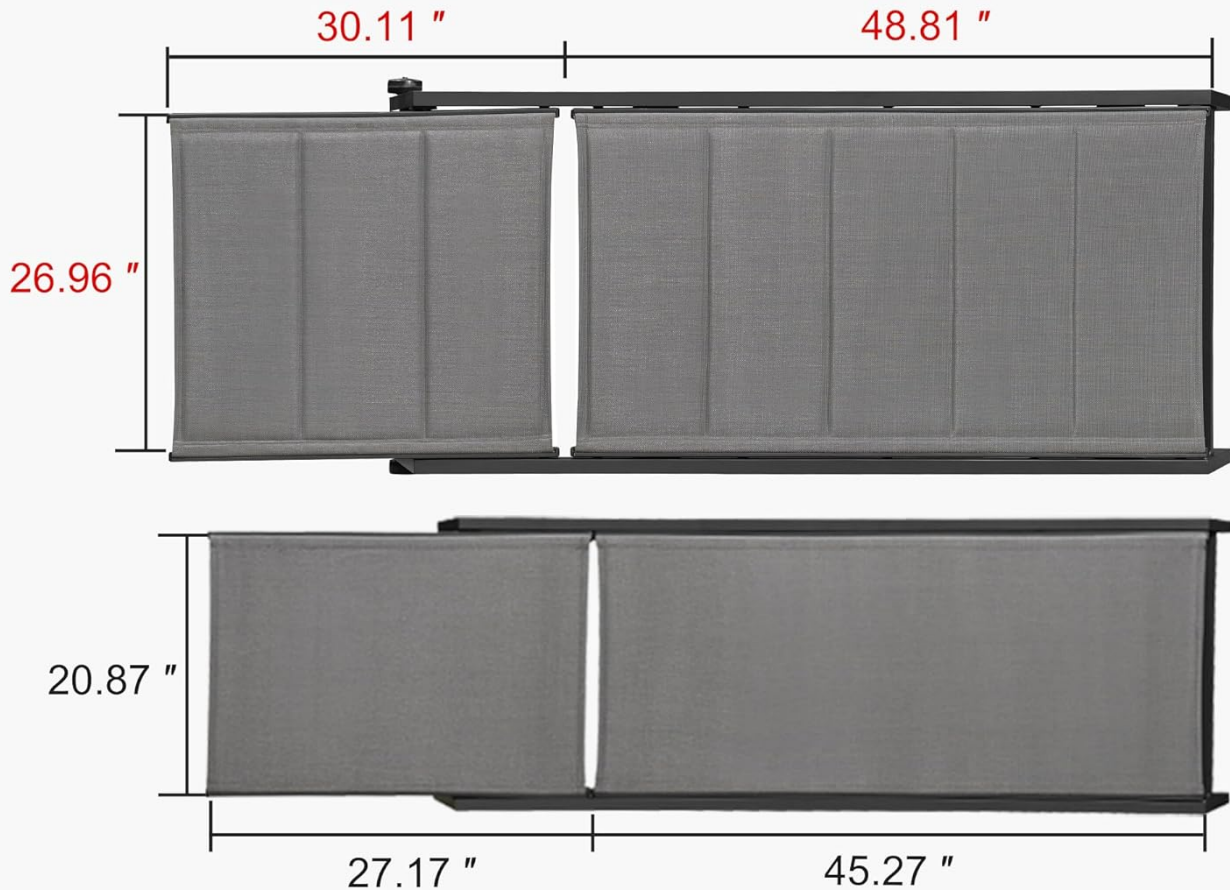


Image 3: Overview of components for assembly.

3.3 Assembly Videos

Your browser does not support the video tag.

Video 1: This video demonstrates the assembly process for the PURPLE LEAF outdoor chaise lounge, showing how components fit together.

Your browser does not support the video tag.

Video 2: This video provides a general overview of the PURPLE LEAF Outdoor Chaise Lounge, including glimpses of its features and design.

4. OPERATING INSTRUCTIONS

4.1 Adjusting the Backrest

The chaise lounge features 5 adjustable positions for the backrest, allowing you to find your preferred angle for reading, relaxing, or sunbathing.

1. To adjust, lift the backrest slightly.
2. Move the backrest to the desired position, aligning the support bar with one of the five notches.
3. Ensure the backrest is securely locked into place before use.

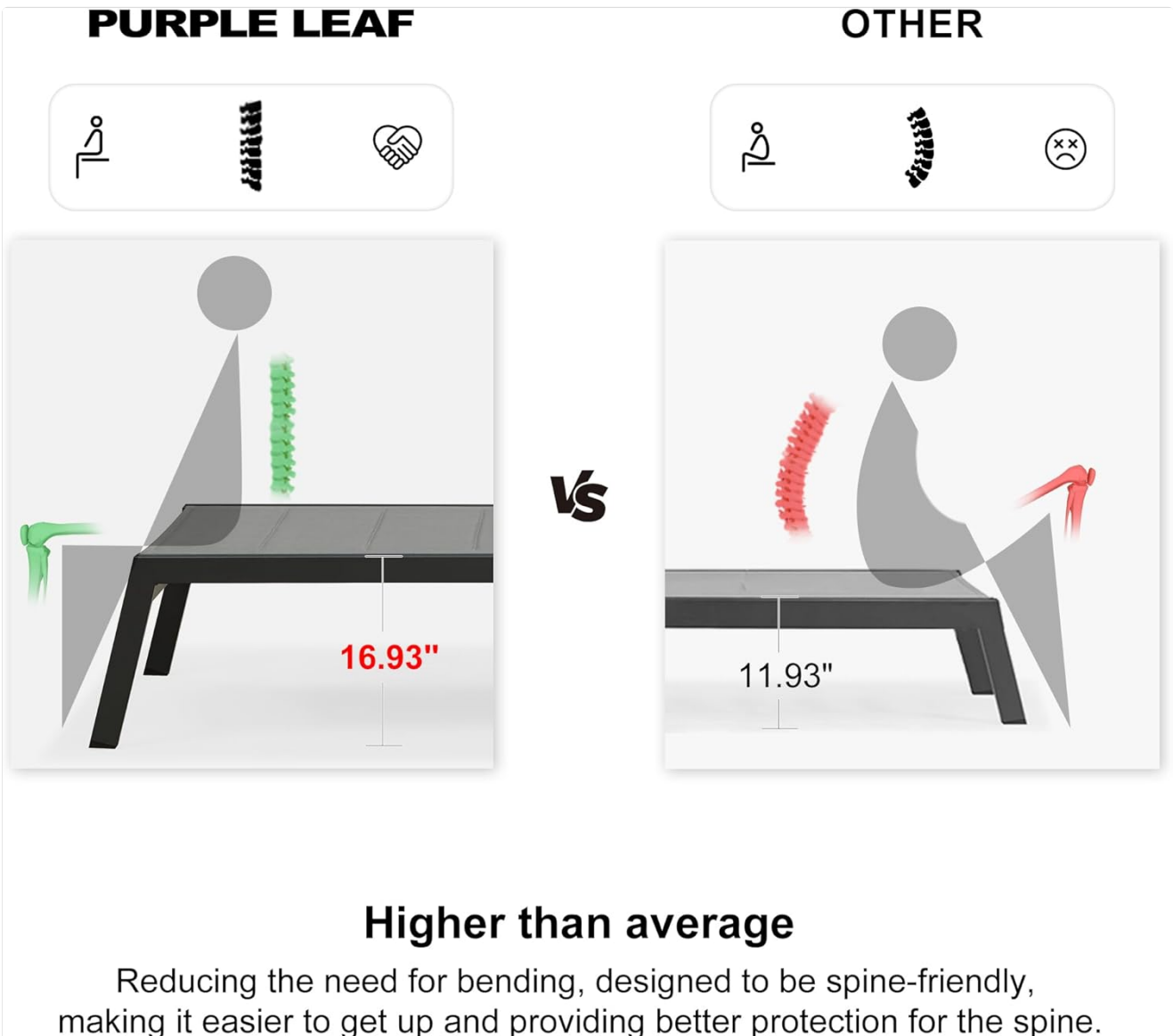


Image 4: Illustration of the five adjustable backrest positions for personalized comfort.

4.2 Moving the Chaise Lounge

The chaise lounges are equipped with two wheels for easy mobility.

1. Slightly lift the end of the chaise lounge opposite the wheels.
2. Roll the chaise lounge to your desired location.
3. Lower the chaise lounge gently onto all four legs to ensure stability.

REINFORCED FRAME DESIGN

PURPLE LEAF



Other



Powder coated aluminum



Enhanced durability



Rust resistant



Aesthetics & lightweight



Image 5: Detail of the integrated wheels for easy movement.

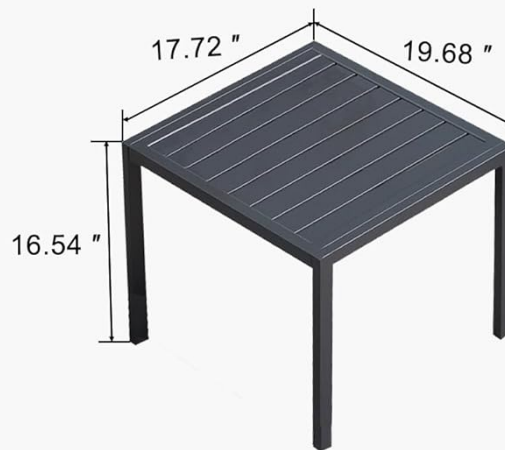
4.3 Using the Side Table

The included side table can be placed between the two chaise lounges or wherever convenient to hold personal items.

DIMENSION

Table X 1

All Aluminm Frame



CHAIRS X 2

Powder-coated Aluminum
& Textilene Fabric

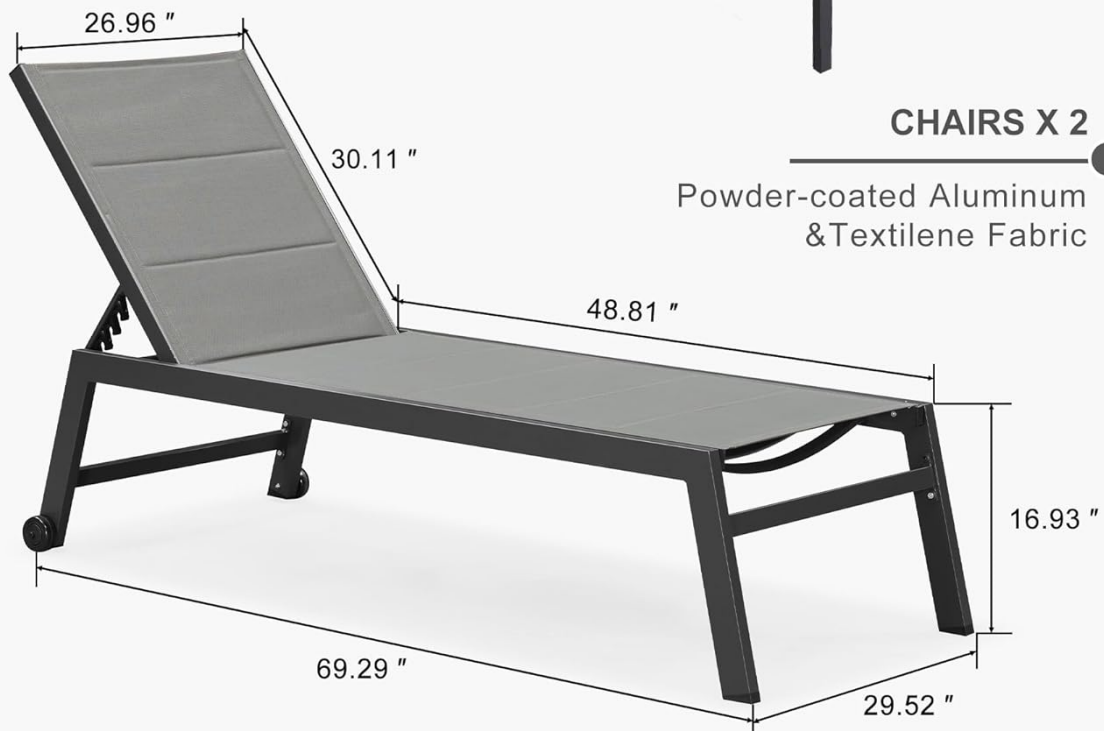


Image 6: The side table positioned between two chaise lounges, holding beverages.

5. MAINTENANCE

Proper care will extend the life and appearance of your chaise lounge set.

- **Cleaning:** Wipe clean with a damp cloth and mild soap. Avoid harsh chemicals or abrasive cleaners.
- **Drying:** The Textilene fabric is quick-drying. Ensure the chairs are dry before storing or covering to prevent mildew.
- **UV Protection:** The fabric is UV-resistant, but prolonged exposure to direct sunlight can cause fading over time. Consider using covers or storing in shaded areas when not in use.
- **Rust Prevention:** The aluminum frame is rust-resistant. Periodically inspect for any signs of wear or damage and address promptly.

6. TROUBLESHOOTING

If you encounter any issues with your chaise lounge set, please refer to the following common solutions:

- **Instability:** Check all bolts and screws to ensure they are securely tightened. Ensure the chair is on a flat, even surface.
- **Difficulty Adjusting Backrest:** Ensure no debris is obstructing the adjustment mechanism. Apply gentle pressure while adjusting.
- **Squeaking:** Apply a silicone-based lubricant to moving parts if squeaking occurs.

For further assistance, please contact customer support.

7. PRODUCT SPECIFICATIONS

Feature	Detail
Brand	PURPLE LEAF
Model Name	ZY04-CLS03-ATPLUS-GY
Color	Grey
Material	Aluminum Frame, Textilene Fabric, Sponge Filling
Product Dimensions (D x W x H)	69.29" x 29.52" x 16.93"
Item Weight	52.36 Pounds
Maximum Weight Recommendation	320 Pounds
Reclining Positions	5
Included Components	2 Chaise Lounges, 1 Side Table
Features	Wheels for mobility, UV-resistant, Water-repellent, Quick-drying, Foldable
Required Assembly	Yes

8. WARRANTY AND SUPPORT

For information regarding product warranty, please refer to the documentation included with your purchase or contact PURPLE LEAF customer support.

- **Returns:** This product is eligible for 30-day easy returns.
- **Customer Support:** For any questions, concerns, or assistance, please contact PURPLE LEAF customer support.

