

[Manuals.plus](#) /

› [K&F CONCEPT](#) /

› K&F CONCEPT Gimbal Tripod Head KF31.052 User Manual

## K&F CONCEPT KF31.052

# K&F CONCEPT Gimbal Tripod Head KF31.052 User Manual

Model: KF31.052 | Brand: K&F CONCEPT

## 1. INTRODUCTION

---

Thank you for choosing the K&F CONCEPT Gimbal Tripod Head KF31.052. This manual provides detailed instructions for the proper setup, operation, and maintenance of your new gimbal head. Designed for stability and precise control, this all-CNC aluminum alloy gimbal head supports heavy camera and lens combinations, making it ideal for wildlife, sports, and panoramic photography.



*Image: The K&F CONCEPT Gimbal Tripod Head KF31.052, showcasing its robust aluminum alloy construction.*

## 2. PRODUCT OVERVIEW

The KF31.052 Gimbal Tripod Head is engineered for smooth and stable camera movements, especially with long telephoto lenses. It features an all-CNC aluminum alloy construction for durability and a maximum load capacity of 20kg (44.09 lbs).

# More Stable

Load capacity up to 20kg / 44.09 lbs



*Image: The gimbal head demonstrating its stability and high load capacity of up to 20kg (44.09 lbs) with a camera and telephoto lens.*

## 2.1 Key Features

- **All-CNC Aluminum Alloy Construction:** Ensures durability and stability.
- **High Load Capacity:** Supports up to 20kg (44.09 lbs) for heavy camera and lens setups.
- **Precise Adjustments:** Offers smooth horizontal and vertical adjustments.
- **360° Panoramic Base:** Allows for full panoramic rotation.
- **Arca-Swiss Standard Interface:** Compatible with most quick release plates.
- **Exclusive Lubricant:** For smooth and consistent operation.

## 2.2 Components and Functions

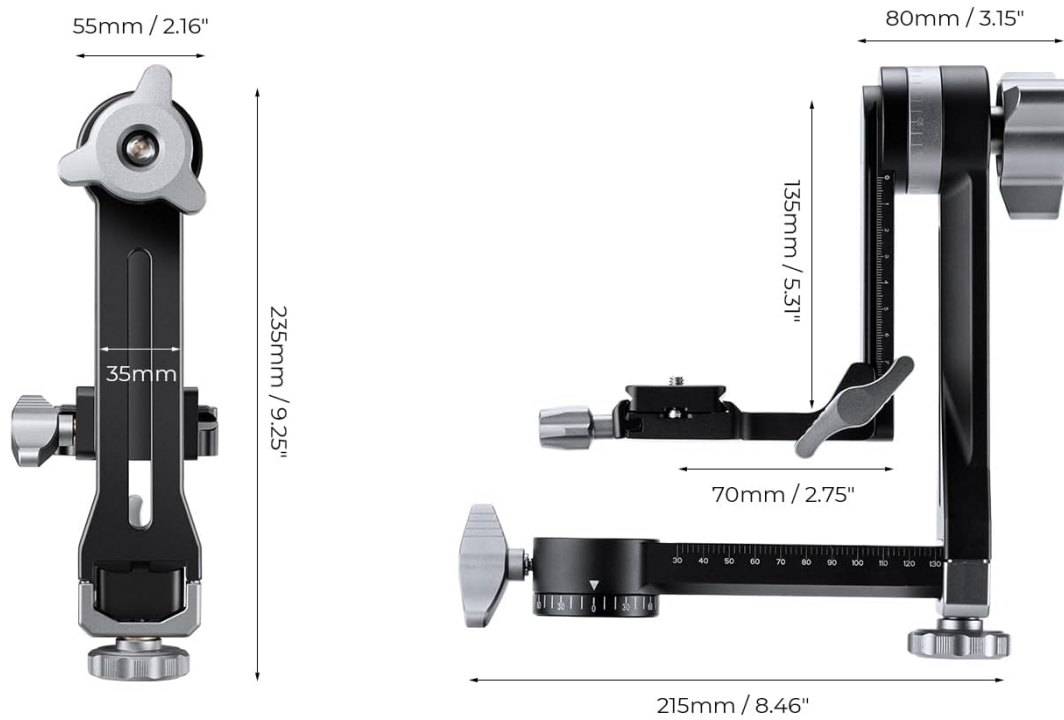
# Parts Function Display



Image: Detailed view of the gimbal head with labeled components and their functions.

1. **Damping Main Knob:** Controls the friction and smoothness of the vertical tilt movement.
2. **Lift Locking Knob:** Secures the vertical arm in position.
3. **1/4 inch Interface:** Standard screw for attaching the quick release plate to your camera/lens.
4. **Quick Release Plate Locking Knob:** Secures the quick release plate (and attached camera/lens) to the gimbal head.
5. **360 Panoramic Locking Knob:** Locks the horizontal rotation of the base.
6. **Level Locking Knob:** Secures the horizontal arm's position.
7. **3/8 inch Screw Hole for Base:** Used to mount the gimbal head onto a tripod.

# Product Size Display



Tripod convert adapter  
**3/8" to 1/4"**

Image: Diagram illustrating the key dimensions of the gimbal head in millimeters and inches.

## 3. SETUP INSTRUCTIONS

### 3.1 Attaching to a Tripod

- Ensure your tripod is stable and capable of supporting the combined weight of the gimbal head, camera, and lens.
- Locate the 3/8 inch screw hole on the base of the gimbal head.
- Screw the gimbal head onto the 3/8 inch screw of your tripod. If your tripod has a 1/4 inch screw, use the provided 3/8" to 1/4" tripod convert adapter.
- Tighten securely to prevent any wobbling.



*Image: Illustration of the standard 3/8" screw connection for mounting the gimbal head to a tripod, with an adapter for 1/4" screws.*

### 3.2 Mounting Camera and Lens

- Attach your camera or lens (if it has a tripod collar) to the quick release plate using the 1/4 inch screw. Ensure it is firmly tightened.
- Loosen the Quick Release Plate Locking Knob on the gimbal head.
- Slide the quick release plate with your camera/lens into the Arca-Swiss compatible clamp on the gimbal head.
- Once positioned, tighten the Quick Release Plate Locking Knob to secure your equipment.



*Image: Close-up of the Arca-Swiss standard interface, compatible with various quick release plates for secure camera mounting.*

### 3.3 Balancing Your Equipment

Proper balancing is crucial for smooth operation and to prevent strain on the gimbal head. The goal is for your camera and lens to remain stationary at any angle when the locking knobs are loosened.

- **Horizontal Balance (Front-to-Back):** Loosen the Quick Release Plate Locking Knob. Slide your camera/lens forward or backward on the quick release plate until it balances. Tighten the knob.
- **Vertical Balance (Up-and-Down):** Loosen the Lift Locking Knob. Adjust the vertical arm up or down until the camera/lens balances vertically. Tighten the knob.
- **Side-to-Side Balance:** Loosen the Level Locking Knob. Adjust the horizontal arm left or right until the camera/lens balances. Tighten the knob.



*Image: A camera with a large telephoto lens mounted and balanced on the gimbal head, demonstrating stability and proper setup.*

## 4. OPERATING INSTRUCTIONS

### 4.1 Adjusting Movement and Damping

- **Vertical Tilt:** Loosen the Damping Main Knob to allow vertical movement. Adjust the knob to control the friction for smoother or firmer tilts.
- **Horizontal Pan:** Loosen the 360 Panoramic Locking Knob to allow horizontal rotation. This enables smooth panning for tracking moving subjects.



*Image: Close-up of the larger metal knobs designed for easier and more precise adjustments of the gimbal head.*

## 4.2 Precise Positioning

- **Pitch Angle Shooting:** The gimbal head allows for a wide range of pitch angles, up to 180 degrees, for versatile shooting perspectives.
- **360° Panorama Shooting:** Utilize the panoramic base for seamless 360-degree rotations, ideal for capturing expansive landscapes.
- **Horizontal Axis Adjustment:** The new modular design offers 100mm of horizontal axis adjustment for fine-tuning your setup.
- **Vertical Precision Adjustment:** Achieve precise vertical positioning with 70mm of up and down adjustment.



Image: Visual representation of the gimbal head's capabilities for pitch angle and 360-degree panoramic shooting.



Image: The gimbal head demonstrating its 100mm horizontal axis adjustment capability for fine-tuning camera position.

## Vertical 70mm up and down precision adjustment

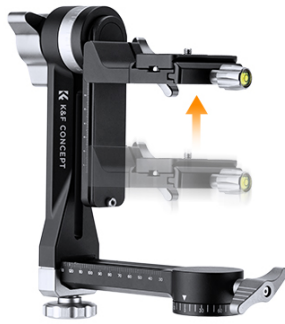


Image: The gimbal head illustrating its 70mm vertical precision adjustment for optimal camera height.

## 5. MAINTENANCE

- **Cleaning:** Wipe the gimbal head with a soft, dry cloth after each use to remove dust and debris. For stubborn dirt, use a slightly damp cloth and then dry thoroughly.
- **Lubrication:** The gimbal head comes with exclusive lubricant for smooth operation. Avoid applying additional lubricants unless specifically recommended by K&F CONCEPT, as this may affect performance or damage the finish.
- **Storage:** Store the gimbal head in a dry, clean environment, away from extreme temperatures and humidity.
- **Inspection:** Periodically check all screws and knobs to ensure they are securely tightened. Do not overtighten.

## 6. TROUBLESHOOTING

Problem	Possible Cause	Solution
Gimbal head feels stiff or difficult to move.	Locking knobs are too tight; lack of proper balancing; dust/debris in moving parts.	Ensure all relevant locking knobs (Damping Main Knob, 360 Panoramic Locking Knob) are sufficiently loosened. Re-balance your camera and lens setup. Clean moving parts carefully.
Camera/lens does not stay in position when knobs are loosened.	Improper balancing; insufficient damping.	Re-balance your camera and lens carefully following the instructions in Section 3.3. Adjust the Damping Main Knob to increase friction if needed.
Quick release plate is loose or wobbles.	Quick Release Plate Locking Knob not fully tightened; camera/lens not securely attached to the plate.	Ensure the Quick Release Plate Locking Knob is fully tightened. Verify that your camera/lens is firmly screwed onto the quick release plate.
Knobs feel stripped or do not tighten properly.	Excessive force applied during tightening; manufacturing defect.	Avoid overtightening knobs. If a knob is stripped, contact K&F CONCEPT customer support for assistance or replacement parts.

## 7. SPECIFICATIONS

Feature	Detail
Model Number	KF31.052
Brand	K&F CONCEPT
Material	All-CNC Aluminum Alloy
Maximum Load Capacity	20 kg (44.09 lbs)
Item Weight	1.27 kg (2.8 lbs)
Product Dimensions (L x W x H)	5 cm x 4 cm x 3 cm (1.97"D x 1.57"W x 1.18"H)
Folded Size	23.5 cm (9.25 inches)
Compatible Devices	Camera
Tripod Mounting Screw	3/8 inch (with 1/4 inch adapter included)
Quick Release Plate Standard	Arca-Swiss Standard

## 8. WARRANTY AND SUPPORT

K&F CONCEPT products are manufactured to high-quality standards. For warranty information, product support, or to inquire about replacement parts, please visit the official K&F CONCEPT website or contact their customer service directly. Keep your purchase receipt as proof of purchase.

For further assistance, you may visit the [K&F CONCEPT Store on Amazon](#).