



[Manuals.plus](#) /

- › [FORGING MOUNT](#) /
- › FORGING MOUNT Corner TV Wall Mount Instruction Manual

FORGING MOUNT HY9441

FORGING MOUNT Corner TV Wall Mount Instruction Manual

Model: HY9441

Brand: FORGING MOUNT

1. INTRODUCTION

This instruction manual provides detailed guidance for the safe and proper installation, operation, and maintenance of your FORGING MOUNT Corner TV Wall Mount, Model HY9441. This full-motion TV mount is designed to fit TVs and monitors ranging from 13 to 43 inches, supporting a maximum weight of 77 lbs (35 kg) and VESA patterns up to 200x200mm. Its long 25.6-inch extension arm allows for versatile viewing angles, including corner installations.



Figure 1: FORGING MOUNT Corner TV Wall Mount (Model HY9441)

2. SAFETY INFORMATION

Please read and understand all instructions before installation and use. If you have any questions, contact customer service. Improper installation or use may result in property damage, serious injury, or death.

- **Weight Capacity:** Do not exceed the maximum weight capacity of 77 lbs (35 kg). This mount is intended for use only with the maximum weights indicated. Use with products heavier than the maximum weights indicated may result in instability causing possible injury.
- **Wall Type:** This mount is designed for installation on solid concrete walls, brick walls, and solid wood stud walls (12"/16" wood studs). **DO NOT mount the product on plaster walls, cavity walls, drywall, or soft walls alone.** Always ensure the mounting surface can safely support the combined weight of the equipment and all attached hardware.
- **VESA Compatibility:** Ensure your TV's VESA mounting pattern (the distance between the four mounting holes on the back of the TV) is compatible with the mount (75x75mm, 100x100mm, 100x200mm, 200x100mm, 200x200mm).
- **Professional Assistance:** If you are unsure about the installation process or the suitability of your wall, consult a qualified professional.
- **Children:** Keep children away from the installation area during setup.
- **Tools:** Use appropriate tools and follow all safety precautions for tool usage.

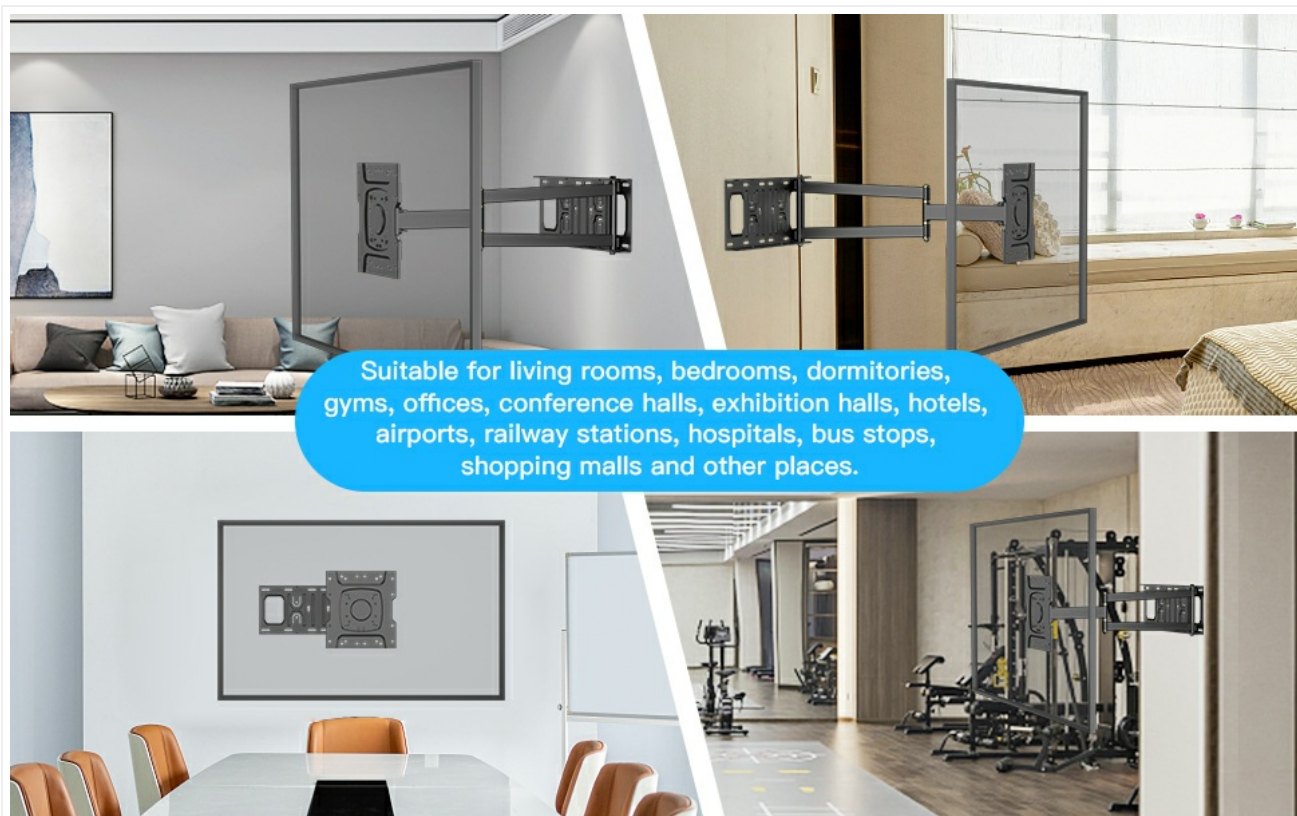


Figure 2: Compatible Wall Types for Installation

3. PACKAGE CONTENTS

Verify that all components are present and undamaged before beginning installation. If any parts are missing or damaged, do not attempt to install. Contact customer service for assistance.

- Wall Plate Assembly with Articulating Arms
- TV Plate (VESA compatible)
- Mounting Hardware Kit (various screws, washers, spacers for TV and wall)
- Concrete Anchors (if applicable)
- Level Gauge
- Cable Ties
- Instruction Manual

4. PRODUCT FEATURES

- **Long Extension Arm:** Equipped with a 25.6-inch long extension arm, allowing the TV to be pulled out from the wall for versatile viewing angles, including corner installations.
- **Full Motion Capability:** Offers swivel of $\pm 90^\circ$, tilt of $+5^\circ$ to -10° , and level adjustment of $\pm 3^\circ$ for optimal viewing comfort.
- **Heavy Duty Construction:** Made with high-quality thickened alloy steel for stability and durability, supporting TVs up to 77 lbs.
- **VESA Compatibility:** Supports VESA patterns 75x75mm, 100x100mm, 100x200mm, 200x100mm, and 200x200mm.
- **Space Saving Design:** Can be retracted to a minimum distance of 2.48 inches from the wall, allowing the TV to sit close to the wall when not extended.

Reliable Strong TV Wall Mount

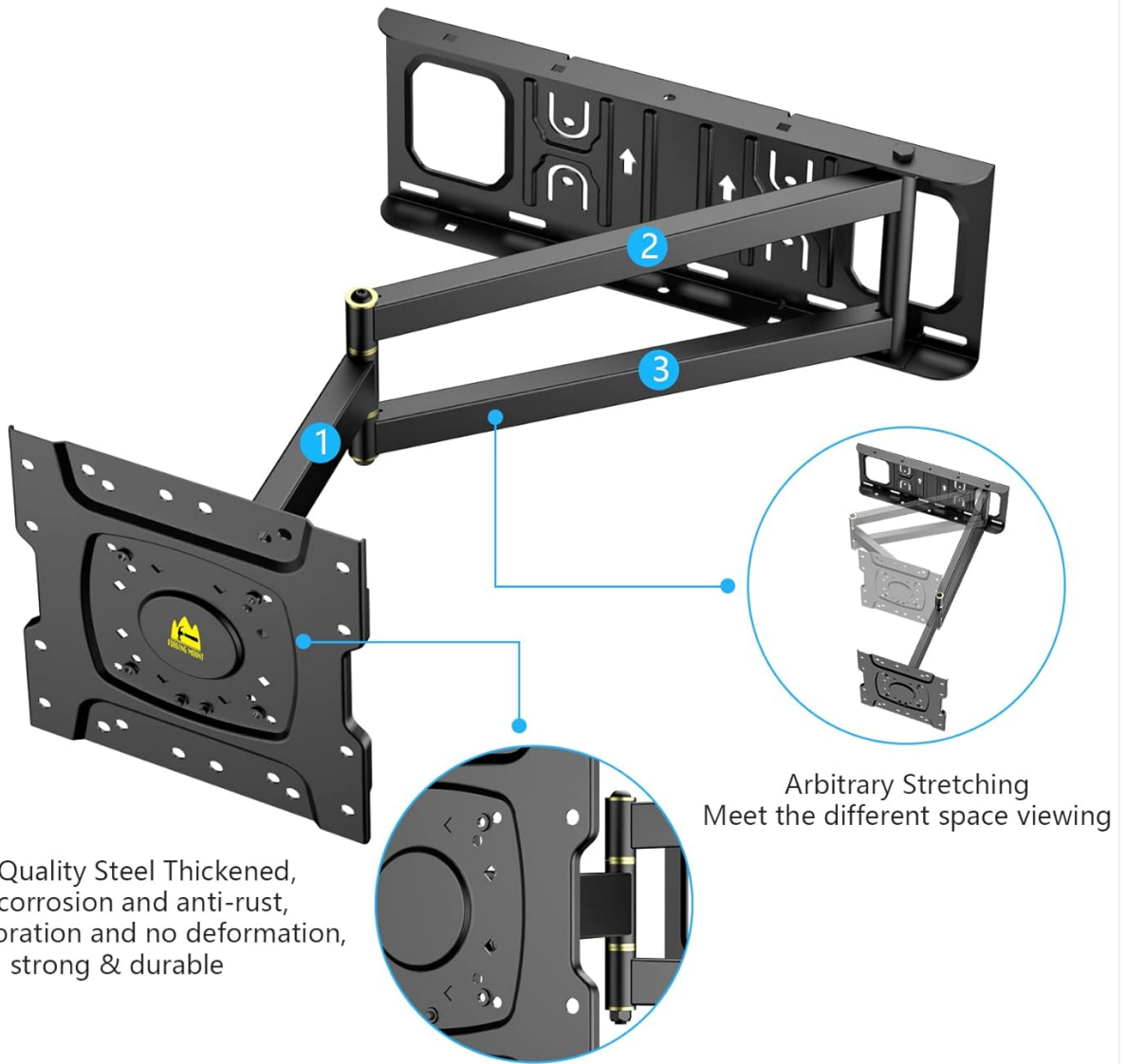


Figure 3: Robust Construction of the Mount

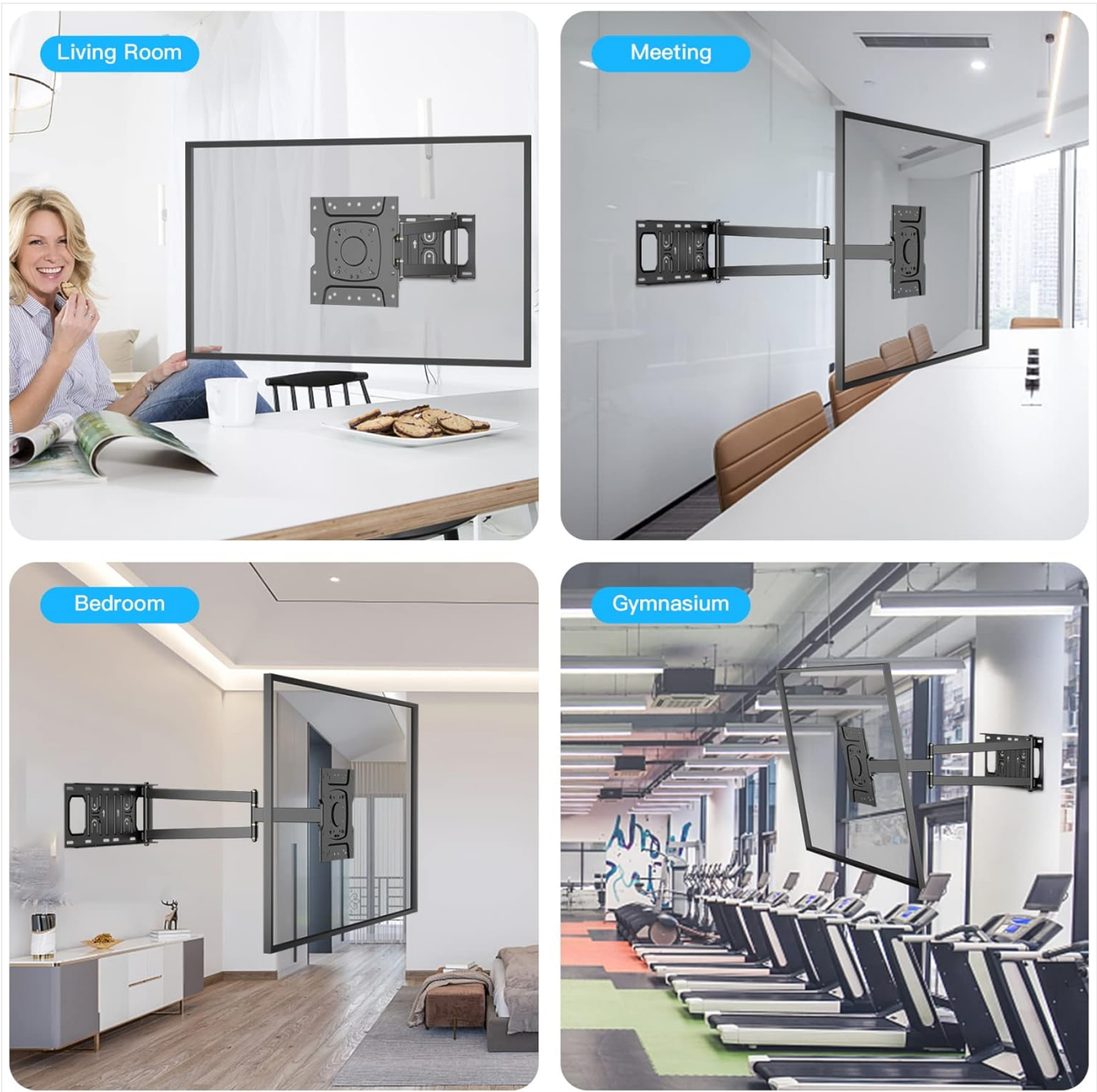


Figure 4: Versatile Application in Different Environments

5. SETUP (INSTALLATION GUIDE)

5.1 Pre-Installation Checklist

- Ensure you have all necessary tools: drill, stud finder (for wood studs), level, tape measure, pencil, screwdriver, socket wrench.
- Confirm your TV's weight and VESA pattern are within the mount's specifications.
- Identify the type of wall you are mounting to (wood stud, concrete, or brick).
- Locate the center of your desired mounting position and mark it.

5.2 Installation Steps

1. **Attach TV Brackets to TV:** Carefully place your TV face down on a soft, clean surface. Attach the two vertical TV brackets to the back of your TV using the appropriate screws, washers, and spacers from the hardware kit. Ensure the brackets are centered and securely fastened to the TV's VESA holes.
2. **Mount Wall Plate:** Position the wall plate assembly on the wall at your desired height. Use a level to ensure it

is perfectly horizontal. Mark the drilling locations through the holes on the wall plate. For wood studs, drill pilot holes into the center of the studs. For concrete/brick walls, drill holes and insert concrete anchors. Secure the wall plate to the wall using the provided lag bolts.

3. **Adjust Level (if needed):** Before hanging the TV, ensure the wall plate is level. If minor adjustments are needed, some mounts allow for slight leveling adjustments on the wall plate itself.
4. **Hang TV on Wall Plate:** With assistance, carefully lift the TV with the attached brackets and hook them onto the arms of the wall plate assembly. Ensure the TV is securely seated.
5. **Secure TV to Mount:** Tighten the security screws on the TV brackets to lock the TV onto the mount, preventing accidental dislodgement.



Figure 5: Overview of 4 Installation Steps

6. OPERATING (ADJUSTMENTS)

Your FORGING MOUNT TV wall mount offers full motion capabilities for optimal viewing. Adjustments should be made carefully to avoid damage to the TV or mount.

- **Swivel:** The mount allows for $\pm 90^\circ$ swivel. Gently push or pull the TV to the desired left or right angle. This is particularly useful for corner installations or viewing from different areas of a room.
- **Tilt:** Adjust the vertical tilt from $+5^\circ$ (upward) to -10° (downward) to reduce glare or achieve a better viewing angle. Loosen the tilt adjustment screws on the TV plate, adjust the angle, and then re-tighten the screws securely.
- **Level:** If your TV appears slightly unlevel after installation, you can adjust the level by $\pm 3^\circ$. Loosen the leveling screws, rotate the TV slightly, and then re-tighten.
- **Extension/Retraction:** The articulating arms allow the TV to extend up to 25.6 inches from the wall and retract to a minimum of 2.48 inches. Gently pull or push the TV to extend or retract the arms.

Full Motion TV/Monitor Wall Mount

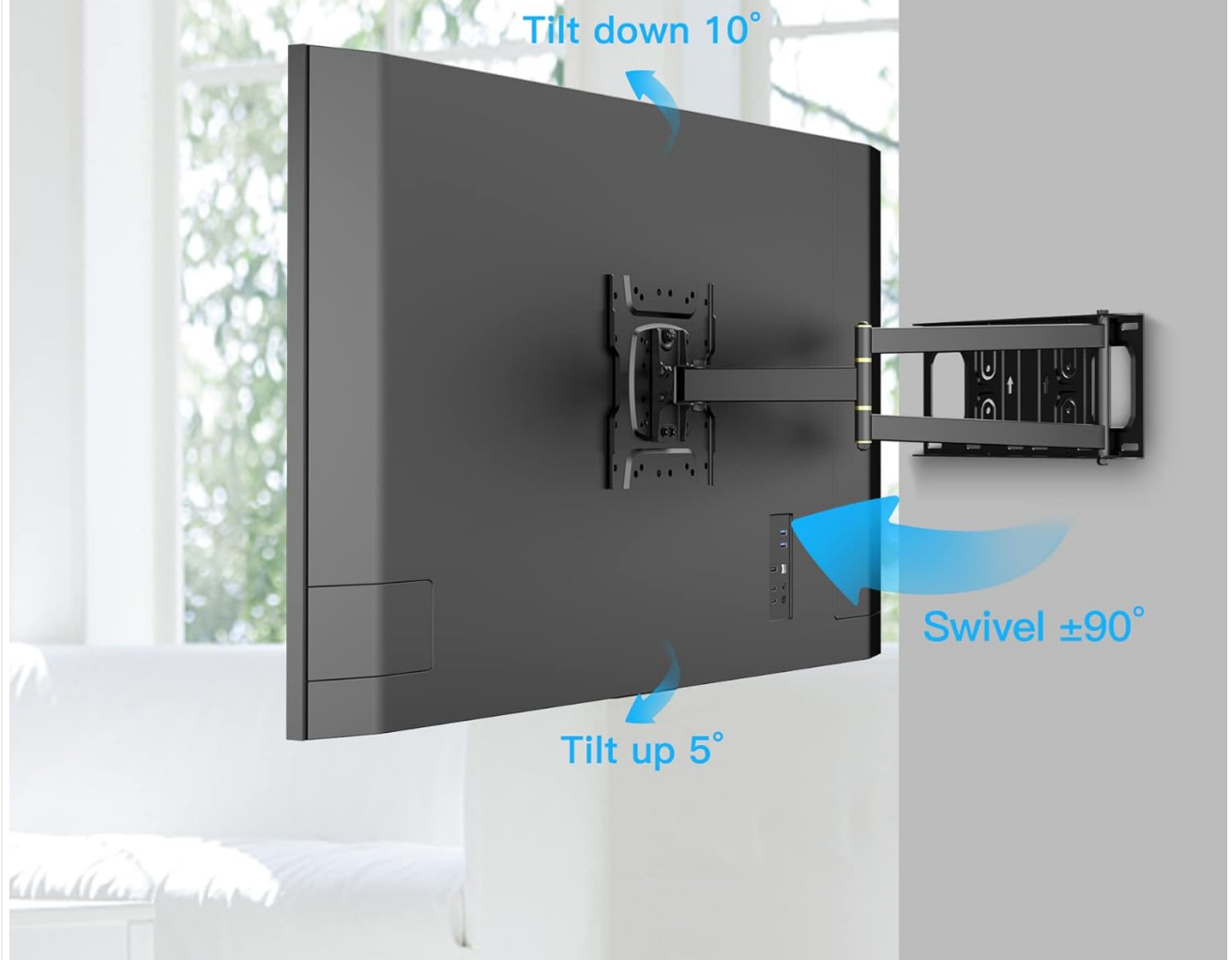


Figure 6: Swivel and Tilt Capabilities

Your browser does not support the video tag.

Video 1: Demonstration of Corner TV Wall Mount Movement (Swivel, Tilt, Extension, Leveling)

7. MAINTENANCE

Regular maintenance ensures the longevity and safe operation of your TV mount.

- **Cleaning:** Dust the mount regularly with a soft, dry cloth. For stubborn dirt, use a slightly damp cloth and mild detergent, then wipe dry. Avoid abrasive cleaners or solvents.
- **Check Connections:** Periodically check all screws and bolts to ensure they remain tight and secure. Retighten if necessary.
- **Inspect for Damage:** Inspect the mount for any signs of wear, corrosion, or damage. If any damage is observed, discontinue use and contact customer service.

8. TROUBLESHOOTING

Refer to the table below for common issues and their solutions.

Problem	Possible Cause	Solution
TV is not level.	Wall plate not perfectly level during installation, or leveling screws need adjustment.	Loosen the leveling screws on the TV plate, adjust the TV to be level using a spirit level, then re-tighten the screws.
Mount feels unstable.	Mounting bolts not fully tightened, incorrect wall anchors used, or wall type is unsuitable.	Ensure all wall bolts are securely tightened. Verify that the correct anchors were used for your wall type. If unsure, consult a professional. Do not use if unstable.
Difficulty adjusting tilt/swivel.	Adjustment screws are too tight, or joints need lubrication.	For tilt, loosen the tilt adjustment screws slightly, adjust, then re-tighten. For swivel, ensure no cables are snagged. Joints are pre-lubricated; if stiffness persists, contact support.
TV is too heavy for the mount.	TV weight exceeds the mount's maximum capacity.	Immediately remove the TV from the mount. This mount supports up to 77 lbs (35 kg). Do not use if your TV is heavier.

9. SPECIFICATIONS

Model Number:	HY9441
Compatible TV Sizes:	13 - 43 inches
Maximum Load Capacity:	77 lbs (35 kg)
VESA Compatibility:	75x75mm, 100x100mm, 100x200mm, 200x100mm, 200x200mm
Tilt Angle:	+5° to -10°
Swivel Angle:	±90°
Level Adjustment:	±3°
Wall Distance (Retracted):	2.48 inches (63mm)
Wall Distance (Extended):	25.6 inches (650mm)
Material:	Alloy Steel
Product Dimensions:	16 x 2.75 x 25.6 inches
Item Weight:	5 pounds

Types of walls



solid concrete walls



brick walls



solid wood stud walls

DO NOT mount the product on plaster walls, cavity walls, drywall or soft walls

Easy to Install 30 Mins



Figure 7: TV Compatibility and Load Capacity

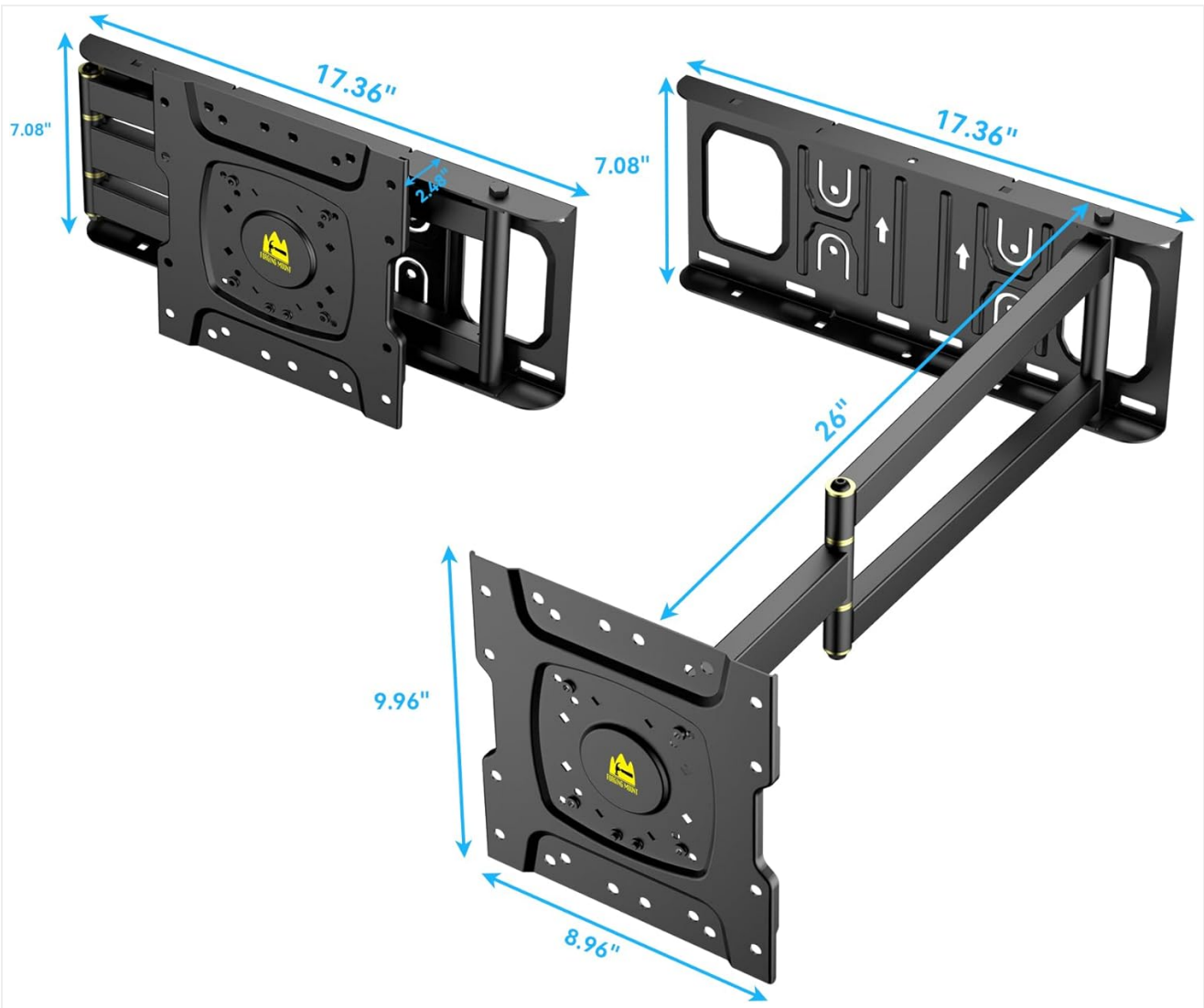


Figure 8: Mount Dimensions

10. WARRANTY AND SUPPORT

FORGING MOUNT is committed to providing high-quality products and excellent customer service. For any questions, concerns, or assistance with your product, please contact our customer support team.

- **Customer Service:** Refer to the contact information provided with your product packaging or visit the official FORGING MOUNT website for support.
- **Warranty:** Information regarding product warranty can be found on the FORGING MOUNT website or by contacting customer service directly. Please retain your proof of purchase for warranty claims.