

[Manuals.plus](#) /

> [vidaXL](#) /

> vidaXL 5-Panel Room Divider User Manual

vidaXL 350269

vidaXL 5-Panel Room Divider User Manual

Model: 350269

INTRODUCTION

This manual provides essential information for the assembly, operation, and maintenance of your vidaXL 5-Panel Room Divider. Designed to offer privacy and divide spaces, this modern privacy screen is suitable for various indoor settings such as bedrooms, offices, and living rooms. Please read these instructions carefully before assembly and use to ensure proper function and longevity of your product.



Image: The vidaXL 5-Panel Room Divider fully extended, showcasing its black fabric panels and metal frame.

SAFETY INFORMATION

- Ensure all components are securely fastened during assembly to prevent instability.
- Place the room divider on a flat, stable surface to avoid tipping.
- Do not hang heavy objects on the divider, as this may compromise its stability.
- Keep children and pets away from the divider during assembly.
- Avoid placing the divider near open flames or heat sources.
- This product is designed for indoor use only.

PACKAGE CONTENTS

Before beginning assembly, verify that all parts are present and undamaged. The package should contain the following:

- Fabric panels (5 pieces)
- Metal frame poles (vertical and horizontal sections)
- Base feet (curved supports)
- Connectors and fasteners (screws, caps, etc.)
- Assembly manual

If any parts are missing or damaged, please contact vidaXL customer support before proceeding with assembly.

SETUP AND ASSEMBLY

Assembly of the vidaXL 5-Panel Room Divider requires careful attention to detail. Follow the steps below, referring to the included assembly manual for detailed diagrams.

1. **Unpack Components:** Carefully remove all parts from the packaging and lay them out on a clean, soft surface to prevent scratches.
2. **Assemble Frame Sections:** Connect the vertical and horizontal metal frame poles according to the assembly manual. Ensure all connections are secure.
3. **Attach Base Feet:** Secure the curved base feet to the bottom of the vertical frame poles using the provided fasteners. These feet provide stability to the divider.



Image: A close-up view of the curved base foot attached to the vertical frame pole, illustrating the connection point.

4. **Install Fabric Panels:** Slide or attach the fabric panels onto the assembled frame sections. Ensure the fabric is taut and evenly distributed.
5. **Connect Panels:** Join the individual assembled panels together using the designated connectors to form the complete 5-panel divider.
6. **Final Check:** Once assembled, gently test the stability of the divider. Ensure all screws are tightened and the structure is firm.

Note: Some users have reported that screws may be difficult to tighten. Apply steady pressure and ensure proper alignment to avoid stripping screw heads.

OPERATING INSTRUCTIONS

The vidaXL 5-Panel Room Divider is designed for flexible use and easy repositioning.

- **Positioning:** Place the divider in your desired location. The flexible panel connections allow for various configurations, from a straight line to a zig-zag pattern, to best suit your space and privacy needs.



Image: The room divider positioned in a bedroom, demonstrating its use for creating a private area.

- **Folding for Storage:** To store the divider, simply fold the panels along their connecting hinges. The compact folded design minimizes space requirements.

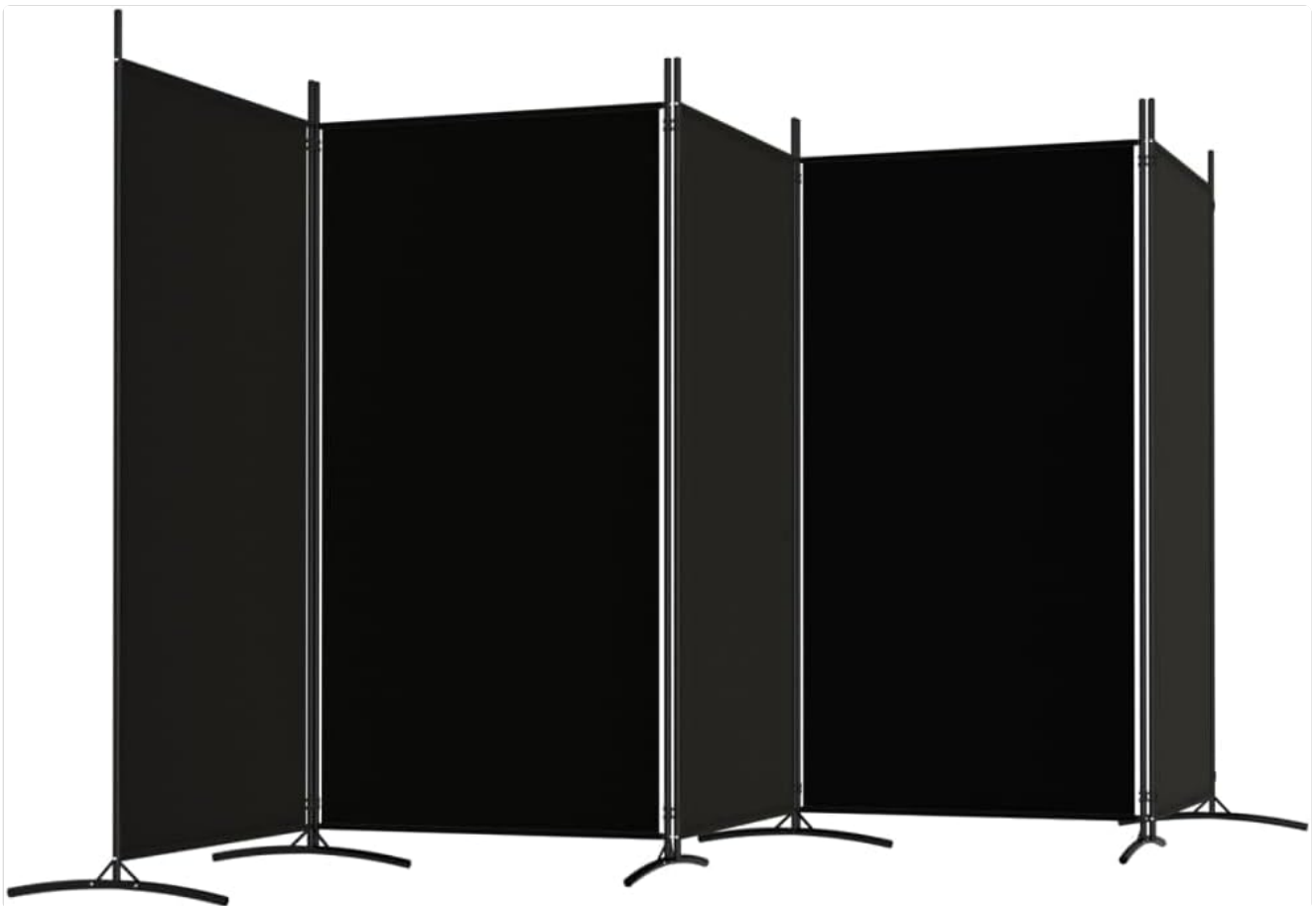


Image: The room divider folded into a compact form, ready for storage.

- **Light Filtration:** Note that the fabric panels allow some light to filter through, providing a semi-private space without completely blocking natural light.

MAINTENANCE AND CARE

Proper care will extend the life and appearance of your room divider.

- **Cleaning Fabric Panels:** For light dust, use a soft brush or vacuum cleaner with a brush attachment. For spills or stains, gently spot clean with a damp cloth and mild soap. Avoid harsh chemicals or abrasive cleaners. Allow to air dry completely.
- **Cleaning Metal Frame:** Wipe the metal frame with a soft, damp cloth. Dry immediately to prevent rust.
- **Regular Checks:** Periodically check all screws and connections to ensure they remain tight. Retighten if necessary.
- **Storage:** When not in use, store the folded divider in a dry place away from direct sunlight and extreme temperatures.

TROUBLESHOOTING

Problem	Possible Cause	Solution
Divider is wobbly or unstable.	Loose connections or uneven placement.	Ensure all screws are fully tightened. Place the divider on a flat, level surface. Adjust the position of the base feet for better balance.
Difficulty during assembly (e.g., screws not tightening).	Misalignment of parts or manufacturing variation.	Double-check part alignment before tightening. Apply firm, steady pressure when screwing. If issues persist, contact customer support for assistance.

Problem	Possible Cause	Solution
Fabric panels appear loose or saggy.	Improper installation of fabric onto the frame.	Re-check the fabric panel installation steps in the assembly manual to ensure they are correctly attached and taut.

SPECIFICATIONS

Feature	Detail
Brand	vidaXL
Model Number	350269
Colour	Black
Material	Fabric (100% polyester), Iron
Overall Size (W x H)	433 x 180 cm (170.5 x 70.9 inches)
Each Panel Size (W x H)	83 x 161 cm
Number of Panels	5
Item Weight	5.44 kg (11.99 lbs)
Special Features	Foldable

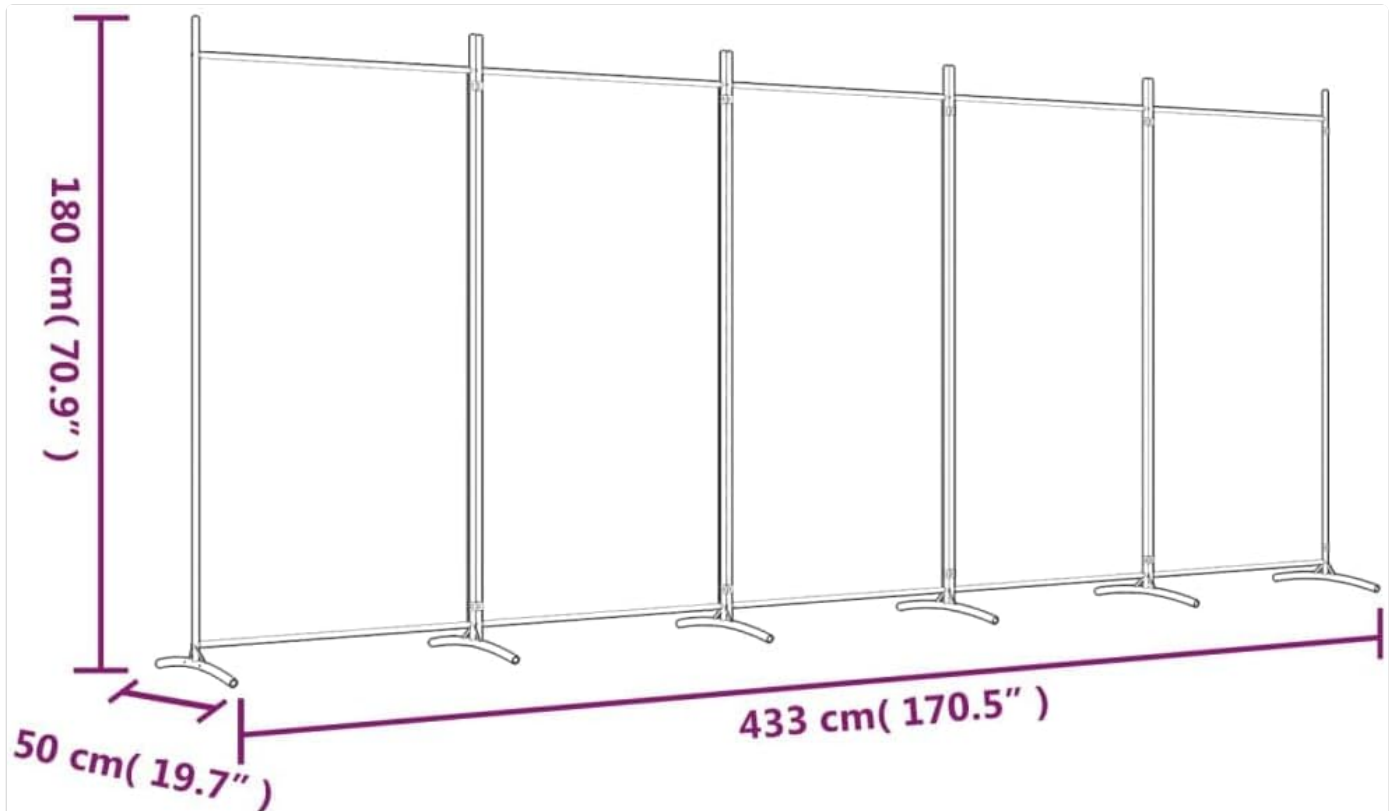


Image: Technical diagram illustrating the overall width (433 cm) and height (180 cm) of the room divider, along with the depth of the feet (50 cm).

WARRANTY AND SUPPORT

For warranty information, please refer to the documentation included with your product or visit the official vidaXL website. Warranty terms and conditions may vary by region and purchase date.

If you encounter any issues or require assistance with your vidaXL 5-Panel Room Divider, please contact vidaXL customer support. You can typically find contact details on the manufacturer's website or through your point of purchase. For general inquiries, you may also visit the [vidaXL Store on Amazon](#).