

## GEBADOL Manual Recliner Sofa+Loveseat+Chair

# GEBADOL Manual Recliner Sofa, Loveseat, and Chair Set Instruction Manual

## INTRODUCTION

---

Welcome to your new GEBADOL Manual Recliner Sofa, Loveseat, and Chair Set. This manual provides detailed instructions for assembly, operation, and maintenance to ensure optimal use and longevity of your furniture. Please read this manual thoroughly before assembly and use.

## SAFETY INFORMATION

---

All foam and upholstered surfaces meet flammability standards. Keep away from open flames or high heat sources. Supervise children and pets to avoid entrapment risks within the reclining mechanisms. Ensure sufficient clearance around the furniture when reclining.

## PACKAGE CONTENTS

---

Your GEBADOL Manual Recliner Sofa, Loveseat, and Chair Set includes the following components. Please verify all parts are present before beginning assembly.

- Recliner Sofa sections (base, backrests, armrests)
- Recliner Loveseat sections (base, backrests, armrests, console)
- Recliner Chair sections (base, backrest, armrests)
- Assembly hardware (bolts, washers, etc.)
- Instruction sheet
- Non-woven protective cloth

## ASSEMBLY INSTRUCTIONS

---

This section guides you through the assembly process for your GEBADOL recliner set. It is recommended to have two people for assembly. All parts are located in the zipper compartment under the sofa base.

## Assembly Video Guide

Your browser does not support the video tag.

This video demonstrates the assembly process for the recliner sofa, loveseat, and chair. Please refer to the video for visual guidance on each step.

### General Assembly Steps (Refer to video for detailed visuals)

1. **Unpacking:** Carefully turn the product box upside down. **Attention:** Do not open the box with a knife to prevent damage to the upholstery. Remove all components and accessories from the packaging.
2. **Preparation:** Spread the non-woven protective cloth on the floor to prevent soiling or scratching the furniture during assembly. Place all accessories and components on this cloth.
3. **Install Backrests:** For each seating unit (chair, sofa, loveseat), align the metal brackets on the backrest with the corresponding slots on the base. Slide the backrest down firmly until it locks into place.
4. **Install Armrests (Ears):** Attach the side armrests (referred to as 'ears' in the video) to the main body of each seating unit. Ensure they are securely fastened.
5. **Final Check:** Once all components are assembled, gently push and pull on each part to ensure it is securely attached and stable.



The complete GEBADOL Manual Recliner Sofa, Loveseat, and Chair Set in creamy white, ready for use.

## OPERATING YOUR RECLINER SET

### Reclining Function

To recline, locate the manual lever on the side of the seating unit. Pull the lever to release the footrest and lean back to your desired reclining angle (between 105° and 160°). To return to the upright position, gently push the footrest down with your legs until it locks into place.

### Storage Console and Cup Holders (Loveseat)

The loveseat features a central storage console and two cup holders. Lift the console lid to access the storage compartment. The cup holders are integrated into the console for convenience.



An image highlighting key features: the storage console with cup holders, the stable leg and backrest mechanism when reclined, and the comfortable seating area of the recliner.

## CARE AND MAINTENANCE

The bonded leather surface is designed for easy cleaning. For general cleaning, wipe with a soft, damp

cloth. For spills or stains, spot clean only. Avoid using harsh chemicals or abrasive cleaners, as these may damage the material. Regularly check all connections and hardware to ensure they remain tight and secure.

## TROUBLESHOOTING

---

### Reclining Mechanism Issues

If the reclining mechanism feels stiff or does not operate smoothly, check for any obstructions around the moving parts beneath the seat and footrest. Ensure the furniture is placed on a level surface.

### Loose Connections

If any part of the furniture feels unstable or wobbly, inspect all assembly points and tighten any loose bolts or fasteners. Do not overtighten.

## PRODUCT SPECIFICATIONS

---

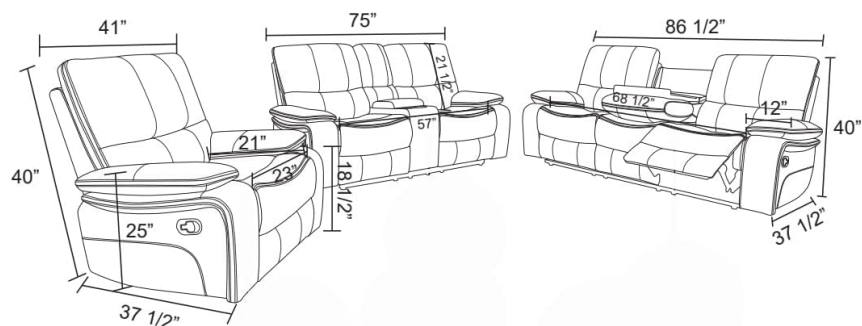
Property	Value
Brand	GEBADOL
Assembly Required	Yes
Seat Depth	21 inches
Seat Height	40 Inches
Weight Limit (per seat)	300 Pounds
Seating Capacity	6
Item Weight (full set)	550 Pounds
Type	Sectional
Color	Creamy White-manual Recliner
Style	Modern
Room Type	Bedroom, Living Room, Office
Indoor Outdoor Usage	Indoor
Upholstery Fabric Type	Faux Leather
Frame Material Type	Wood
Product Care Instructions	Spot Clean Only
Furniture Leg Material	Rubberwood
Seat Back Fill Material	Foam
Fill Material	Polyurethane Foam
Cushion Construction	Polyurethane Foam

Warranty Type	Limited
Includes All Assembly Tools	Yes
Minimum Required Door Width	90 Inches
Item Firmness Description	Medium
Reclining Seat Count	3
Reclining Position Count	2



### Overall Dimension :

Sofa: 87X38X40  
 Loveseat: 75X38X40  
 Chair: 41X38X40



A diagram illustrating the overall dimensions of the sofa (87x38x40 inches), loveseat (75x38x40 inches), and chair (41x38x40 inches) for planning placement.

## WARRANTY INFORMATION

This GEBADOL product comes with a Limited Warranty. Please refer to the warranty card included with your purchase for specific terms and conditions regarding coverage, duration, and claims process.

## CUSTOMER SUPPORT

For further assistance, questions, or to report missing parts, please contact GEBADOL customer service.  
You can also visit the official GEBADOL store for more information and support resources:

[GEBADOL Store](#)