

Manuals.plus /

› Secustone /

› Secustone Fingerprint Door Lock, Keyless Entry Door Lock, 4 in 1 Smart Door Knob with Passcode/Smart APP/Fingerprint/Backup Keys, Door Lock Fingerprint for Bedroom, Apartment, Office, Silver Silver Bluetooth

Secustone T190

Secustone Fingerprint Door Lock User Manual

Model: T190 | Brand: Secustone

INTRODUCTION

This manual provides comprehensive instructions for the installation, operation, and maintenance of your Secustone T190 Fingerprint Door Lock. Please read this manual carefully before installation and use to ensure optimal performance and security.

PRODUCT FEATURES

- **Bluetooth APP Unlock:** Control the smart lock via the Tuya APP (within 5-10 meters) for unlocking and locking.
- **Auto-Locking Function:** Configurable automatic locking interval via the APP.
- **Large Area Fingerprint Sensor:** Enhanced 160*160 resolution fingerprint sensor for quick and accurate identification (0.2s unlocking, 98% recognition rate).
- **Wrong Password/Fingerprint Alarm:** Smart APP pushes alarm notifications for multiple incorrect unlock attempts.
- **Real-Time Supervision:** Mobile APP records unlocking dynamics for historical review.
- **Multiple Unlock Methods:** Supports fingerprint, passcode, smart APP, and backup keys.
- **Reversible Door Handle:** Suitable for single-cylinder doors in both left and right-handed directions.
- **Emergency Power Supply:** Micro-USB port for temporary power (not for charging) in case of battery depletion.

PACKAGE CONTENTS

Verify that all components are present before beginning installation:

Easy to Install

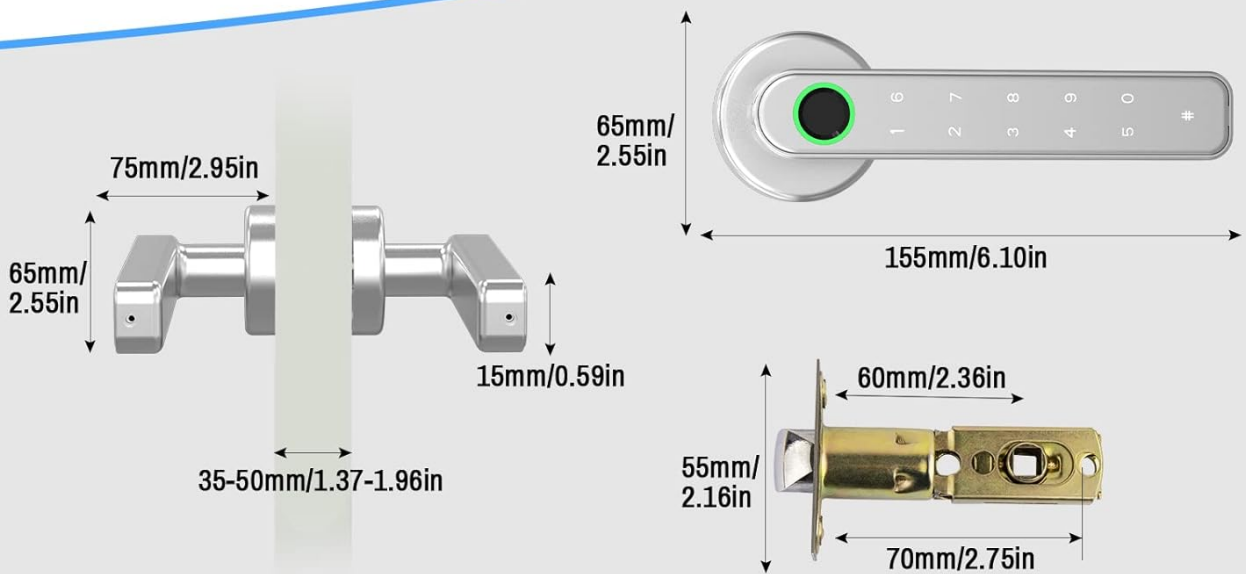
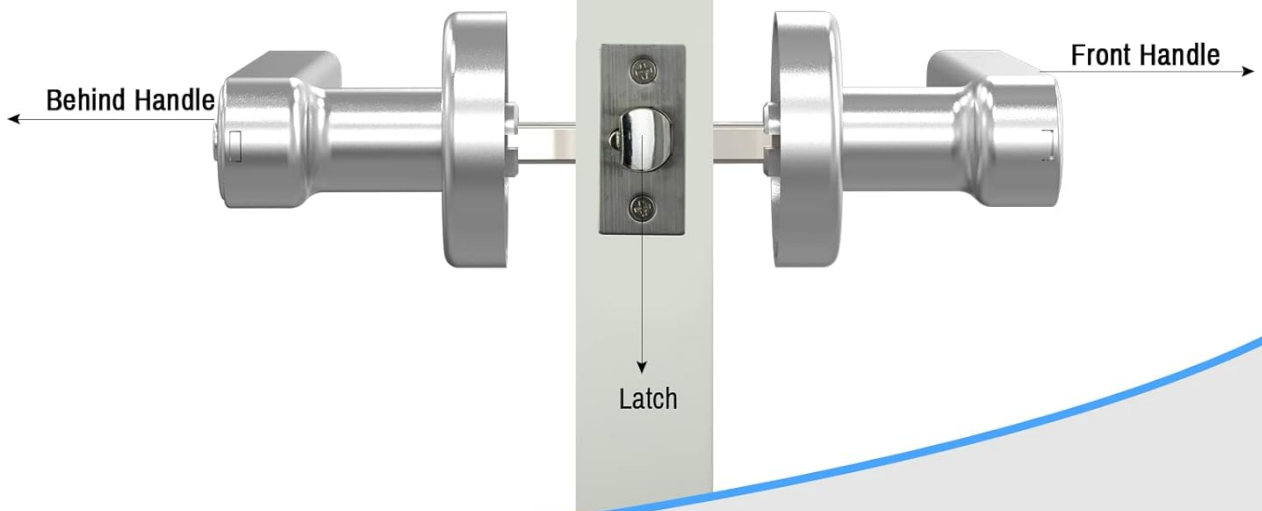


Image: All components included in the Secustone Fingerprint Door Lock package.

- Front Handle Assembly
- Rear Handle Assembly
- Latch Bolt
- Strike Plate
- Mechanical Keys (2)
- Screwdriver and Screws Kit

INSTALLATION GUIDE

For a visual guide, please refer to the official installation video:

Your browser does not support the video tag.

Video: Official installation guide for the Secustone C5 Fingerprint Door Lock.

1. **Prepare the Door:** Ensure your door is compatible with the lock's dimensions (6.14 x 2.56 x 2.7 inches).

2. Install the Latch Bolt:

Adjust the latch bolt length if necessary (2 3/8" (60mm) or 2 3/4" (70mm)). Insert the latch bolt into the door edge and secure it with two screws.

Anti-peep Password Unlocking

Enter random digits before or after your access code to confuse prying eyes!

425137	134678	316829
Random Number	Real Password	Random Number

SecuStar

1 6
2 7
3 8
4 9
0
#

Anti-peeping function

Better Privacy Protection

The image shows a silver SecuStar door lock with a fingerprint scanner and a numeric keypad. A hand is shown pressing the number 3. The background is blue with gears and binary code. A table illustrates the anti-peep feature by showing a random number (425137), a real password (134678), and another random number (316829) combined to form the final access code.

Image: Dimensions and components for easy installation.

3. Install the Front Handle:

Run the wire and square cotter through the latch's square holes. Ensure the handle is oriented correctly for left or right-handed doors.

4. Install the Rear Handle:

Open the battery case on the rear handle. Carefully run the wire from the front handle through the hole in the rear handle. Connect the wire to the port on the battery panel. Secure the rear handle with the provided screws.

5. Install Batteries:

Insert 4 AAA alkaline batteries (not included) into the battery panel. Close the battery cover and secure it with the small screw.

6. Test Functionality:

After installation, test the mechanical key, fingerprint, and passcode functions to ensure proper operation before closing the door.

OPERATING INSTRUCTIONS

1. Fingerprint Unlocking

Place your registered finger on the fingerprint sensor. The lock will unlock within 0.2 seconds if the fingerprint is recognized.



Image: The large area fingerprint sensor provides quick and accurate unlocking.

2. Passcode Unlocking

Enter your registered passcode on the keypad. The lock supports an anti-peep function, allowing you to enter random digits before or after your actual code to prevent others from guessing it.

False Alarm

When a suspicious person tries the wrong password or fingerprint unlock for many times, the smart APP will recover the alarm information



Image: Anti-peep password unlocking feature for enhanced privacy.

3. Smart APP Unlocking (Bluetooth)

Ensure Bluetooth is enabled on your smartphone and you are within 5-10 meters of the lock. Open the Tuya APP, select your lock, and tap the unlock button.

Smart APP Unlock

With Tuya smart APP, you can control the smart lock via the bluetooth.



Image: Smart APP Unlock via Bluetooth using the Tuya smart APP.

4. Backup Key Unlocking

In case of battery failure or electronic malfunction, use the provided mechanical backup keys to unlock the door.

5. Auto-Locking

The lock features an automatic-locking function. The interval for auto-locking can be configured through the Tuya APP. After unlocking, the door will automatically lock within the set time.

6. Free Passage Mode & Silent Mode

The lock supports a Free Passage Mode for unrestricted access and a Silent Mode to disable sound notifications, both configurable via the APP.

Multi-Function



100 Fingerprints



50 User Codes



Left and right door



Power Display



Free Passage Mode



Auto-Lock



Temporary Password



Silent Mode



Image: Multi-function capabilities of the Secustone Smart Lock.

TUYA APP SETUP AND MANAGEMENT

1. **Download and Install Tuya APP:** Search for "Tuya Smart" in your device's app store and install it.
2. **Register an Account:** Follow the in-app instructions to register a new user account.
3. **Add Device:**
Open the Tuya APP, ensure Bluetooth is on, and follow the prompts to add your Secustone Fingerprint Door Lock. You may need to activate the lock's Bluetooth pairing mode (refer to the lock's specific instructions for this step).
4. **User Management:**
Within the APP, you can add and manage multiple users, assign fingerprints and passcodes, and set temporary passwords for guests.

4-in-1 Smart Lock

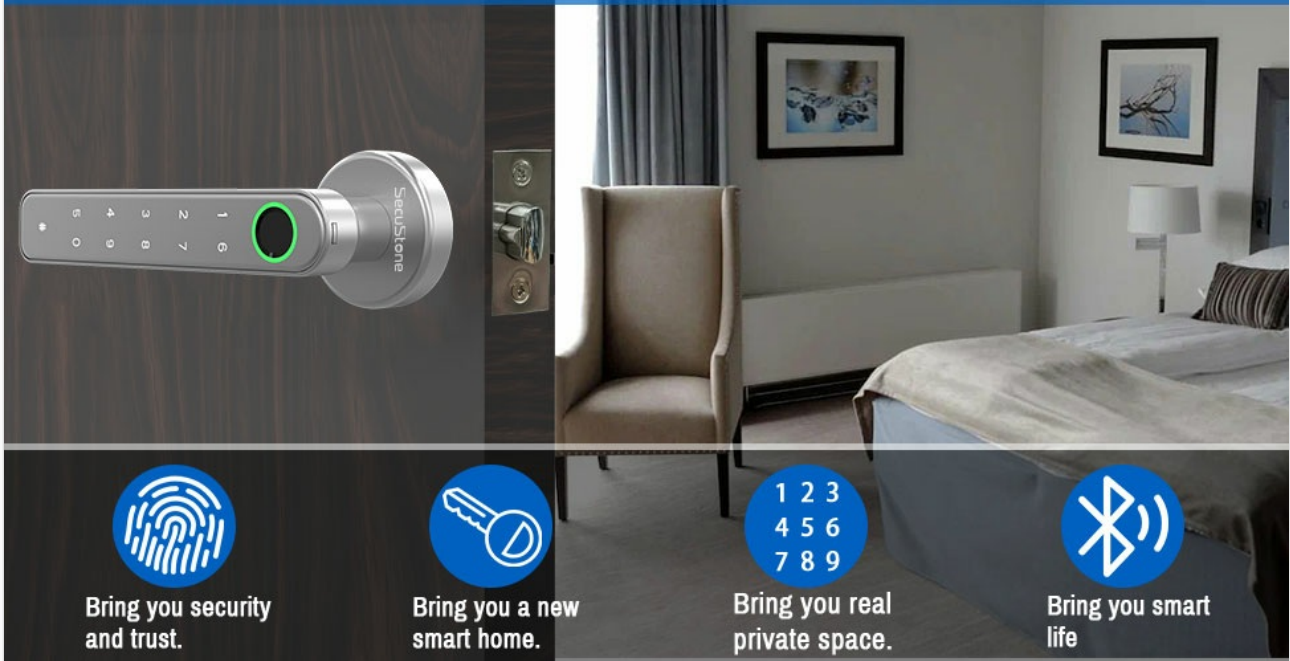


Image: Family sharing feature through the Tuya APP.

5. Unlock Record:

The mobile APP maintains a real-time record of all unlocking activities, allowing you to review the history anytime, anywhere.

Family Sharing

You only need to add designated family members through the administrator account to share the control permissions of the smart lock via smart APP. **(Note: The invited person needs to register the Tuya APP account in advance.)**

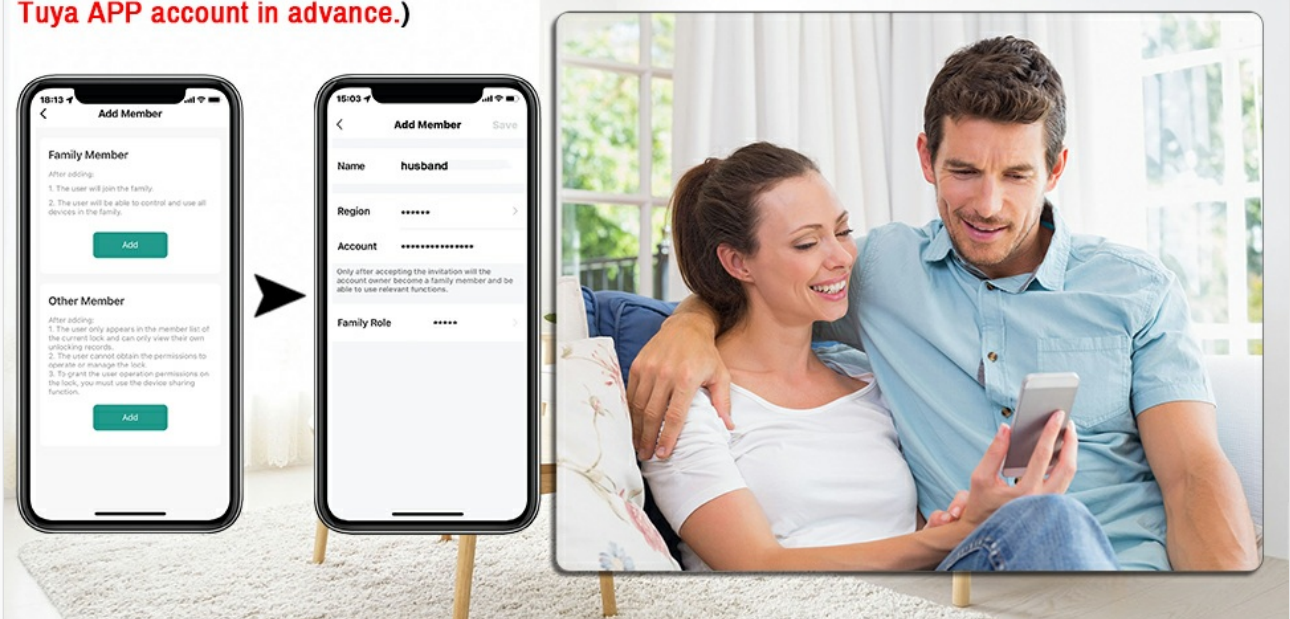


Image: Unlock record history accessible via the mobile APP.

MAINTENANCE

- **Battery Replacement:** The lock requires 4 AAA alkaline batteries. Replace them when the low battery reminder

is activated. The APP will also display the current battery level.



Image: Emergency power supply and battery level display.

- **Cleaning:** Use a soft, dry cloth to clean the lock's surface. Avoid abrasive cleaners or solvents that could damage the finish or electronic components.
- **Fingerprint Sensor Care:** Keep the fingerprint sensor clean and free of debris to ensure accurate recognition.

TROUBLESHOOTING

- **Lock not responding:** Check battery level. If batteries are depleted, use the mechanical key or connect a micro-USB power source for emergency power.
- **Fingerprint not recognized:** Ensure your finger is clean and dry. Try re-registering your fingerprint in the APP. Ensure your finger covers the entire sensor area.
- **Passcode not working:** Ensure you are entering the correct passcode. Remember the anti-peep function allows extra digits before/after the actual code.
- **Alarm triggered:** The lock will alarm if multiple incorrect fingerprint or passcode attempts are made. Check the APP for alarm notifications.

Anti-peep Password Unlocking

Enter random digits before or after your access code to confuse prying eyes!

425137	134678	316829
Random Number	Real Password	Random Number



Anti-peeping
function



Better Privacy
Protection

Image: False alarm notifications for incorrect attempts.

- **APP connectivity issues:** Ensure Bluetooth is enabled on your phone and you are within range of the lock. Restart the APP or re-pair the device if necessary.

SPECIFICATIONS

Feature	Detail
Brand	Secustone
Model Name	T190
Lock Type	Biometric Identification Door Knob
Special Feature	Bluetooth Smart APP
Item Dimensions (L x W x H)	6.14 x 2.56 x 2.7 inches
Material	Metal
Item Weight	2 Pounds
Connectivity Protocol	Bluetooth
Recommended Uses	Interior doors (Home, Apartment, Bedroom, etc.)

WARRANTY AND SUPPORT

Secustone products are designed for reliability and performance. For specific warranty details and technical support, please refer to the warranty card included with your product or visit the official Secustone website. You may also contact customer service via the email address provided in your product packaging.

For further assistance, please visit the [Secustone Store on Amazon](#).