

[Manuals.plus](#) /

> [OAUTOO](#) /

> OAUTOO Fog Lamp Assembly Screw (Part No. 90167-50063) Instruction Manual

## OAUTOO 90167-50063

# OAUTOO Fog Lamp Assembly Screw (Part No. 90167-50063) Instruction Manual

Model: 90167-50063

## INTRODUCTION

---

This manual provides essential information for the proper installation and maintenance of the OAUTOO Fog Lamp Assembly Screw, compatible with Toyota part number 90167-50063. Please read these instructions carefully before proceeding with any installation or maintenance to ensure correct application and optimal performance.

## PRODUCT OVERVIEW

---

The OAUTOO Fog Lamp Assembly Screw is a replacement fastener designed to secure various automotive components, primarily fog lamp assemblies, in compatible Toyota and Lexus vehicles. This screw is manufactured to match the specifications of OEM part number 90167-50063.

- **Type:** Phillips Head Tapping Screw
- **Size:** M5-1.8X13.5mm
- **Quantity:** 30 pieces per pack
- **Primary Application:** Securing fog lamp assemblies, grille components, bumper covers, and other trim elements.



Figure 1: A single OAUTOO M5-1.8X13.5mm Phillips Head Tapping Screw. This image shows the Phillips head drive and the self-tapping thread design.

## INSTALLATION INSTRUCTIONS

---

These screws are designed for direct replacement of OEM part number 90167-50063. Always refer to your vehicle's specific service manual for detailed instructions and safety precautions related to the component you are working on.

### Tools Required:

- Phillips head screwdriver (appropriate size for M5 screws)
- Vehicle-specific tools for accessing the component (e.g., panel removal tools, wrenches)

### General Installation Steps:

1. **Preparation:** Ensure the vehicle is safely parked on a level surface with the engine off and parking brake engaged. If working under the vehicle, use appropriate jack stands.
2. **Access:** Carefully remove any panels or components necessary to gain access to the area where the screw will be installed.
3. **Removal (if replacing):** Using a Phillips head screwdriver, carefully remove the old or damaged screw. If the old screw is stripped, use appropriate extraction tools.
4. **Placement:** Position the component (e.g., fog lamp assembly) correctly into its mounting location.
5. **Installation:** Insert the OAUTOO screw into the designated hole. Using the Phillips head screwdriver, turn the screw clockwise until it is snug.
6. **Tightening:** Tighten the screw until it is secure. Avoid overtightening, as this can strip the threads in the plastic or metal housing, or damage the screw itself. The screw should hold the component firmly without excessive force.
7. **Reassembly:** Reinstall any removed panels or components in reverse order.

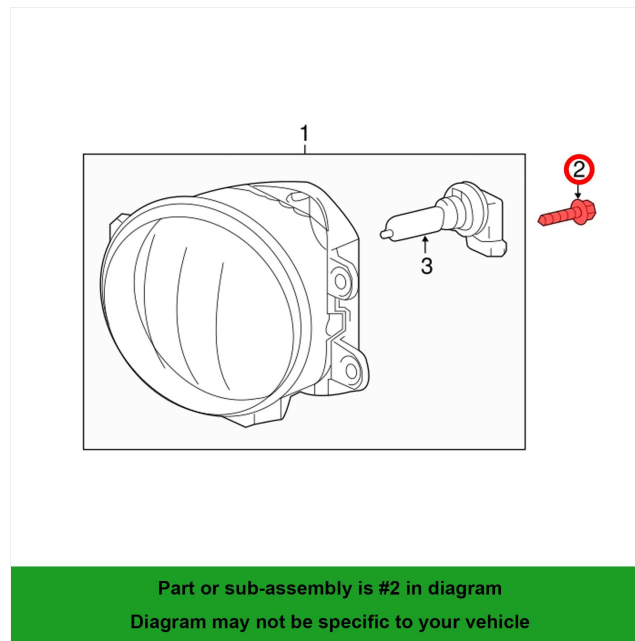


Figure 2: An illustrative diagram indicating the position of a screw (labeled #2) in a fog lamp assembly. This diagram helps visualize the typical application of such a fastener.

## MAINTENANCE

---

For optimal performance and longevity, periodic inspection of the installed screws is recommended.

- **Tightness Check:** Periodically check the screws to ensure they remain securely tightened. Vibrations from vehicle operation can sometimes cause fasteners to loosen over time.
- **Corrosion Inspection:** Inspect the screws for any signs of corrosion or rust, especially in environments exposed to moisture, road salt, or harsh chemicals. While these screws are designed for automotive use, extreme conditions can affect their finish. Replace any corroded screws to prevent potential failure.

## TROUBLESHOOTING

---

- **Screw Does Not Fit:**

Verify that the part number 90167-50063 is the correct screw for your specific vehicle application. Compare the dimensions of the OAUTOO screw with the original screw if available. Ensure the hole is clear of debris or damaged threads.

- **Screw Loosens After Installation:**

Ensure the screw was tightened sufficiently during installation without overtightening. If the issue persists, inspect the mounting hole for stripped threads. For applications prone to vibration, a small amount of non-permanent thread-locking compound may be considered, but consult a professional for such modifications.

- **Screw Head Strips During Installation:**

This usually indicates excessive force or using an incorrectly sized Phillips head screwdriver. Ensure the screwdriver bit fits snugly into the screw head. Apply firm, even pressure while turning. Replace any stripped screws immediately.

## SPECIFICATIONS

---

Feature	Detail
Brand	OAUTOO
Model Number (Compatible OEM)	90167-50063
Head Style	Phillips
Thread Size	M5
Screw Dimensions	M5-1.8X13.5mm
Product Dimensions (Packaging)	4.3 x 0.69 x 6.3 inches
Item Weight	3.21 ounces (for 30 pieces)

## COMPATIBILITY

---

This screw is compatible with various Toyota and Lexus models that utilize OEM part number 90167-50063. A partial list of compatible vehicles is provided below. Always verify the specific part number required for your vehicle before purchase and installation.

### Toyota / Scion Models:

- 2016 Scion iM
- 2012-2015 Scion iQ
- 2011-2016 Scion tC

- 2010-2021 Toyota 4Runner
- 2013-2021 Toyota Avalon
- 2017-2021 Toyota C-HR
- 2012-2021 Toyota Camry
- 2014-2021 Toyota Corolla
- 2017-2018 Toyota Corolla iM
- 2014-2021 Toyota Highlander
- 2015-2021 Toyota Land Cruiser
- 2009-2014 Toyota Matrix
- 2016-2021 Toyota Mirai
- 2010-2021 Toyota Prius
- 2012-2019 Toyota Prius C
- 2017-2021 Toyota Prius Prime
- 2012-2017 Toyota Prius V
- 2012-2021 Toyota RAV4
- 2021 Toyota RAV4 Prime
- 2017-2021 Toyota Sequoia
- 2011-2021 Toyota Sienna
- 2011-2021 Toyota Tacoma
- 2013-2021 Toyota Tundra
- 2021, 2009-2017 Toyota Venza
- 2007-2018 Toyota Yaris

## **Lexus Models:**

- 2011-2017 Lexus CT200h
- 2021 Lexus ES250
- 2013-2021 Lexus ES300h
- 2013-2021 Lexus ES350
- 2016-2020 Lexus GS F
- 2017 Lexus GS Turbo
- 2016 Lexus GS200t
- 2018-2019 Lexus GS300
- 2013-2020 Lexus GS350
- 2013-2018 Lexus GS450h
- 2010-2021 Lexus GX460
- 2010-2012 Lexus HS250h
- 2008-2014 Lexus IS F
- 2017 Lexus IS Turbo
- 2016 Lexus IS200t
- 2012-2015 Lexus IS250
- 2016-2021 Lexus IS300
- 2012-2021 Lexus IS350
- 2018-2021 Lexus LC500

- 2018-2021 Lexus LC500h
- 2013-2017 Lexus LS460
- 2018-2021 Lexus LS500
- 2018-2021 Lexus LS500h
- 2013-2016 Lexus LS600hL
- 2008-2021 Lexus LX570
- 2015-2017 Lexus NX200t
- 2018-2021 Lexus NX300
- 2015-2021 Lexus NX300h
- 2015-2021 Lexus RC F
- 2017 Lexus RC Turbo
- 2016 Lexus RC200t
- 2016-2021 Lexus RC300
- 2015-2021 Lexus RC350
- 2010-2021 Lexus RX350
- 2018-2021 Lexus RX350L
- 2010-2021 Lexus RX450h
- 2018-2021 Lexus RX450hL
- 2019-2021 Lexus UX200
- 2019-2021 Lexus UX250h

## WARRANTY INFORMATION

---

Specific warranty details for OAUTOO products may vary. For information regarding warranty coverage, terms, and conditions, please refer to the product packaging or contact OAUTOO customer support directly. Keep your proof of purchase for any warranty claims.

## CUSTOMER SUPPORT

---

If you have any questions regarding the OAUTOO Fog Lamp Assembly Screws, their installation, or compatibility, please contact the seller or OAUTOO customer support for assistance. Provide your product details and any relevant vehicle information when contacting support.

