



Manuals.plus /

› HOOBRO /

› HOOBRO 10-Tier Shoe Rack (Model BF40XJ01) Instruction Manual

## HOOBRO BF40XJ01

# HOOBRO 10-Tier Shoe Rack (Model BF40XJ01)

Instruction Manual

## INTRODUCTION

---

This manual provides detailed instructions for the assembly, safe use, and maintenance of your HOOBRO 10-Tier Shoe Rack, Model BF40XJ01. Please read all instructions carefully before assembly and use to ensure proper function and safety.

The HOOBRO 10-Tier Shoe Rack is designed to offer efficient and space-saving shoe storage. Its narrow design and multiple tiers make it suitable for various rooms, including entryways, hallways, living rooms, and bedrooms.

## SAFETY INFORMATION

---

### Important Safety Warnings:

- Do not exceed the weight limit of 22 lb (10 kg) on the top shelf.
- Do not exceed the weight limit of 11 lb (5 kg) on each metal mesh frame layer.
- Improperly supported or overloaded shelves can cause personal injury or property damage.
- Ensure all connections are securely tightened during assembly.
- Use the included anti-tip kit to secure the shoe rack to a wall, especially in homes with children or pets, to prevent accidental tipping.

## PACKAGE CONTENTS

---

Before beginning assembly, verify that all parts listed in the instruction manual are present and undamaged. Each part is clearly labeled for easy identification.

The package typically includes:

- Particleboard top shelf
- Metal frame components
- Metal mesh shelves (10 tiers)
- Adjustable feet
- Anti-tip kit
- Assembly hardware (screws, bolts, etc.)

## **ASSEMBLY INSTRUCTIONS**

---

Assembly is designed to be straightforward. Follow the step-by-step instructions provided in the included manual. It is recommended to use a ratcheting screwdriver for quicker and easier assembly, though a hex wrench is typically provided.

1. Unpack all components and lay them out on a clean, soft surface to prevent scratches.
2. Identify each part using the labels and the parts list in the manual.
3. Begin by attaching the main frame components as per the diagrams. Do not fully tighten screws until all parts are loosely assembled.
4. Insert the metal mesh shelves into the designated slots. Ensure they are oriented correctly.
5. Attach the top particleboard shelf.
6. Once all components are in place, gradually tighten all screws, ensuring the rack is stable and level.
7. Install the adjustable feet at the bottom of the rack. Adjust them to ensure stability on uneven floors.
8. Secure the shoe rack to a wall using the provided anti-tip kit. This is a crucial safety step.



Figure 1: Assembled HOOBRO 10-Tier Shoe Rack in an entryway.



Figure 2: Key features including industrial style top panel, anti-tip mechanism, and adjustable feet.

## USAGE

The HOOBRO 10-Tier Shoe Rack is designed for versatile shoe storage and organization.

- **Space-Saving Design:** Its narrow dimensions (20.5" L x 11.8" W x 67.7" H) are ideal for maximizing vertical space in compact areas like entryways, hallways, and closets.
- **Adjustable Shelves:** The metal mesh shelves are designed to be detachable. This feature allows you to remove one or more shelves to create taller compartments, accommodating boots or high heels as needed.
- **Top Shelf Functionality:** The sturdy particleboard top shelf can hold up to 22 lb and features a raised edge, making it suitable for placing small items like keys, wallets, or decorative objects, preventing them from falling off.
- **Shoe Capacity:** The rack can typically hold 18-20 pairs of shoes, depending on their size and style.

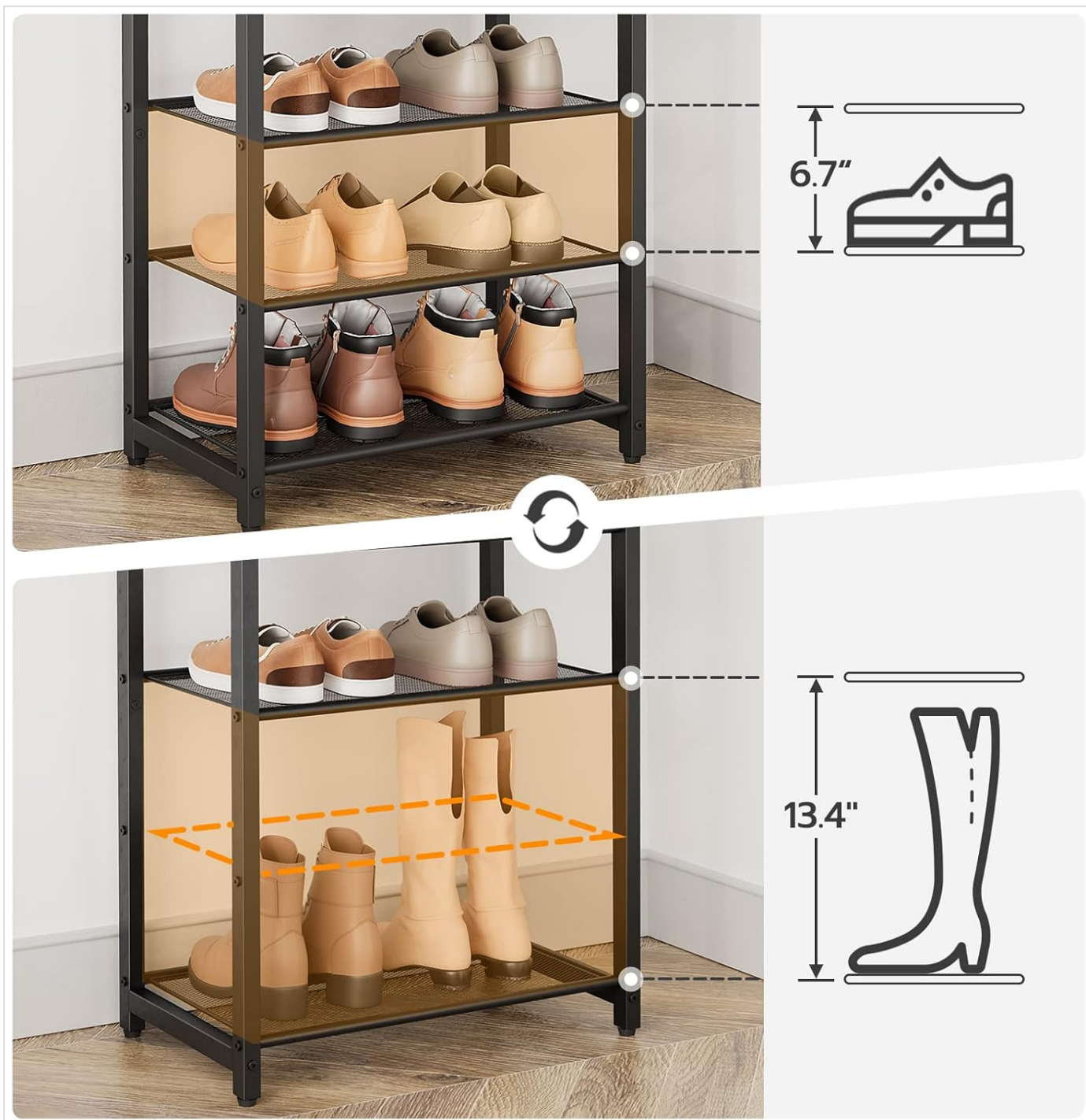
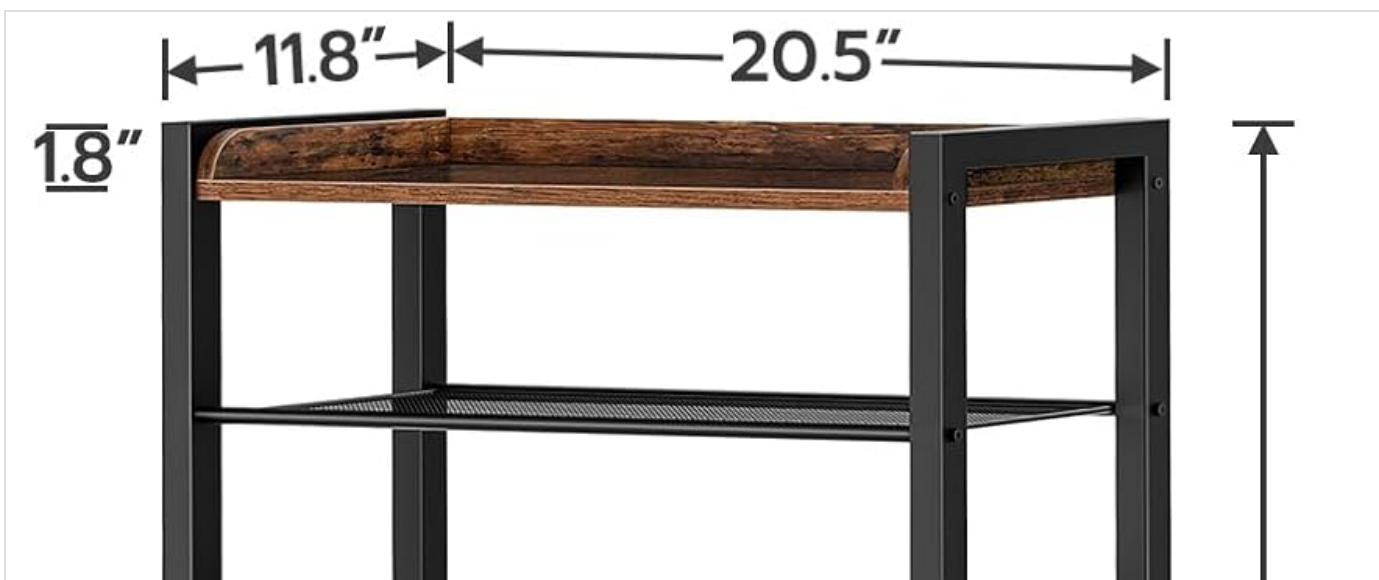


Figure 3: Adjustable shelf for accommodating different shoe heights.



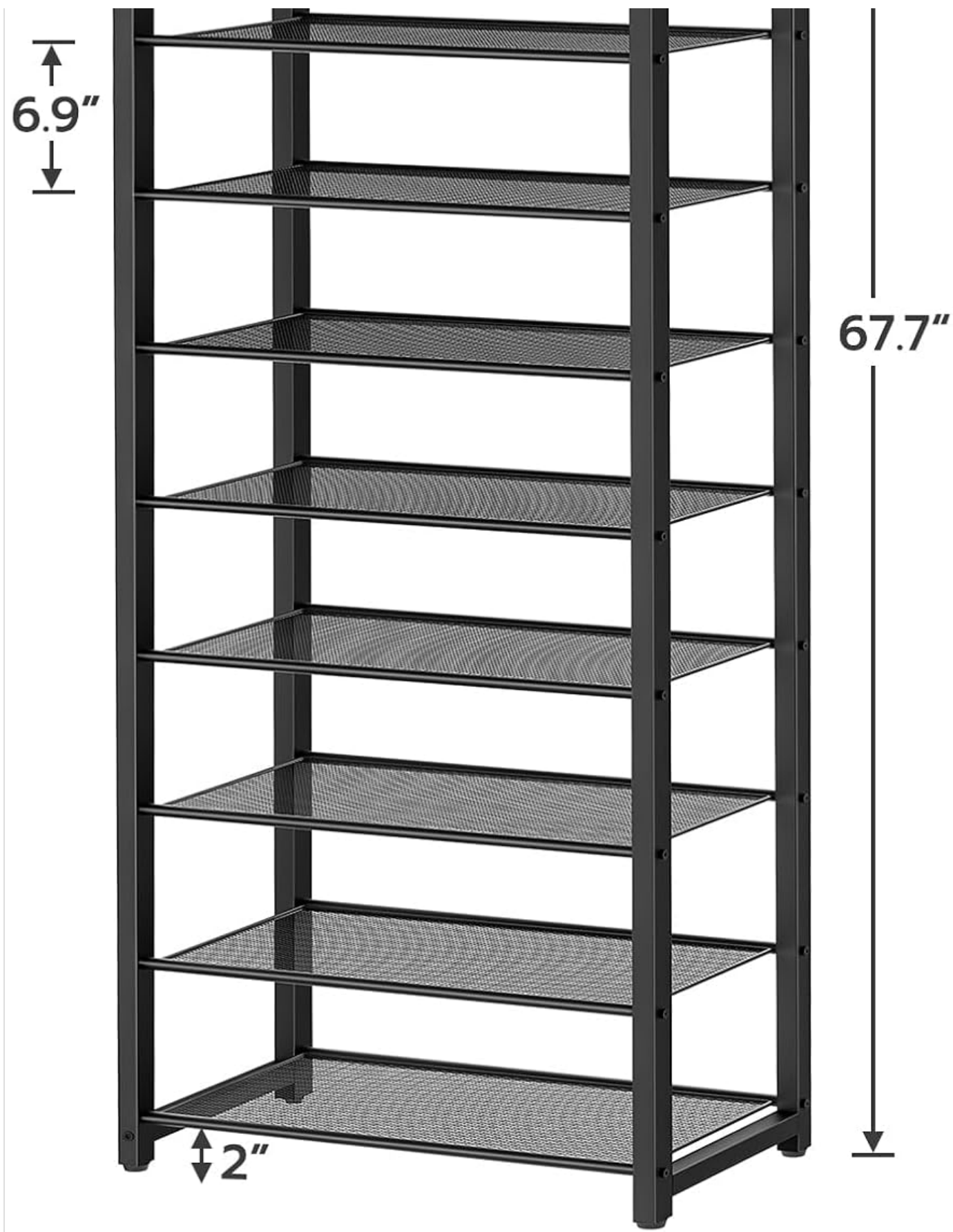


Figure 4: Intensive mesh design for secure storage of various shoe types, including high heels.

Your browser does not support the video tag.

Video 1: Overview of the HOOBRO Shoe Rack, highlighting its narrow design and space-saving capabilities.

Your browser does not support the video tag.

Video 2: Detailed look at the HOOBRO 10-Tier Shoe Rack (Model BF40XJ01), showcasing its features and design.

## MAINTENANCE

---

To maintain the appearance and longevity of your shoe rack:

- Wipe the surfaces with a dry cloth regularly to remove dust and dirt.
- Avoid using harsh chemicals or abrasive cleaners, as these can damage the finish.
- Periodically check all screws and connections to ensure they remain tight. Re-tighten if necessary.
- Keep the rack in a dry environment to prevent moisture damage to the engineered wood and metal components.

## TROUBLESHOOTING

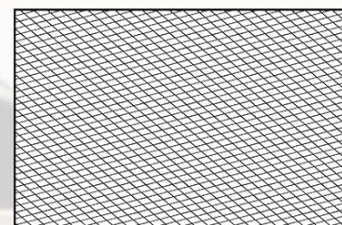
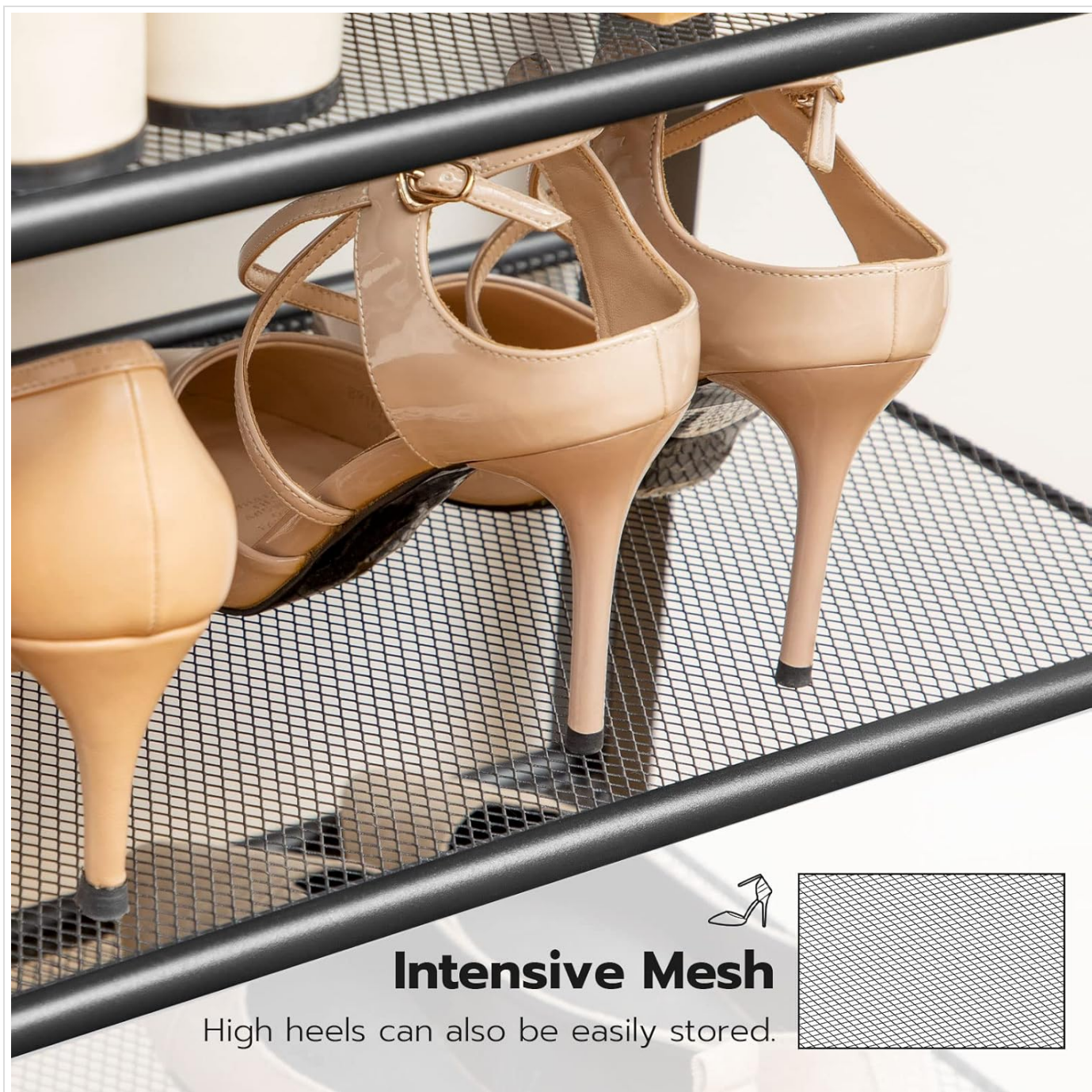
---

Problem	Possible Cause	Solution
Rack is wobbly/unstable	Screws are loose; uneven floor; adjustable feet not properly set.	Tighten all screws. Adjust the leveling feet until the rack is stable. Ensure the anti-tip kit is installed.
Parts do not fit together	Incorrect orientation of parts; manufacturing defect.	Double-check the assembly diagrams for correct part orientation. If parts are still not fitting, contact customer support.
Missing parts	Packaging error.	Refer to the parts list in the manual and contact customer support for replacements.

## SPECIFICATIONS

---

Feature	Detail
Brand	HOOBRO
Model Number	BF40XJ01
Product Dimensions	20.5" L x 11.8" W x 67.7" H (52 cm L x 30 cm W x 172 cm H)
Number of Tiers	10
Material	Engineered Wood, Metal
Color	Rustic Brown
Top Shelf Weight Capacity	22 lb (10 kg)
Each Mesh Shelf Weight Capacity	11 lb (5 kg)
Special Features	Adjustable, Detachable Shelves, Durable, Space Saving, Anti-tip Kit, Adjustable Feet
Assembly Required	Yes
Product Weight	11 pounds (5 kg)



## Intensive Mesh

High heels can also be easily stored.

Figure 5: Product dimensions of the HOOBRO 10-Tier Shoe Rack.

### WARRANTY AND SUPPORT

For warranty information, missing parts, or any questions regarding your HOOBRO 10-Tier Shoe Rack, please contact HOOBRO customer support. Refer to the contact information provided with your purchase or visit the official HOOBRO website.

**Website:** HOOBRO Official Store