

[Manuals.plus](#) /

> [BBQ-PLUS](#) /

> BBQ-PLUS Grill Replacement Parts Instruction Manual for Charbroil Classic 360 and American Gourmet Grills

BBQ-PLUS CBZH

BBQ-PLUS Grill Replacement Parts Instruction Manual

Model: CBZH

INTRODUCTION

This manual provides detailed instructions for the installation, operation, and maintenance of your BBQ-PLUS Grill Replacement Parts. These parts are designed to restore the functionality and extend the lifespan of your compatible Charbroil Classic and American Gourmet grills. Please read this manual thoroughly before proceeding with installation or use.



Image: Overview of BBQ-PLUS Grill Replacement Parts for Charbroil Classic 360 3-Burner.

COMPATIBILITY

These replacement parts are compatible with the following grill models:

- **Charbroil Classic 280 2-Burner:** 463613717, 463647018, 463672717, 463672817
- **Charbroil Classic 360 3-Burner:** 463742418, 463773717, 463773817, 463773917

- **Charbroil Classic 4-Burner:** 463874717
- **Charbroil American Gourmet 2-Burner:** 465635821, 465636021
- **Charbroil American Gourmet 3-Burner:** 465735621

These parts replace Charbroil original part numbers: #G320-0200-W1A, G215-0203-W1.

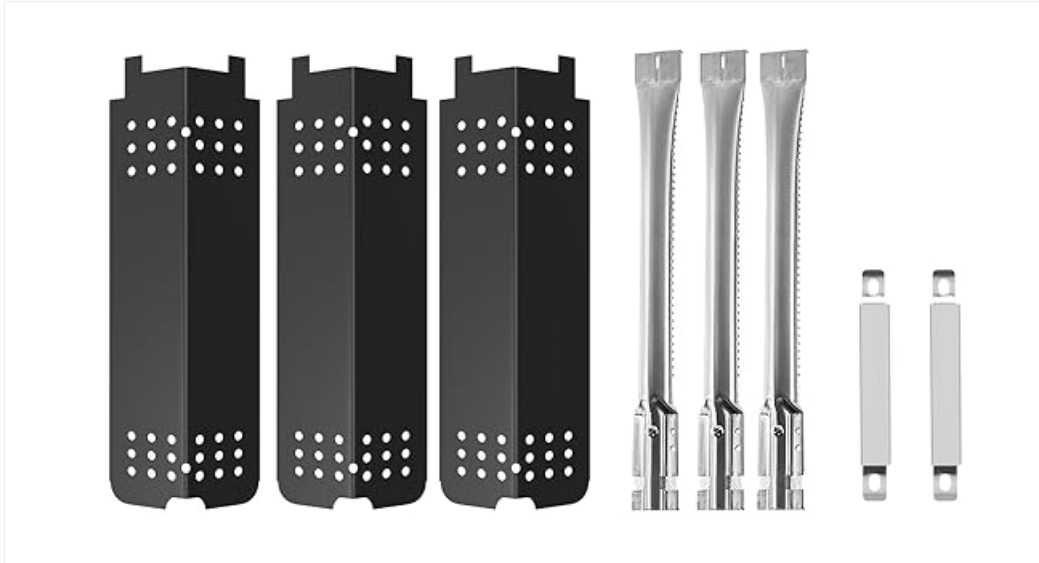


Image: Visual representation of compatible Charbroil Classic 360 grill parts.

PACKAGE CONTENTS

The repair kit includes the following components:

- 3 x Heat Plates
- 3 x Grill Burners
- 2 x Adjustable Carryover Tubes



Image: All components included in the BBQ-PLUS Grill Replacement Parts kit.

PRODUCT DIMENSIONS AND MATERIALS

- **Heat Plates:**
Dimensions: 13 inches (L) x 4 inches (W)
Material: Porcelain Steel

Please confirm the original product size before purchasing

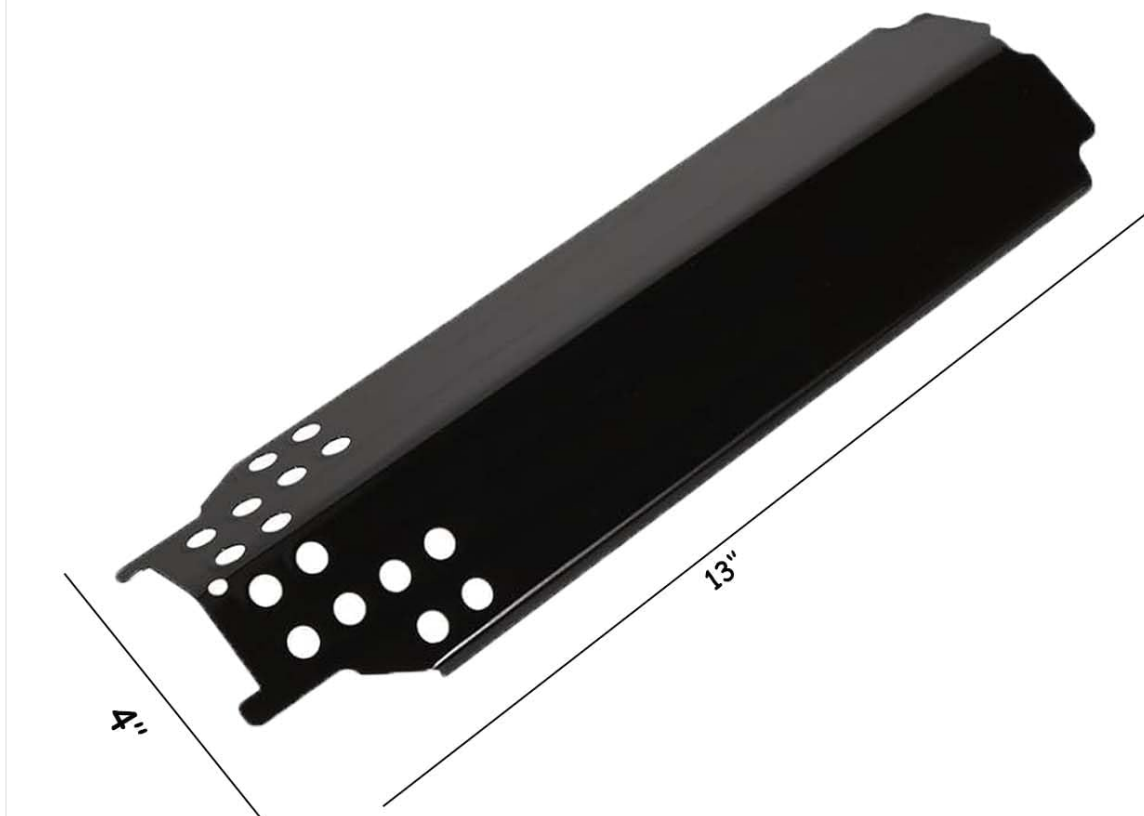


Image: Detailed dimensions of the heat plate.

- **Grill Burners:**

Dimensions: 12.6 inches (L)

Material: Stainless Steel



Image: Detailed dimensions and material quality of the grill burner.

- **Adjustable Carryover Tubes:**
Adjustable Length: Extends from 4 inches to 9.5 inches
Material: Stainless Steel

Adjustable Crossover Tubes

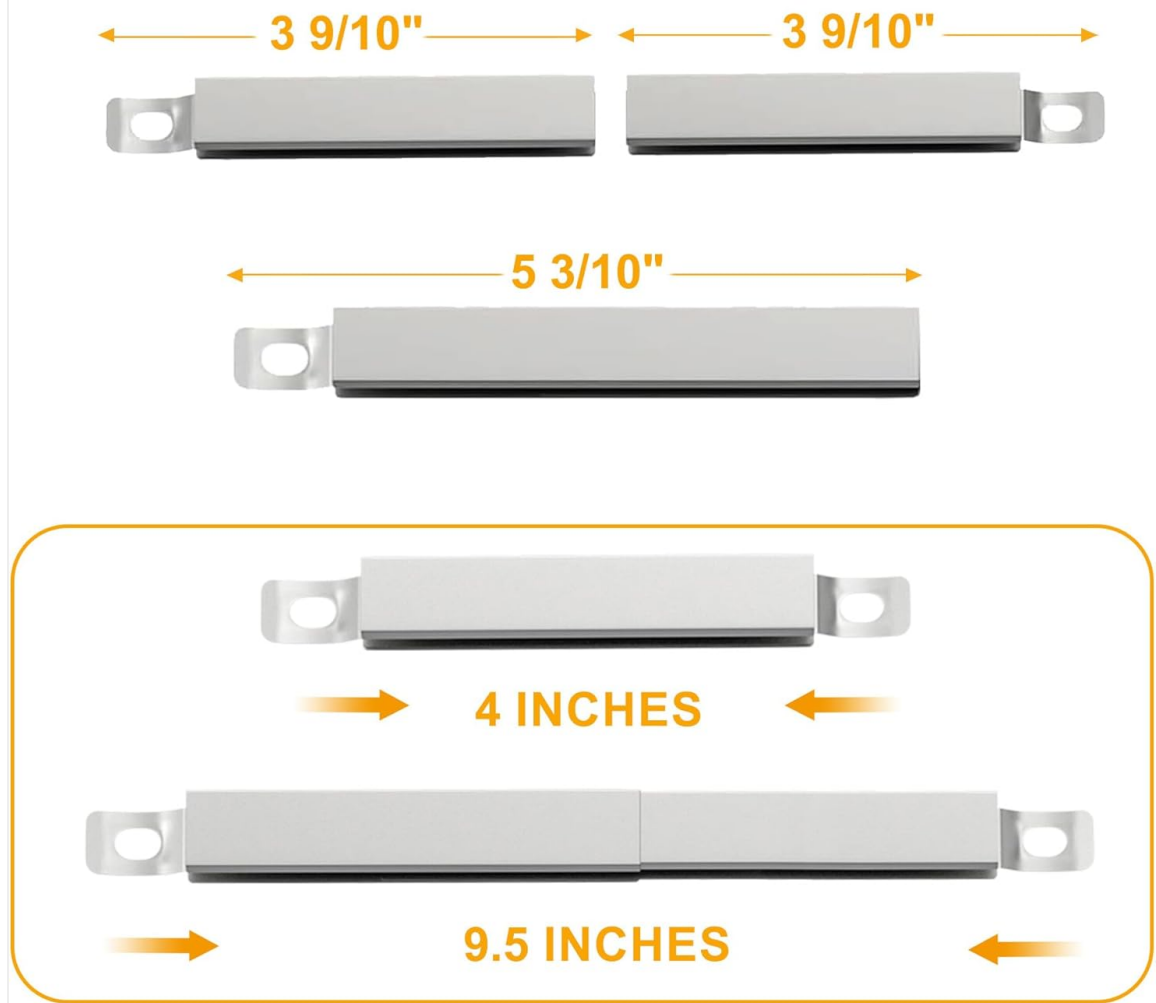


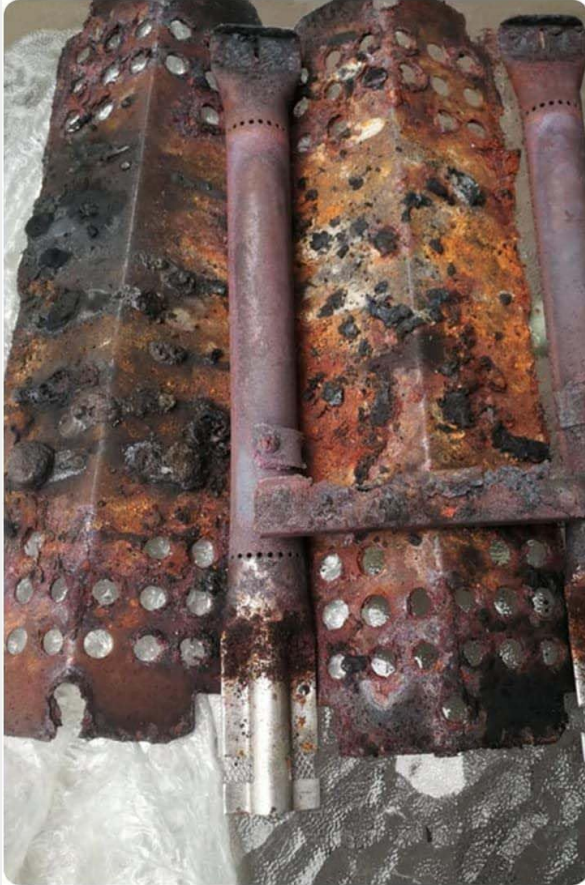
Image: Detailed dimensions and adjustability of the carryover tubes.

SETUP AND INSTALLATION

Before beginning installation, ensure your grill is completely cool and disconnected from its gas supply. It is recommended to wear protective gloves.

1. **Remove Old Components:** Carefully remove the existing heat plates, burners, and carryover tubes from your grill. Note their original positions for reference.
2. **Clean Grill Interior:** Clean any debris, grease, or rust from the grill's interior, especially around burner ports and heat plate supports.
3. **Install New Burners:** Place the new grill burners into their designated slots. Ensure they are properly seated and aligned with the gas valves.
4. **Install Carryover Tubes:** Connect the adjustable carryover tubes between the burners. Adjust their length to ensure a secure fit and proper flame transfer.
5. **Install Heat Plates:** Position the new heat plates over the burners, ensuring they rest securely on their supports.
6. **Test for Leaks:** Reconnect the gas supply and perform a leak test according to your grill manufacturer's instructions before first use.

BEFORE



AFTER



Replace parts to make your grill look like new

Image: Comparison of old, worn grill parts (left) and new replacement parts (right).

OPERATING YOUR GRILL WITH NEW PARTS

After installation, your grill should operate as intended. Always follow your grill's original operating instructions for safe and effective use.

- **Initial Burn-Off:** Before cooking, perform an initial burn-off by running the grill on high for 10-15 minutes to burn off any manufacturing residues.
- **Flame Check:** Observe the flame pattern. It should be mostly blue with yellow tips. Irregular flames may indicate a burner or gas flow issue.
- **Even Heat Distribution:** The new heat plates are designed to distribute heat evenly across the cooking surface. Monitor cooking results to ensure optimal performance.



Image: Grill in use, demonstrating cooking with the replacement parts.

MAINTENANCE

Regular maintenance will help prolong the life of your replacement parts and ensure consistent grill performance.

- **Clean Heat Plates:** After each use, once the grill is cool, scrape off any food debris from the heat plates. Periodically remove and clean them with warm soapy water.
- **Inspect Burners:** Regularly check burner ports for blockages (e.g., food particles, insect nests). Use a wire brush or a stiff wire to clear any obstructions.
- **Check Carryover Tubes:** Ensure carryover tubes are free of blockages and securely connected.
- **Storage:** If storing the grill for an extended period, ensure all components are clean and dry. Consider using a grill cover to protect against elements.

TROUBLESHOOTING

Problem	Possible Cause	Solution
---------	----------------	----------

Problem	Possible Cause	Solution
Uneven heating	Blocked burner ports or misaligned heat plates.	Clean burner ports. Ensure heat plates are correctly positioned.
Burner not lighting	Blocked burner port, faulty igniter, or gas flow issue.	Clear burner ports. Check igniter connection. Verify gas supply.
Parts do not fit correctly	Incorrect model compatibility or manufacturing variation.	Double-check your grill model number against the compatibility list. Contact customer support if issues persist.
Premature rusting	Improper cleaning or exposure to harsh elements.	Ensure regular cleaning and proper storage. Use a grill cover.

SPECIFICATIONS

- **Product Dimensions:** 10 x 5 x 10 inches (overall package)
- **Item Weight:** 2.89 pounds
- **Manufacturer:** BBQ-PLUS
- **Item Model Number:** CBZH
- **Materials:** Porcelain Steel (Heat Plates), Stainless Steel (Burners, Carryover Tubes)

WARRANTY AND SUPPORT

BBQ-PLUS is committed to providing high-quality grill replacement parts. If you encounter any problems during the process of receiving or using the product, please contact our customer service team. We aim to respond within 24 hours and provide a satisfactory solution.

For support, please refer to the contact information provided with your purchase or visit the official BBQ-PLUS store page on Amazon.