

## Thule 12V G2 550

# Thule Slide Out 12V G2 550 Aluminum Electric Step User Manual

Model: 12V G2 550 | Brand: Thule

## INTRODUCTION

---

This manual provides essential information for the safe and correct installation, operation, and maintenance of your Thule Slide Out 12V G2 550 Aluminum Electric Step. Please read these instructions carefully before use and retain them for future reference.

### Important Safety Information

- **Professional Installation:** Installation of this electric step **must** be performed by a qualified specialist to ensure proper function and safety. Incorrect installation can lead to malfunction or injury.
- **Emergency Release:** The step is equipped with an emergency release mechanism for use in case of power failure. Familiarize yourself with its location and operation.
- **Power Interruption Safety:** In the event of a power interruption, the step includes safety features to prevent unintended movement.
- **Operation:** The step extends by pressing the switch for 2-3 seconds. Ensure the area around the step is clear before operation.

## PRODUCT FEATURES

---

- **Durable Construction:** Side panels and the step surface are crafted from anodized aluminum for strength and corrosion resistance.
- **Anti-Slip Surface:** Features anti-slip rubber inserts on the step for enhanced safety.
- **12 Volt Operation:** Designed for seamless integration with your vehicle's 12 Volt electrical system.
- **Integrated Switch:** Includes a dedicated switch with an anthracite cover for convenient operation.
- **Emergency Mechanisms:** Equipped with an emergency release and safety features for power interruptions.

## SPECIFICATIONS

---

Operating Voltage	12 Volt
Step Width	550 mm
Step Length (Depth)	290 mm
External Casing Dimensions	440 mm x 600 mm
Connection Cable Length	2030 mm
Weight	6.2 kg

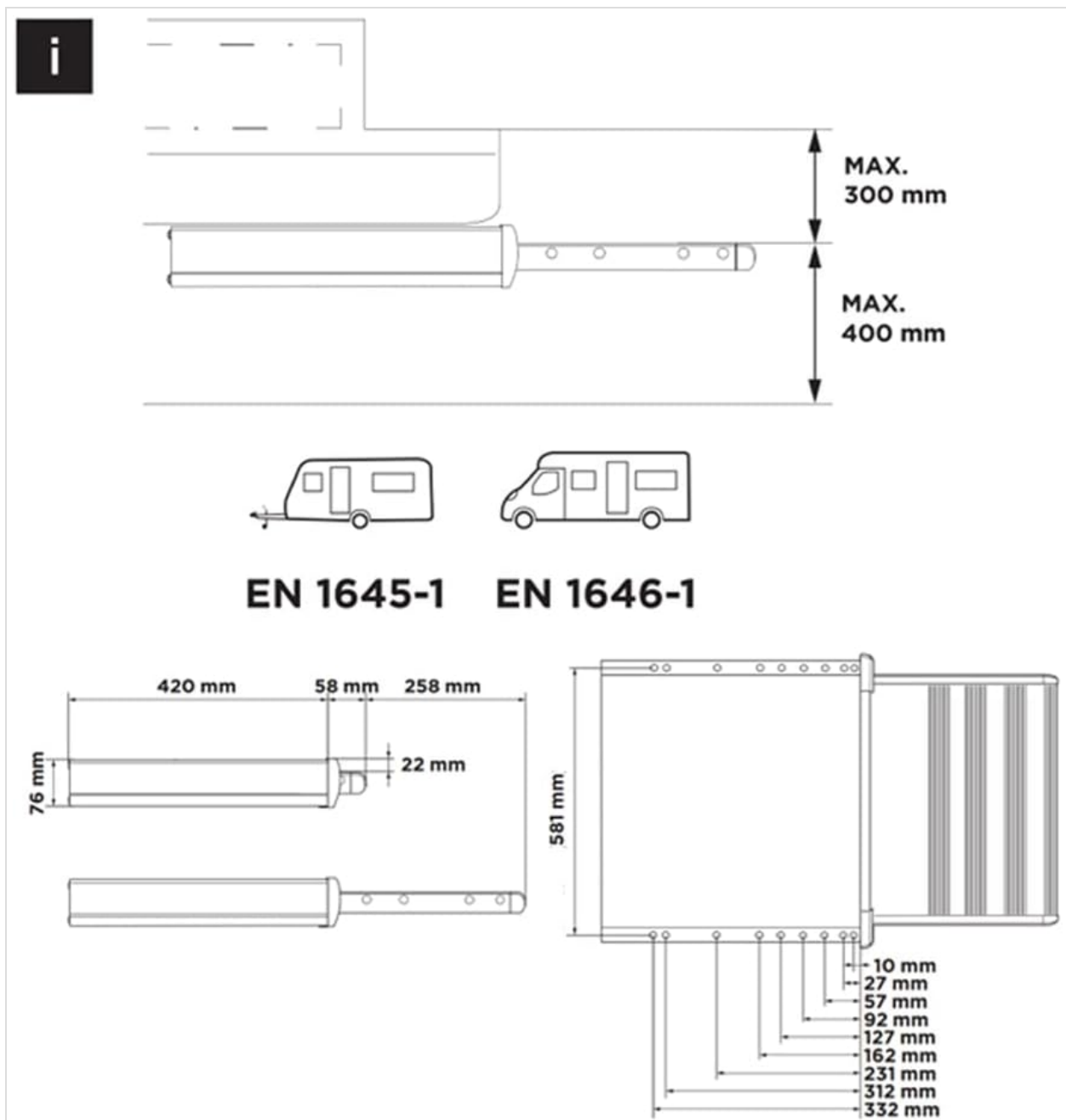


Figure 1: Detailed technical drawing showing the dimensions of the electric step.

## PACKAGE CONTENTS

Upon unpacking, please verify that all components listed below are present and undamaged:

- Thule Slide Out 12V G2 550 Electric Step unit

- Connection cable (2030 mm)
- Control switch with anthracite cover
- Fixing screws (M8 x 90 mm, DIN 933) x4
- Washers (M8, DIN 125) x8
- Self-locking nuts (M8, DIN 985) x4
- Illustrated assembly instructions (Italian language, but general diagrams are useful)

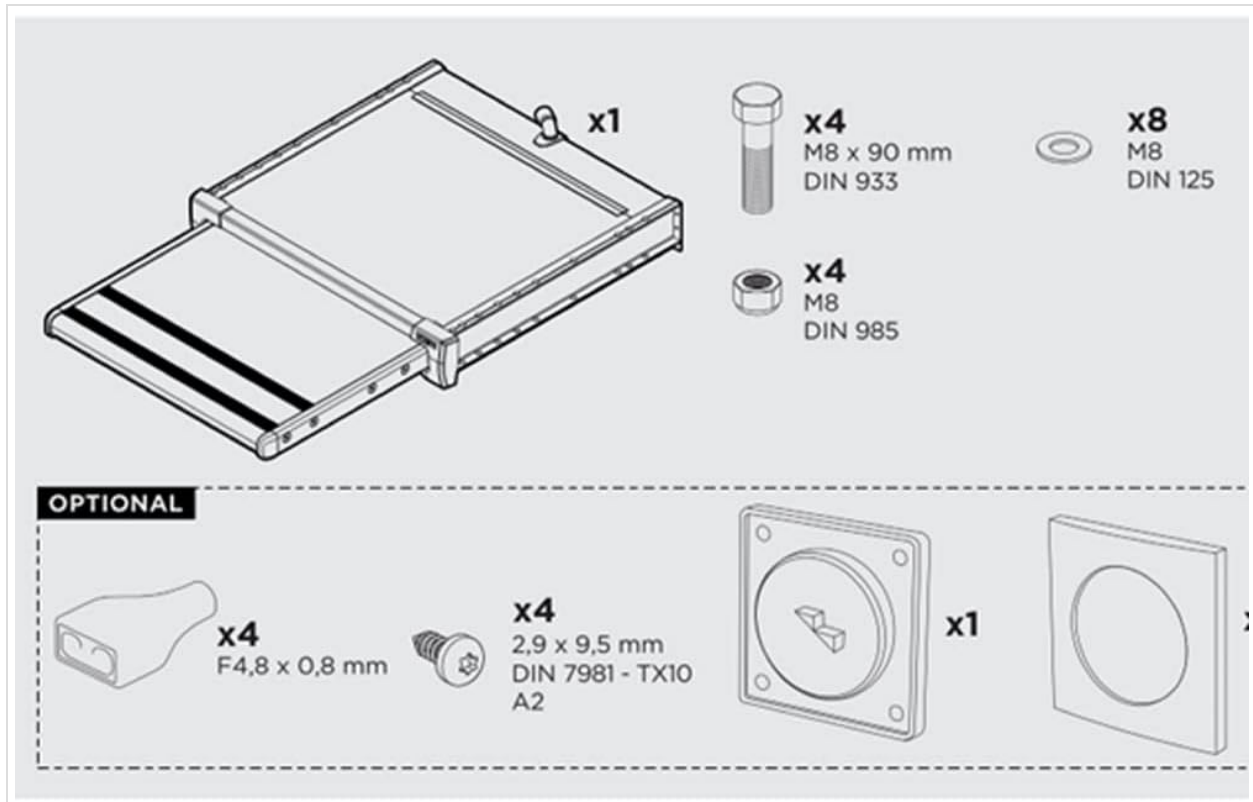


Figure 2: Overview of the electric step and its included mounting hardware.

## INSTALLATION

**Warning:** Installation of the Thule Slide Out 12V G2 550 Electric Step requires specialized knowledge and tools. It **must** be carried out by a qualified professional to ensure safety and correct functionality. Refer to the detailed illustrated assembly instructions provided in the package for specific steps.

### General Installation Guidelines (for specialist reference):

1. **Preparation:** Ensure the vehicle's power supply is disconnected before beginning installation. Identify a suitable mounting location on the vehicle chassis, considering clearance for extension and retraction.
2. **Mounting:** Use the provided fixing screws, washers, and self-locking nuts to securely attach the step to the vehicle. Ensure all connections are tight and stable. The step features lateral fixing holes at various distances for flexible mounting.
3. **Electrical Connection:** Connect the step's 12V power cable to the vehicle's electrical system according to the wiring diagram in the detailed instructions. Install the control switch in an easily accessible location within the vehicle.
4. **Testing:** After installation, reconnect the power supply and test the step's extension and retraction multiple times to ensure smooth operation and proper functionality. Verify the emergency release mechanism.



Figure 3: The electric step in its retracted position, showing the integrated wiring.



Figure 4: Underside view of the electric step, illustrating the casing and mounting points.

## OPERATION

---

The Thule Slide Out 12V G2 550 Electric Step is designed for simple and convenient operation.

1. **Extending the Step:** To extend the step, locate the control switch (with anthracite cover) inside your vehicle. Press and hold the switch for approximately 2-3 seconds. The step will smoothly slide out to its fully extended position.
2. **Retracting the Step:** To retract the step, press and hold the same control switch for approximately 2-3 seconds. The step will smoothly retract into its stored position.
3. **Safety Check:** Always ensure that the area around the step is clear of obstructions, people, or pets before extending or retracting it.



Figure 5: The electric step in its fully extended position, ready for use.

## MAINTENANCE

---

Regular maintenance ensures the longevity and reliable operation of your electric step.

- **Cleaning:** Clean the step regularly with mild soap and water. Avoid abrasive cleaners or solvents that could damage the anodized aluminum or rubber inserts.
- **Inspection:** Periodically inspect the step for any signs of wear, damage, or loose fasteners. Check the anti-slip rubber inserts for integrity.
- **Lubrication:** Consult your installation specialist or Thule's official guidelines for recommended lubrication points and frequency, if applicable.
- **Electrical Connections:** Ensure all electrical connections remain secure and free from corrosion.

## TROUBLESHOOTING

---

If you encounter issues with your electric step, consider the following common troubleshooting steps. For complex problems, always contact a qualified specialist.

- **Step Does Not Extend/Retract:**
  - Check the vehicle's 12V power supply. Ensure the battery is charged and connections are secure.
  - Verify the control switch is functioning correctly.
  - Inspect the wiring for any visible damage or loose connections.
  - Ensure no obstructions are blocking the step's movement.
- **Emergency Release:** In case of a complete power failure, use the emergency release mechanism to manually retract or extend the step. Refer to the detailed installation instructions for specific guidance on using this feature.

- **Unusual Noises:** If the step makes unusual noises during operation, stop use immediately and have it inspected by a specialist.

## WARRANTY AND SUPPORT

---

For warranty information, technical support, or service inquiries, please refer to the documentation provided with your purchase or contact your authorized Thule dealer or the seller directly. Keep your proof of purchase for warranty claims.