

Manuals+

[Q & A](#) | [Deep Search](#) | [Upload](#)

Manuals.plus /

› [WFL GROUP](#) /

› WFL GROUP Round Extendable Dining Table (Model 32925540) Instruction Manual

WFL GROUP 32925540

WFL GROUP Round Extendable Dining Table Instruction Manual

Model: 32925540 (Lefkas Oak, 100/180 cm)

INTRODUCTION

Thank you for choosing the WFL GROUP Round Extendable Dining Table. This manual provides essential information for the safe assembly, operation, and maintenance of your new table. Please read these instructions thoroughly before beginning assembly and retain them for future reference.

IMPORTANT SAFETY INFORMATION

Attention: Please read the assembly instructions carefully before assembling the table. Ensure that the table is placed on a stable surface and is not overloaded to minimize the risk of injury or damage.

- Always assemble the table on a soft, clean surface to prevent scratches.
- Ensure all screws and fasteners are securely tightened before use.
- Do not stand or sit on the table.
- Keep small parts away from children during assembly.
- Maximum weight recommendation: 60 Kilograms. Do not exceed this limit.

PRODUCT OVERVIEW

The WFL GROUP Round Extendable Dining Table combines modern design with practical functionality, making it suitable for various living spaces. Its robust construction and extendable feature offer versatility for everyday use and entertaining guests.

Key Features:

- **Modern and Practical Design:** Integrates seamlessly into industrial and minimalist interiors.
- **Extendable Functionality:** Easily accommodates additional guests, ideal for parties or family gatherings.

- **Robust and Durable:** High-quality laminated tabletop resistant to discoloration, shocks, and mechanical damage.
- **Solid Construction:** Elegant metal legs provide stability and a modern aesthetic.
- **EU Manufactured:** Produced according to strict European standards with controlled material sourcing.

SETUP AND ASSEMBLY INSTRUCTIONS

Assembly requires two people and basic tools (screwdriver, possibly a drill for pilot holes). Follow these steps carefully:

1. **Unpack Components:** Carefully unpack all parts and hardware from the packaging. Place them on a soft, clean surface to prevent damage. Verify all components are present against the parts list (not provided in this manual, refer to your packaging).

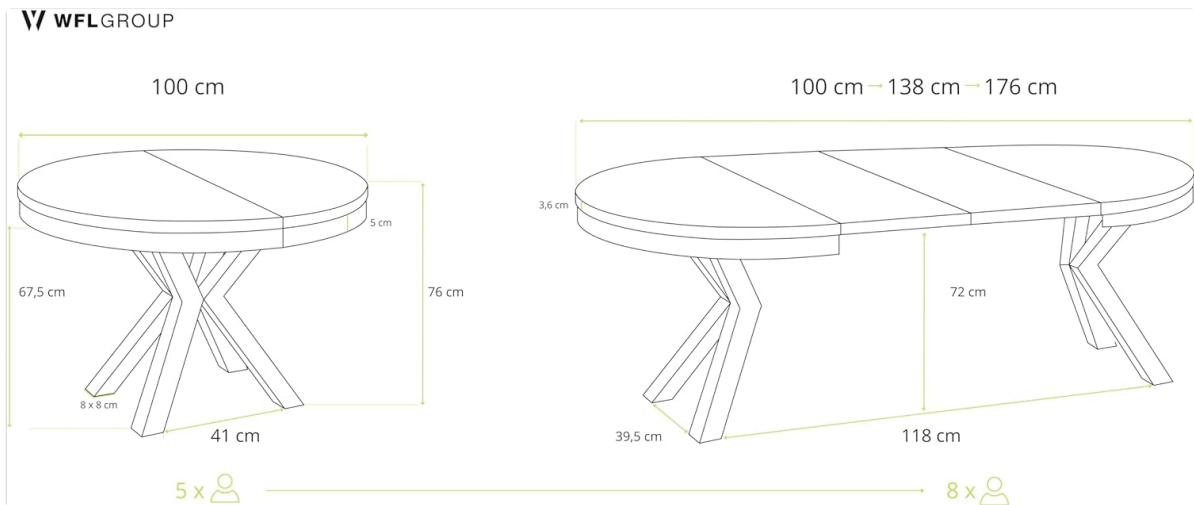


Image: Disassembled table components, including the tabletop and metal legs, ready for assembly.

2. **Assemble Table Legs:** Connect the metal leg pieces to form the base structure. Ensure all connections are firm. Some users have reported that pre-drilling pilot holes might be necessary for easier screw insertion, especially if the wood is dense. Use appropriate drill bit size to avoid splitting the wood.
3. **Attach Tabletop to Base:** Carefully align the tabletop with the assembled leg base. Secure the tabletop to the base using the provided screws. Ensure even alignment before fully tightening all screws.
4. **Final Tightening:** Once all parts are in place, gently tighten all screws and bolts. Do not overtighten to avoid damaging the material.
5. **Positioning:** Place the assembled table on a stable, level surface. Ensure it does not wobble. Adjust leg levelers if present.



Image: The fully assembled WFL GROUP Round Extendable Dining Table in a dining room.

OPERATING INSTRUCTIONS: EXTENDING THE TABLE

This table features an extendable mechanism to increase its seating capacity. Follow these steps to extend or retract the table:

1. **Prepare for Extension:** Clear any items from the tabletop. Gently pull the two halves of the tabletop apart. The mechanism should slide smoothly.



Image: The dining table in its compact, round configuration (100 cm diameter).

- 2. Insert Extension Leaf:** Once the tabletop halves are separated, locate the extension leaf (or leaves). Carefully place the extension leaf into the gap created. Ensure it sits flush and securely.
- 3. Close Tabletop:** Push the two main tabletop halves back together until they meet the extension leaf and lock into place. Ensure there are no gaps and the surface is even.



Image: The dining table in its extended, oval configuration (180 cm length).

- 4. Retracting the Table:** To retract, reverse the process: separate the tabletop halves, remove the extension leaf, and push the main halves back together.

Note: The extension leaves are typically stored separately and cannot be stored within the table structure

itself.

MAINTENANCE

Proper care will ensure the longevity and appearance of your WFL GROUP dining table.

- **Cleaning:** Wipe the table surface with a soft, damp cloth. For stubborn marks, use a mild, non-abrasive cleaner. Avoid harsh chemicals or abrasive materials that could damage the laminated finish.
- **Spills:** Clean up spills immediately to prevent staining or damage to the tabletop.
- **Heat and Moisture:** Use placemats or coasters to protect the surface from hot dishes and moisture.
- **Sunlight:** Avoid prolonged exposure to direct sunlight to prevent fading or discoloration of the wood finish.
- **Legs:** Periodically check and tighten all screws on the metal legs to maintain stability. Clean metal parts with a dry or slightly damp cloth.

TROUBLESHOOTING

If you encounter any issues with your dining table, consider the following common solutions:

- **Table Wobbles:**
 - Ensure the table is on a level surface.
 - Check all assembly screws and bolts for tightness. Tighten any loose fasteners.
 - If present, adjust the leg levelers on the bottom of the feet.
- **Extension Mechanism Sticks:**
 - Ensure the track is clean and free of debris.
 - Apply a small amount of silicone-based lubricant to the sliding mechanism if it feels stiff.
 - Do not force the mechanism; ensure the tabletop halves are properly aligned.
- **Parts Don't Align During Assembly:**
 - Double-check that you are using the correct parts for each step as per the assembly diagram (if provided with packaging).
 - Ensure all components are oriented correctly.
 - If screw holes do not align perfectly, gently re-align the pieces. In some cases, carefully pre-drilling pilot holes can assist with screw insertion.

SPECIFICATIONS

Brand	WFL GROUP
Model Number	32925540
Color	Lefkas Oak
Material	Engineered Wood (Laminated Finish)
Table Design	Dining Table (Round, Extendable)
Style	Scandinavian / Industrial Loft
Product Dimensions (Compact)	100 cm (Diameter) x 76 cm (Height)
Product Dimensions (Extended)	180 cm (Length) x 100 cm (Width) x 76 cm (Height)
Item Weight	75 Kilograms
Maximum Weight Recommendation	60 Kilograms
Seating Capacity	Up to 8 (when extended)
Care Instructions	Wipe with a damp cloth



Image: Technical drawing illustrating the dimensions of the table in both its round (100 cm) and extended (176 cm) forms, showing seating capacity for 5 and 8 people respectively.

CUSTOMER SUPPORT

For any questions, missing parts, or assistance with assembly or operation, please contact WFL GROUP customer support through your purchase platform or the official brand website. Please have your model number (32925540) and purchase details ready.

You can find more information about WFL GROUP products and support at: [WFL GROUP Official Page](#)