

## Auxbeam XP-Ultra Series

# Auxbeam XP-Ultra Series 3-Inch 96W Dual Color LED Pods Instruction Manual

Model: XP-Ultra Series (ZD000713-VE)

## 1. INTRODUCTION

---

This manual provides detailed instructions for the installation, operation, and maintenance of your Auxbeam XP-Ultra Series 3-Inch 96W Dual Color LED Pods. These high-performance off-road lights feature innovative 6-mode functionality, combining white driving light, amber fog light, and various strobe options for enhanced visibility and safety.

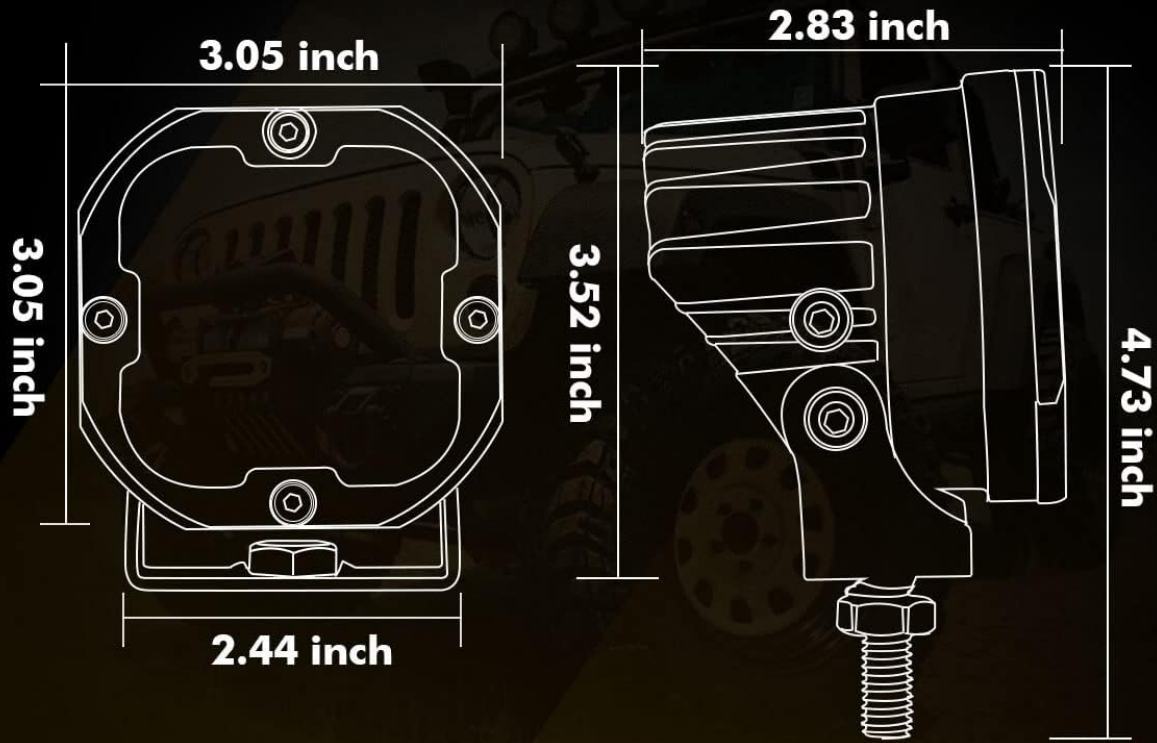
## 2. WHAT'S IN THE BOX

---

- 2x LED Off-Road Light Pods
- 1x DT Wiring Harness-2 Lead
- 1x Mounting Kit (includes wrenches & screws)
- 1x User Guide
- 1x Auxbeam Sticker

# PRODUCT DIMENSION

Perfectly Compatible, Just Plug & Play



## WHAT YOU GET:

- 2 x 6 Modes LED Pods
- 1 x DT Wiring Harness Kit
- 1 x User Guide for Installation
- 2 x Mounting Accessories
- 2 - Year Limited Warranty

Figure 2.1: Package Contents and Product Dimensions. This image illustrates the items included in the box and provides a dimensional diagram of the LED pods.

## 3. SPECIFICATIONS

Feature	Detail
Model	XP-Ultra Series (ZD000713-VE)

Power	96 Watts (per pair)
Brightness	9600 Lumens (per pair)
Voltage	12 Volts (DC 9-32V compatible)
Light Source Type	LED (16pcs 3535-SMD LED chips)
Color Temperature	6000K White, 3500K Amber
Beam Pattern	Spot Flood Combo
Material	6063 and ADC12 Aluminum Housing, Polycarbonate (PC) Lens
Waterproof Rating	IP68
Lifespan	50,000+ Hours
Product Dimensions	3.52"L x 3.05"W x 4.73"H
Item Weight	3.67 pounds (per pair)

## 4. SETUP AND INSTALLATION

---

### 4.1 Mounting the LED Pods

Attach the LED pods to your vehicle using the provided mounting brackets and hardware. The brackets allow for 90-degree angle adjustment to direct the light as needed. Ensure all screws are tightened securely for stable positioning.

# EFFICIENT HEAT DISSIPATION

Cooling Fin & High-quality Aluminum Alloy Structure  
Can Release The Heat Outside Quickly

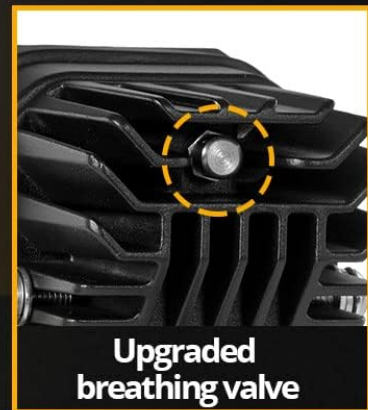


Figure 4.1: Heat Dissipation and Adjustable Mounting. The image highlights the cooling fins for efficient heat dissipation and the 90-degree adjustable bracket for flexible installation.

## 4.2 Wiring Instructions

The LED pods come with a DT wiring harness for a plug-and-play installation. Follow these steps for proper connection:

1. **Black Line:** Connect the black wire from the light to the negative terminal of your car's battery.
2. **Red Line:** Connect the red wire from the light to the positive terminal of your car's battery.
3. **Yellow Line:** This is the special line for lighting mode control. Connect it to the mode positive of your car's system.

The DT connectors ensure a secure and waterproof connection between the LED pods and the wiring harness.

Your browser does not support the video tag.

Video 4.2: Wiring and Mode Switching Demonstration. This video illustrates the wiring connections and how to switch between the 6 lighting modes using the control button.

## 5. OPERATING INSTRUCTIONS

---

Your Auxbeam XP-Ultra LED Pods feature an innovative 6-mode multi-functionality controlled by a dedicated switch. The modes include various combinations of white and amber light, as well as flashing and strobe patterns.

### 5.1 Switching Lighting Modes

Press the switch control button to cycle through the following 6 lighting modes:

1. White Driving Light (6000K)
2. Amber Fog Light (3500K)
3. Mixed Amber & White Light
4. White Flashing Light
5. Amber Flashing Light
6. White & Amber Strobe Light (SOS Warning)

# 6 LIGHTING MODES

Switch Driving Modes Anytime, Anywhere



**Power-off Memory Function:**  
Auto restores the state of the last lighting mode

**Reset Mode:**  
Hold the button for 3 seconds  
quick to fix out of sync issues

Figure 5.1: Six Lighting Modes. This image displays each of the six available lighting modes and the control switch interface.

## 5.2 Power-off Memory Function

The lights are equipped with a power-off memory function. When the lights are turned OFF, they will automatically restore to the last used lighting mode upon the next ON cycle.

## 5.3 Reset Mode

To reset the lights to the default white light mode or to fix any synchronization issues, press and hold the mode button for 3 seconds.

Your browser does not support the video tag.

Video 5.2: Demonstration of 6 Lighting Modes and Memory Function. This video showcases the various lighting modes and

the memory function that retains the last setting.

Your browser does not support the video tag.

Video 5.3: Detailed Look at 6 Lighting Modes. This video provides a closer view of each of the six lighting modes, including white, amber, and strobe functions.

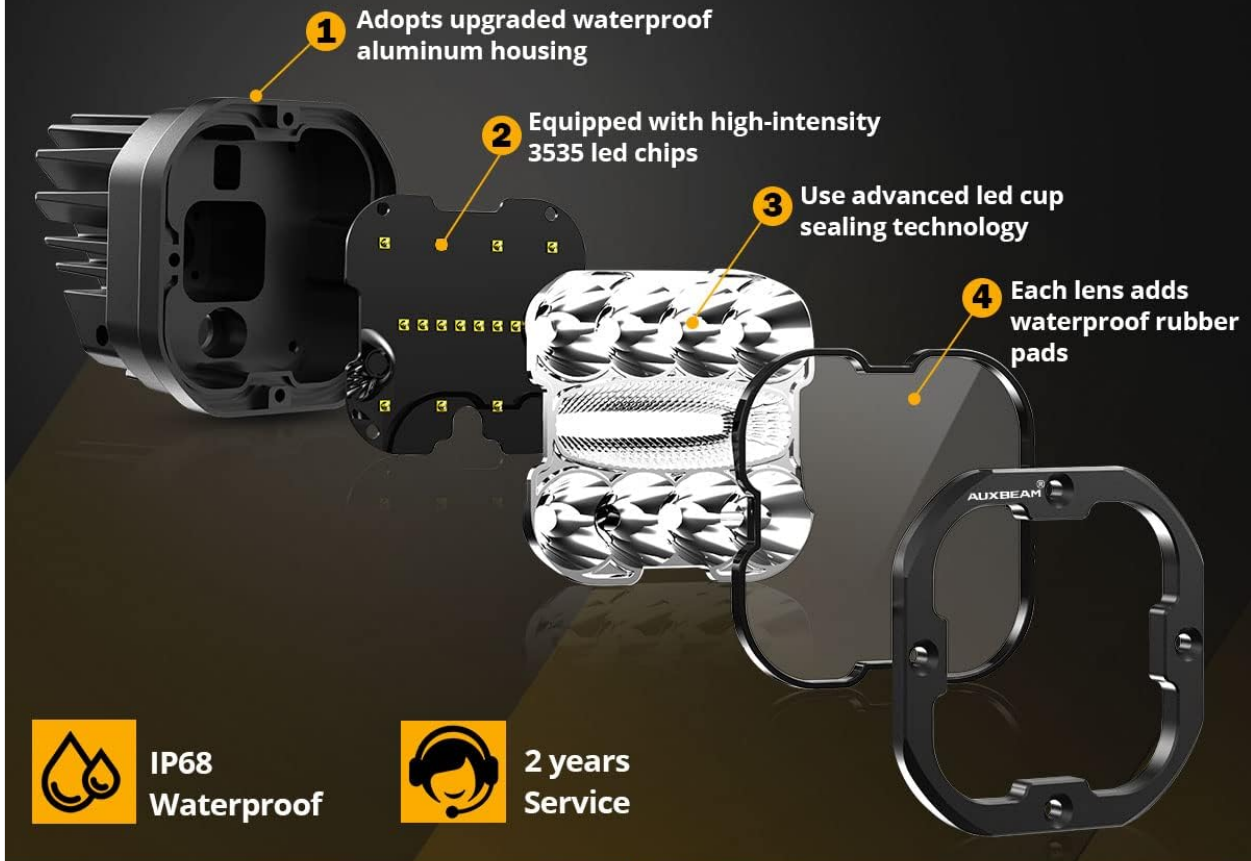
## 6. MAINTENANCE

---

### 6.1 Waterproof Performance

The LED pods feature an IP68 triple waterproof solution, ensuring full protection against dust, moisture, shock, rust, and corrosion. This robust design allows the lights to perform reliably in various weather conditions, including rain and snow.

# EXCELLENT WATERPROOF PERFORMANCE



**AUXBEAM®**

**OTHERS**



Figure 6.1: Excellent Waterproof Performance. This image details the multi-layer waterproofing design, including upgraded housing and sealed components.

## 6.2 Heat Dissipation

Equipped with superior 6063 and ADC12 aluminum housing and cooling fins, the LED pods effectively dissipate heat, maintaining a safe operating temperature and ensuring stable lighting output and durability over their 50,000+ hour lifespan. An upgraded breather valve further aids in managing internal pressure and moisture.

# EFFICIENT HEAT DISSIPATION

Cooling Fin & High-quality Aluminum Alloy Structure  
Can Release The Heat Outside Quickly

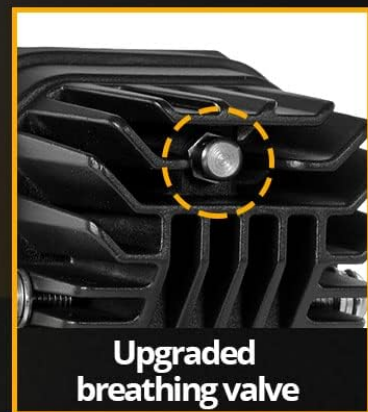


Figure 6.2: Efficient Heat Dissipation. The image illustrates the airflow through the cooling fins and the location of the upgraded breather valve.

## 7. TROUBLESHOOTING

### 7.1 Light Mode Synchronization Issues

If the lighting modes become unsynchronized between the two pods or if you wish to return to the default white light mode, press and hold the mode button on the control switch for 3 seconds. This will reset the lights and

re-synchronize their operation.

## 7.2 Flickering Lights

If you experience flickering lights, ensure all wiring connections are secure and free from corrosion. Check the power source voltage to ensure it is within the recommended 9-32V range. If the issue persists, contact customer support.

## 8. WARRANTY AND SUPPORT

---

Auxbeam guarantees a 24-month warranty for these LED pods. For any assistance, technical support, or warranty claims, please contact the professional Auxbeam customer service team. They are available to provide friendly customer service within 24 hours.

Contact information can typically be found on the official Auxbeam website or through your purchase platform.