



Manuals.plus /

› EaseLife /

› EaseLife 52" Bifold Sliding Barn Door Hardware Track Kit Instruction Manual

EaseLife 0109_132_2

EaseLife 52" Bifold Sliding Barn Door Hardware Track Kit Instruction Manual

Model: 52" for 2 Door (Hardware only)

Brand: EaseLife

1. INTRODUCTION

This manual provides detailed instructions for the installation, operation, and maintenance of your EaseLife 52" Bifold Sliding Barn Door Hardware Track Kit. This kit is designed to convert standard bifold doors into a top-mounted sliding barn door system, optimizing space and providing smooth, quiet operation.

Key Features:

- **Space-Saving Design:** The folding door panel configuration minimizes space usage when opened, suitable for compact areas.
- **Smooth and Quiet Operation:** Constructed from steel with a powder-coated finish, featuring high-precision bearing rollers for reliable and silent movement.
- **Durable Construction:** Designed for longevity and resistance to corrosion.

Important Reminders:

- This hardware kit is designed for double 24" wide bifold doors with a thickness of 1" to 1-3/4" and a maximum weight capacity of 180 lbs.
- The required track length is the door opening plus 4" (100mm).
- A minimum ceiling clearance of 5-3/8" is required above the door opening.
- **DOOR PANELS ARE NOT INCLUDED** with this hardware kit.

2. PACKAGE CONTENTS

Before beginning installation, please verify that all components listed below are present and undamaged.

Package List

 Door not included, hardware only



Figure 1: Complete Hardware Kit Components

- 1 x 52" Rail
- 2 x Rollers
- 2 x Roller Rotating Base
- 1 x Roller Fixator
- 4 x Rail Support
- 3 x Hinges
- 1 x Floor Guide
- 1 x Sealing Strip
- Mounting Hardware (screws, anchors, etc.)

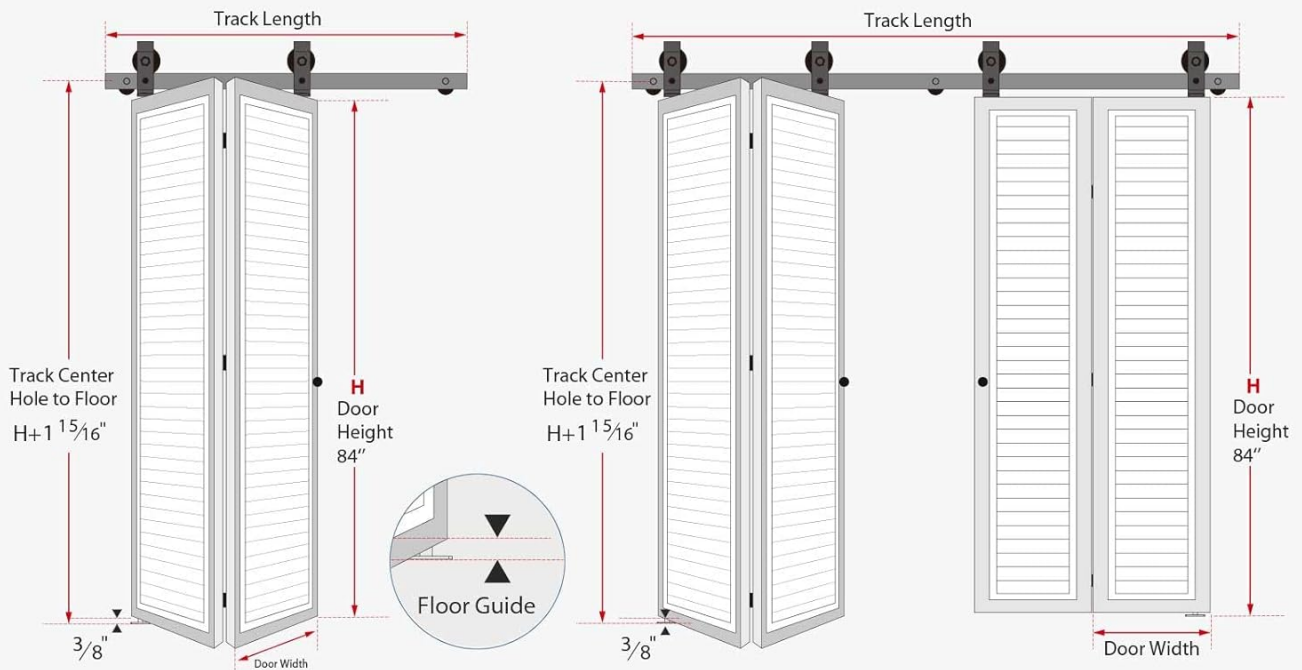
3. INSTALLATION INSTRUCTIONS

Careful measurement and proper installation are crucial for the optimal performance of your bifold barn door hardware. It is recommended to have two people for installation.

Measurement Tips:

Measurement Tips

Note: Door not included !



Hardware for 2 doors			Hardware for 4 doors		
Size Choice	Track Length	Per Door Leaf Width	Size Choice	Track Length	Per Door Leaf Width
28" for 2 Doors	28"/2.3ft	12"	52" for 4 Doors	52"/4.3ft	12"
34" for 2 Doors	34"/2.8ft	15"	58" for 4 Doors	58"/4.8ft	13.5"
36" for 2 Doors	36"/3ft	16"	64" for 4 Doors	64"/5.3ft	15"
40" for 2 Doors	40"/3.3ft	18"	70" for 4 Doors	70"/5.8ft	16.5"
46" for 2 Doors	46"/3.5ft	21"	76" for 4 Doors	76"/6.3ft	18"
52" for 2 Doors	52"/4.3ft	24"	88" for 4 Doors	88"/7.3ft	21"
			100" for 4 Doors	100"/8.3ft	24"

Hardware for 2/4 doors	Fit Door Thickness	Clearance Need
	1" ~ 1-3/4"	5-3/8"

Figure 2: Detailed Measurement Guidelines

Refer to Figure 2 for detailed measurement guidelines. Ensure your door opening width, door height, and required ceiling clearance meet the specifications for the 52" track kit.

Installation Video Guide:

Your browser does not support the video tag.

Video 1: Step-by-step installation guide for the bifold sliding barn door hardware.

Step-by-Step Installation:

- Drill Holes for Spacers:** Mark and drill pilot holes for the rail spacers above your door frame. If your studs do not align with the pre-drilled holes, consider using a headboard (not included) for proper mounting.
- Install Track:** Secure the 52" rail to the wall using the rail supports and appropriate fasteners. Ensure the track is level.

3. **Install Pulley Base:** Attach the roller rotating bases to the top of your bifold door panels.
4. **Install Hinges:** Connect the bifold door panels using the provided hinges. Ensure they are securely fastened and allow for smooth folding.
5. **Install Pulleys:** Mount the rollers onto the door panels and attach them to the track. If the height of the two doors is uneven, adjust the height of the movable pulley using the provided tools to align them.
6. **Install Floor Guide:** Secure the floor guide to the floor directly below the center of the door opening. This guide prevents the door from swinging out.



Figure 3: Key Hardware Components Installed

4. OPERATING INSTRUCTIONS

Once installed, your bifold sliding barn door system is designed for simple and efficient operation.



Figure 4: Bifold Door in an open position

- To open the door, gently push or pull the door panels along the track. The bifold design allows the panels to fold inward, maximizing the opening space.
- To close the door, guide the panels back along the track until they meet and fully cover the opening.
- The high-precision rollers ensure a smooth and quiet glide during operation.



Figure 5: Smooth and quiet operation

5. MAINTENANCE

Regular maintenance helps ensure the longevity and smooth operation of your hardware kit.

- **Cleaning:** Periodically wipe down the track and rollers with a soft, damp cloth to remove dust and debris. Avoid abrasive cleaners.
- **Lubrication:** Apply a silicone-based lubricant to the roller bearings and track surface every 6-12 months to maintain smooth gliding.
- **Fastener Check:** Annually inspect all mounting screws and fasteners to ensure they are tight. Re-tighten if necessary to prevent sagging or instability.

6. TROUBLESHOOTING

If you encounter issues with your bifold sliding barn door hardware, refer to the common problems and solutions below.

Problem	Possible Cause	Solution
Door does not slide smoothly or is noisy.	Dust/debris on track, lack of lubrication, loose rollers.	Clean the track, apply lubricant to rollers, check and tighten roller fasteners.
Door panels are uneven.	Rollers not adjusted correctly.	Adjust the height of the movable pulley as shown in the installation video (Step 5).
Gap between door and wall/trim.	Standard characteristic of barn door systems.	This is common for barn door installations. Consider adding additional trim or a sealing strip if a tighter seal is desired.
Door feels loose or wobbly.	Loose track mounting, improper installation of floor guide.	Ensure the track is securely fastened to studs or a headboard. Verify the floor guide is properly installed and adjusted.

7. SPECIFICATIONS

Feature	Detail
Brand	EaseLife
Model Number	0109_132_2
Size	52" for 2 Door (Hardware only)
Color	Black
Material	Alloy Steel
Style	Modern
Assembly Required	Yes
Item Weight	7.88 pounds
Product Dimensions	134 x 11 x 8 inches (packaging)
Mounting Type	Wall Mount
Usage	Commercial/Residential
Fit Door Thickness	1" ~ 1-3/4"
Door Weight Capacity	180 lbs
Ceiling Clearance Needed	5-3/8"

8. WARRANTY AND SUPPORT

EaseLife is committed to providing quality products and customer satisfaction. If you have any questions, require assistance with installation, or encounter missing or defective parts, please contact EaseLife customer support.

EaseLife offers 24/7 assistance to ensure prompt solutions for any issues you may experience.

