



[Manuals.plus](#) /

> [PURPLE LEAF](#) /

> PURPLE LEAF 10' x 13' Aluminum Outdoor Pergola Instruction Manual (Model ZY05-BSPERGOLA)

## PURPLE LEAF ZY05-BSPERGOLA

# PURPLE LEAF 10' x 13' Aluminum Outdoor Pergola Instruction Manual

Model: ZY05-BSPERGOLA

## INTRODUCTION

Thank you for choosing the PURPLE LEAF 10' x 13' Aluminum Outdoor Pergola. This manual provides essential information for the safe assembly, operation, and maintenance of your new pergola. Please read these instructions carefully before beginning assembly and retain them for future reference.

This pergola features a durable aluminum frame, a retractable canopy for adjustable shade, and a sloped roof design to prevent water accumulation. It is designed to enhance your outdoor living space with both functionality and aesthetic appeal.

## SAFETY INFORMATION

**Important:** For increased stability and wind capacity, the pergola must be securely bolted to a solid foundation such as concrete or pavement. This anchoring is necessary to prevent potential hazards and ensure safe usage. Failure to properly anchor the pergola may result in damage or injury.

- Always follow all assembly instructions carefully.
- Ensure all bolts and fasteners are tightened securely before use.
- Do not use the pergola in extreme weather conditions, such as heavy winds or snow. Retract the canopy during strong winds.
- Keep children and pets away from the assembly area.
- Regularly inspect the pergola for any signs of wear or damage. Replace damaged parts immediately.

## PARTS LIST

Before beginning assembly, ensure all parts are present and undamaged. Refer to the included assembly guide for a detailed list of components and hardware.



*Image: Complete PURPLE LEAF 10' x 13' Aluminum Outdoor Pergola in Grey & Navy Blue.*

Your browser does not support the video tag.

*Video: Unboxing and overview of the components included with the PURPLE LEAF Pergola.*

## SETUP AND ASSEMBLY

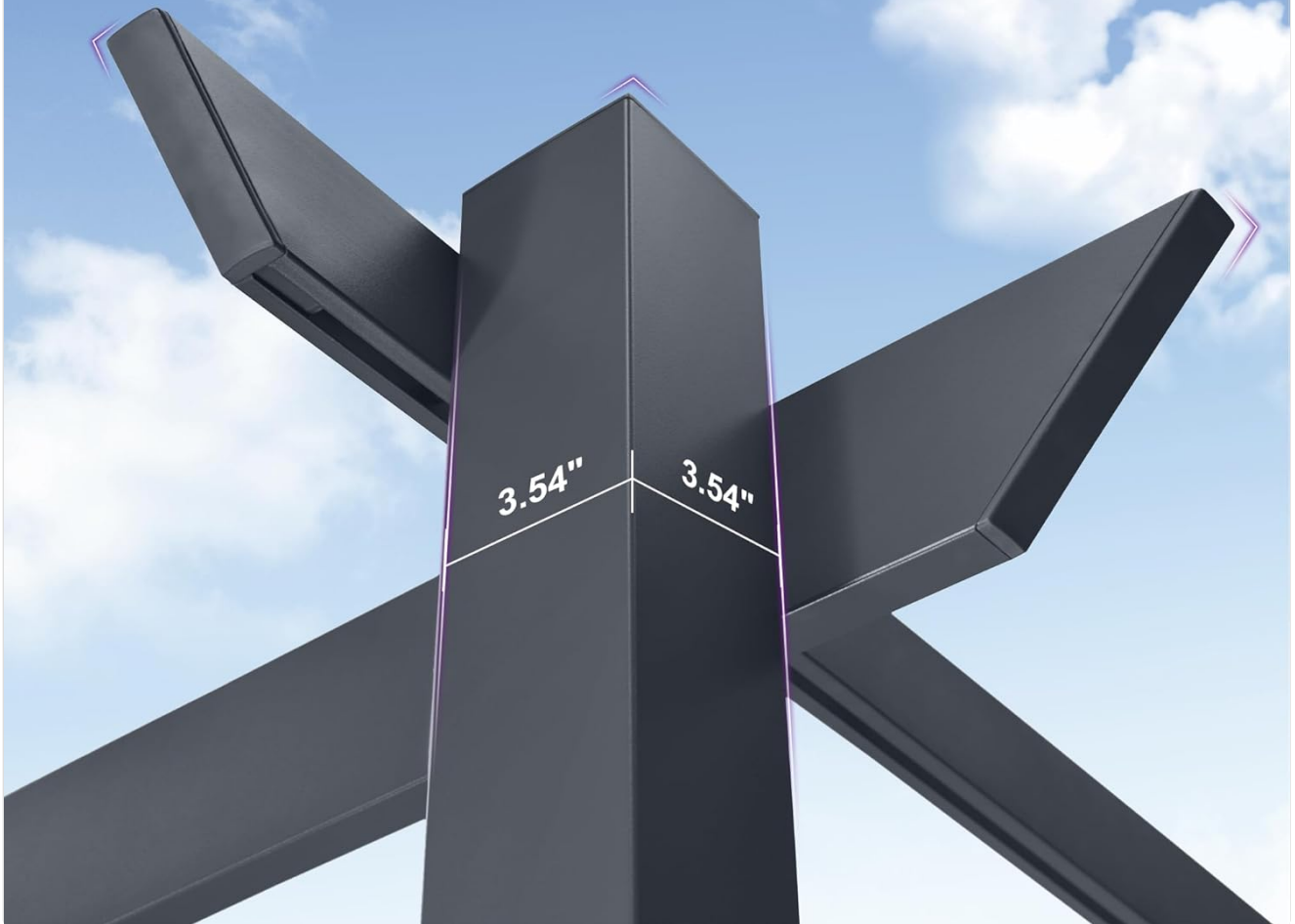
---

Assembly typically requires 2-3 people and a full set of tools is provided. No professional installation is required, but careful adherence to the instructions is crucial.

1. **Site Preparation:** Choose a flat, level surface for installation. For wooden deck installations, pre-drill holes for secure mounting.
2. **Frame Assembly:** Assemble the aluminum frame according to the detailed diagrams in the included manual. Ensure all posts and beams are correctly oriented and securely fastened.

# Heavy-Duty Aluminum Frames-Quality That Stands Tall

Sturdy Support, Wider Aluminum Poles for Enhanced Stability

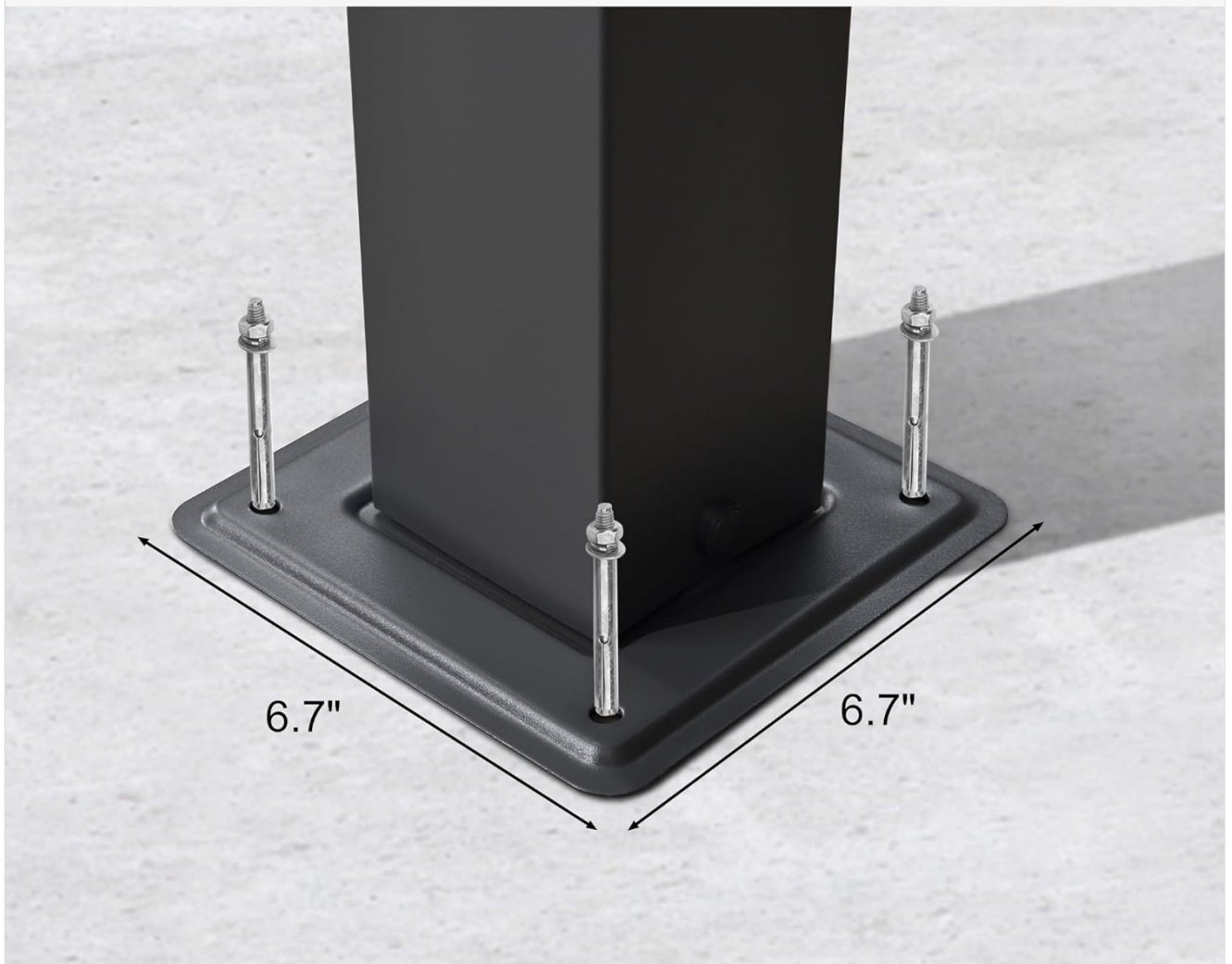


*Image: Close-up of the heavy-duty 3.55-inch rust-resistant aluminum posts, highlighting their robust construction.*

- 3. Anchoring:** Securely bolt the pergola's base plates to your chosen solid foundation using the provided hardware. The rectangular aluminum stand poles feature 4 pre-drilled holes for this purpose.

## Stable Anchoring Stand

Retangular aluminum stand pole with 4 pre-drilled holes designed



*Image: Detail of the stable anchoring stand with four pre-drilled holes for secure installation on a solid surface.*

- 4. Canopy Installation:** Attach the retractable canopy fabric to the frame. Ensure the canopy slides smoothly along its tracks.

# Retractable Canopy

Crafting Excellence in Every Detail



VS



Strong, stable and smooth sliding  
Sunshade Fixing Cord



Weak Connection  
No Retaining Cord

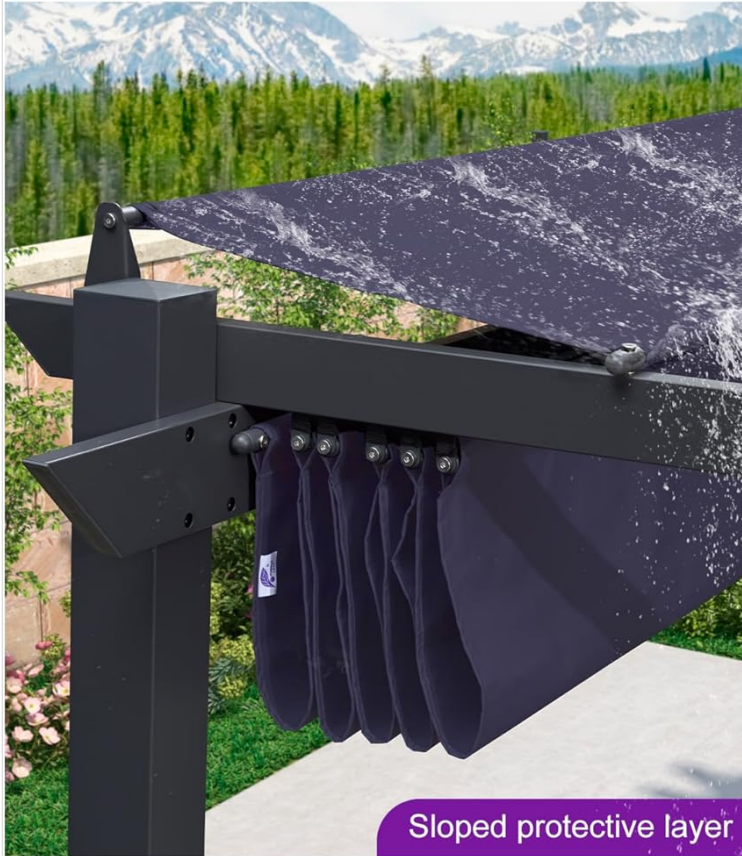
*Image: Close-up of the retractable canopy mechanism, showing the strong, stable, and smooth sliding sunshade fixing cords.*

- Protective Layer:** Position the sloped protective layer above the retractable canopy. This layer is designed to protect the canopy from rain and UV rays when retracted, and to reduce water accumulation.

# PURPLE LEAF

## Upgraded Sloped Protective Layer

This design effectively prevents water accumulation when folded, ensuring durability.

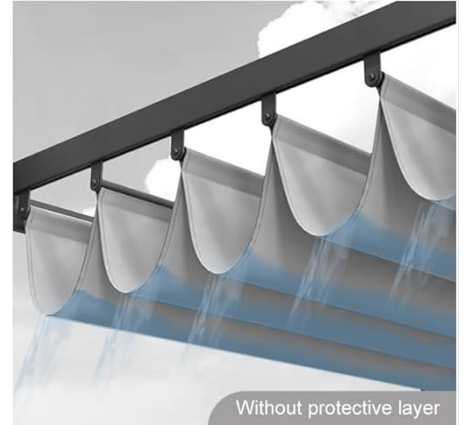


UV protection



Longer Life

## OTHER BRAND



VS



Prone to pooling and water damage

Image: Illustration of the upgraded sloped protective layer designed to prevent water accumulation and enhance durability.

## OPERATING INSTRUCTIONS

The retractable canopy allows for flexible control over sunlight and shade.

- **To Extend the Canopy:** Gently pull the canopy forward using the attached strap until it reaches the desired position.
- **To Retract the Canopy:** Push the canopy back towards the protective layer. The hook locking design helps secure the canopy when fully retracted, preventing it from sliding open unintentionally.

# Hook Locking Design

Secure the top with hook fasteners for more stability and less likely to slide open



*Image: Close-up of the hook locking design, which secures the retractable canopy for stability and prevents unintended sliding.*

- **Adjusting Shade:** The canopy can be fully extended for maximum shade and UV protection, or partially deployed to allow for some sunlight.

Your browser does not support the video tag.

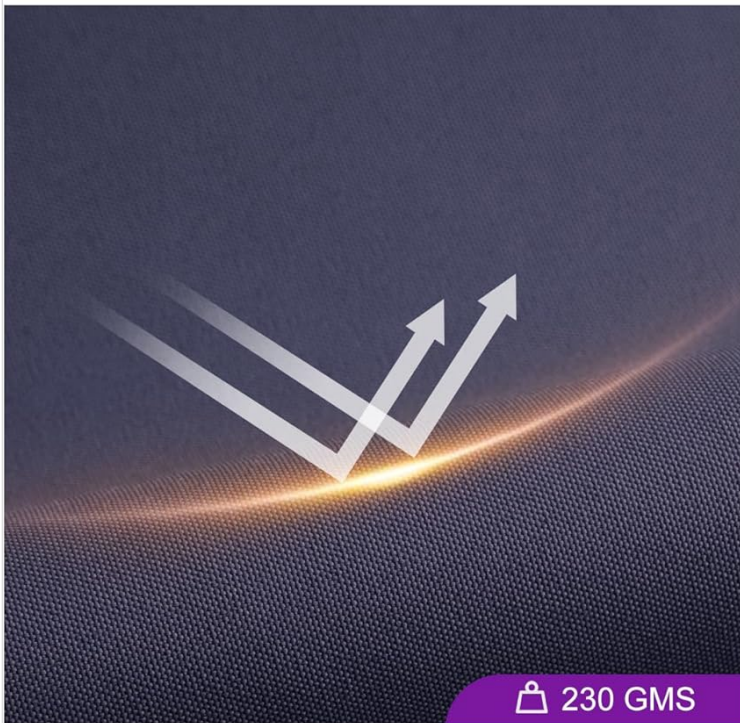
*Video: A customer demonstrating the ease of use and durability of the pergola, noting its performance during a hurricane.*

## MAINTENANCE

- **Cleaning the Frame:** Wipe the aluminum frame with a damp cloth and mild soap. Avoid abrasive cleaners.
- **Canopy Care:** The yarn-dyed fabric is UV-resistant and water-resistant. Clean the canopy with mild soap and water. Allow it to air dry completely before retracting for extended periods.

# PURPLE LEAF

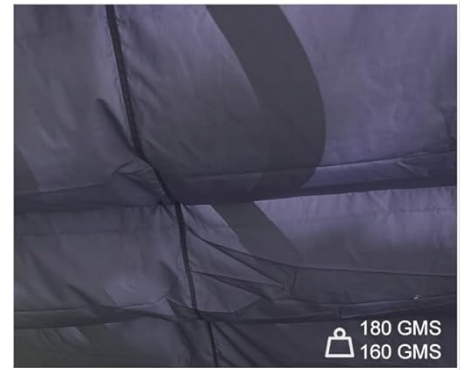
230g/m<sup>2</sup> Heavy Duty Yarn-dyed Fabric



- UPF 40+ Protects against 98% UV
- Wear-resistant and tear-resistant.
- Colorfast for 3 years



# OTHER BRAND



VS



- Lightweight Fabric
- Weak Sun Protection
- Prone to Wear



Image: Detail of the 230g/m<sup>2</sup> heavy-duty yarn-dyed fabric, highlighting its UPF 40+ UV protection, wear-resistance, and 3-year colorfastness.

- **Seasonal Storage:** In areas with heavy snow or prolonged freezing temperatures, it is recommended to remove the canopy fabric for storage to prolong its lifespan.
- **Hardware Check:** Periodically check all bolts and fasteners to ensure they remain tight.

## TROUBLESHOOTING

Problem	Possible Cause	Solution
Canopy does not retract/extend smoothly.	Obstruction in the tracks; dirty tracks; misaligned canopy.	Check for debris in the tracks and clear any obstructions. Clean the tracks. Ensure the canopy is properly aligned on its runners.
Water pooling on the canopy.	Canopy not fully extended or protective layer not correctly positioned.	Ensure the canopy is fully extended and taut. Verify the sloped protective layer is correctly installed above the retracted canopy to direct water away.
Pergola feels unstable.	Loose anchoring bolts; improper installation.	Check and tighten all anchoring bolts. Re-verify installation steps, especially anchoring to a solid foundation.

If you encounter issues not listed here, please contact PURPLE LEAF customer service for assistance.

## SPECIFICATIONS

**Brand:** PURPLE LEAF

**Model Number:** ZY05-BSPERGOLA

**Product Dimensions:** 134.7"L x 90.5"W x 96.4"H (10' x 13')

**Material:** Aluminum, Metal (Frame: Aluminum)

**Color:** Grey & Navy Blue

**Frame Post Thickness:** 3.55 inches

**Water Resistance Level:** Water Resistant

**Ultraviolet Light Protection:** Yes (UPF 40+ fabric)

**Assembly Required:** Yes

**Floor Area:** 130 Square Feet

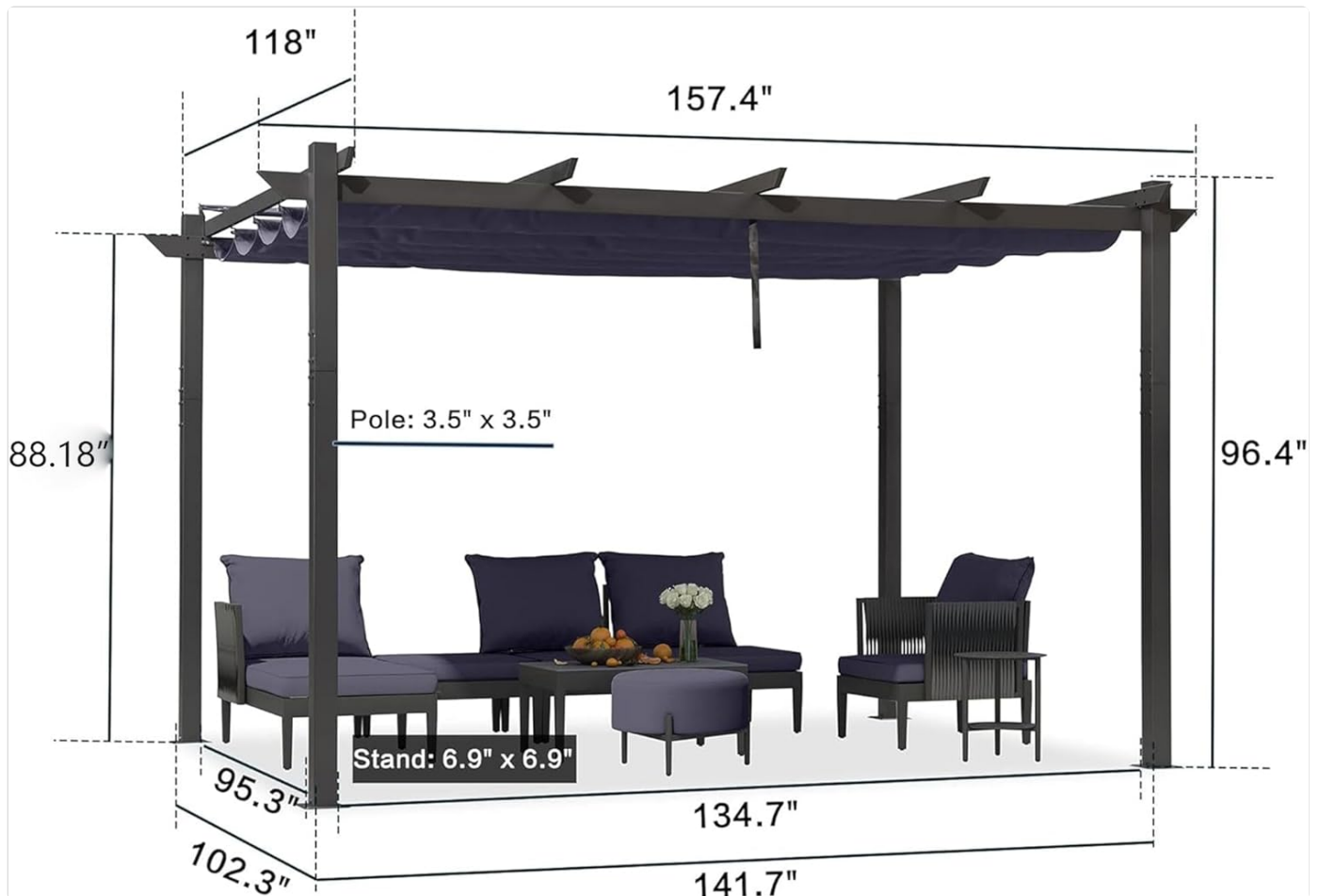


Image: Detailed diagram showing the dimensions of the PURPLE LEAF 10' x 13' Aluminum Outdoor Pergola.

## WARRANTY AND SUPPORT

PURPLE LEAF offers customer service for any missing parts or product issues. Please feel free to contact us if you have any questions or require assistance.

For support, please refer to the contact information provided with your purchase or visit the official PURPLE LEAF website.



© 2024 PURPLE LEAF. All rights reserved.