

Kentsky 3e8e9f81-36df-4434-9ddb-d15a2e32ee5a

Kentsky 48-inch Electric Fireplace Inserts Instruction Manual

Brand: Kentsky | Model: 3e8e9f81-36df-4434-9ddb-d15a2e32ee5a

1. IMPORTANT SAFETY INFORMATION

Please read and understand this entire owner's manual, including all safety information, before plugging in or using this product. Failure to do so could result in fire, electric shock, or serious personal injury.

- This electric fireplace is equipped with overheating protection that will automatically shut off the unit if it reaches an unsafe temperature (212°F).
- Maintain a minimum clearance of 8 inches (20 cm) between the fireplace and any television or other heat-sensitive objects.
- Ensure the power outlet is properly grounded and rated for the fireplace's power requirements (750W/1500W).
- Do not operate the fireplace with a damaged cord or plug, or if the heater malfunctions or has been dropped or damaged in any manner.
- Keep combustible materials, such as furniture, pillows, bedding, papers, clothes, and curtains at least 3 feet (0.9 m) from the front of the fireplace.
- Never leave children unattended near the fireplace.

2. PRODUCT OVERVIEW

The Kentsky 48-inch Electric Fireplace Insert offers a modern and efficient heating solution with versatile installation options. It features realistic flame effects, adjustable heat settings, and convenient control methods to enhance the ambiance and comfort of your living space.

Key Features:

- **Dual Installation:** Designed for both recessed and wall-mounted applications.

- **Adjustable Heat:** Two heat settings (750W/1500W) with a thermostat ranging from 62°F to 99°F.
- **Multicolor Flames:** 13 flame colors and 13 LED fuel bed colors for customizable ambiance.
- **Control Options:** Touch screen panel, remote control, and app control (for WiFi models).
- **Timer Function:** 1-9 hour timer setting for automatic shut-off.
- **Safety:** Equipped with overheat protection.



Image: The Kentsky 48-inch Electric Fireplace seamlessly integrated into a contemporary living room setting, showcasing its aesthetic appeal and functional design.

3. PACKAGE CONTENTS

Verify that all components are present before beginning installation:

- Kentsky 48-inch Electric Fireplace Insert
- Remote Control (2 AAA batteries included)
- Log Set

- Crystal Embers
- Mounting Brackets (for wall-mounted installation)
- Instruction Manual

4. INSTALLATION

The Kentsky electric fireplace offers flexible installation options: recessed into a wall or wall-mounted. Choose the method that best suits your space and aesthetic preferences.

Installation Options:

- **Recessed Installation:** For a flush, built-in look, the fireplace can be inserted directly into a wall opening. Ensure the opening dimensions meet the product specifications.
- **Wall-Mounted Installation:** Use the provided mounting brackets to hang the fireplace directly on a wall. This option is ideal for spaces where recessing is not feasible.

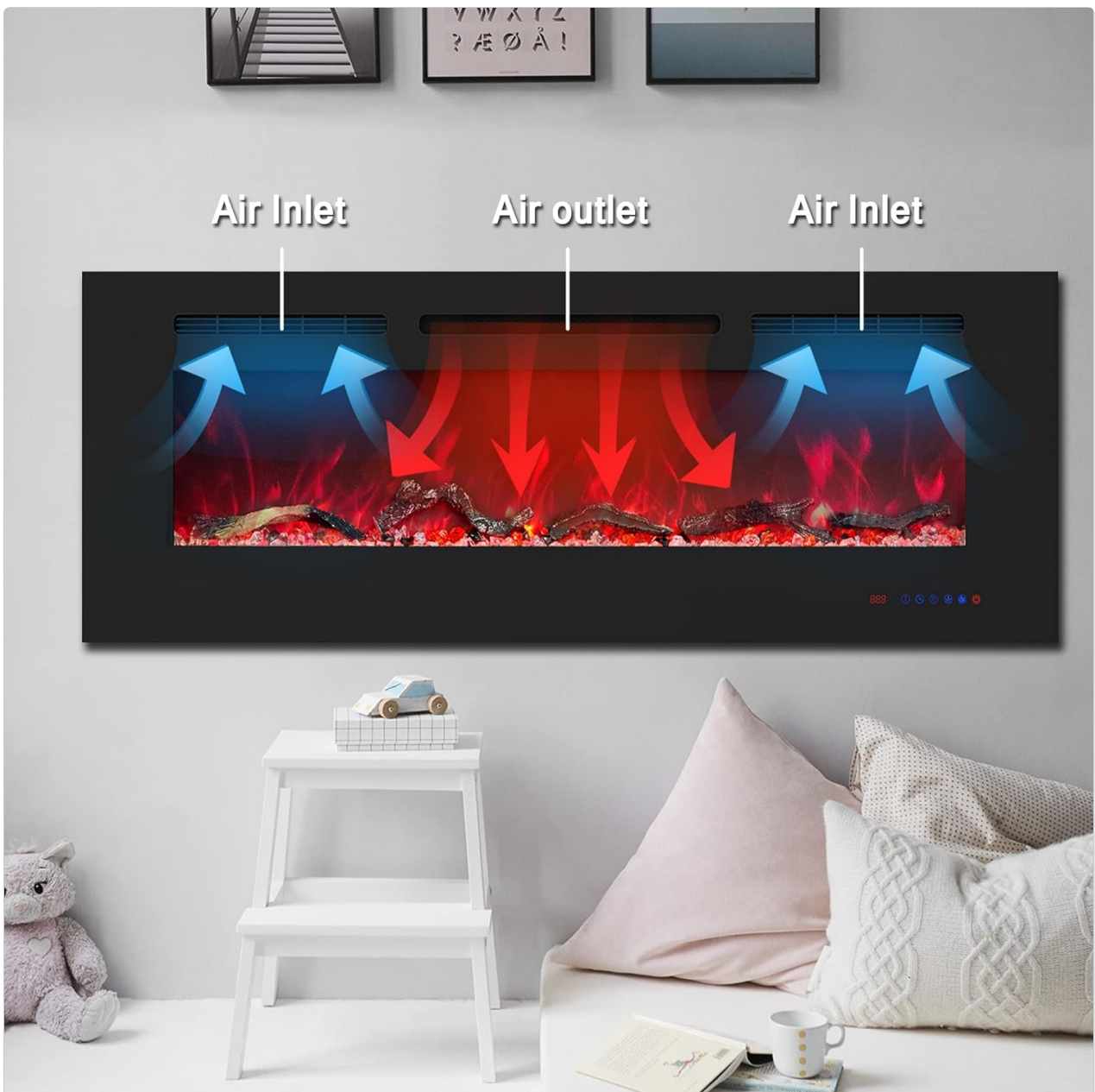


Image: Detailed diagram illustrating the overall dimensions of the 48-inch electric fireplace and the required rear dimensions for

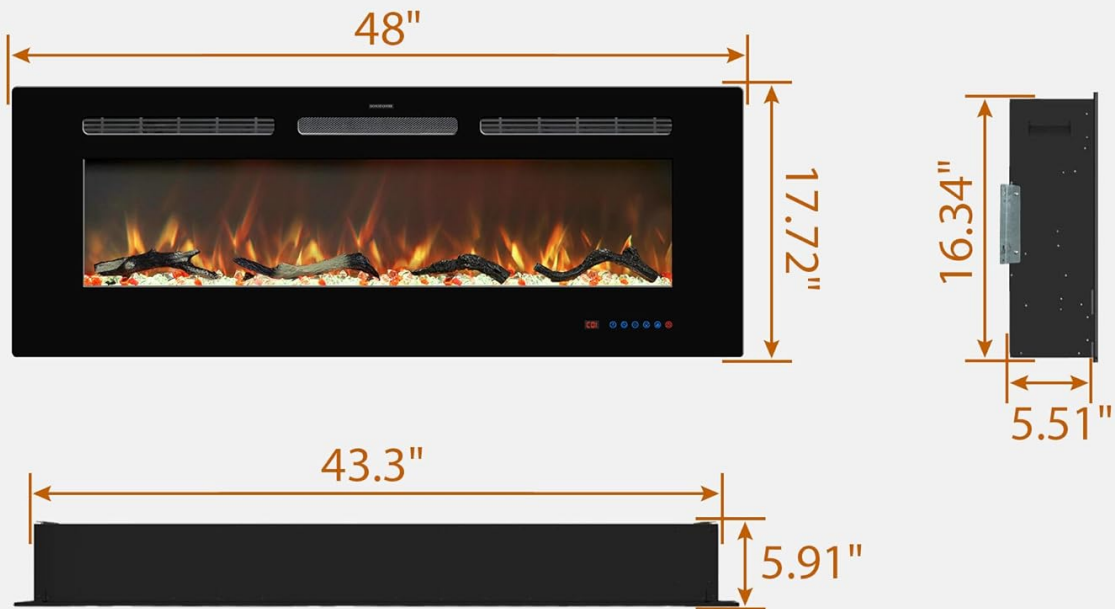
recessed installation into a wall. It shows the air inlet and outlet positions.



Image: Visual guide demonstrating two installation methods: hanging the fireplace on a wall using brackets, and recessing it into a wall opening. Key components like air outlet, crystals, cable, and handle are highlighted.

Ventilation:

The fireplace features a front-facing air intake and heat outlet for efficient heat distribution. Ensure these vents are not obstructed during installation or operation.



REAR DIMENSION

A : 43.7"-44.56"

B : 17.05"-17.72"

C : >6"

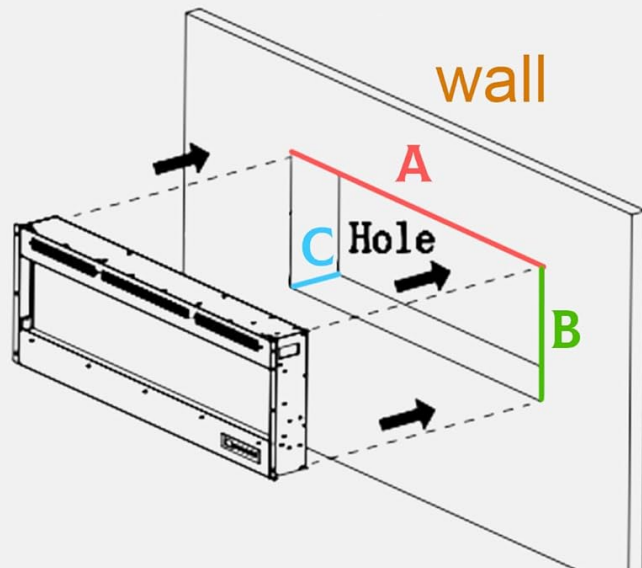


Image: Diagram illustrating the air inlet and air outlet locations on the top front of the electric fireplace, indicating the direction of airflow for heating.

Video Guide:

Video: An official Kentsky video demonstrating the recessed and wall-mounted installation processes for the electric fireplace, providing visual steps for setup.

5. OPERATING INSTRUCTIONS

Your Kentsky electric fireplace can be operated using the touch screen panel on the unit, the included remote control, or a dedicated mobile application (for WiFi models).

Control Panel & Remote:

The touch screen and remote control provide access to all functions, including power, timer, temperature, heat settings, and flame/fuel bed color adjustments.

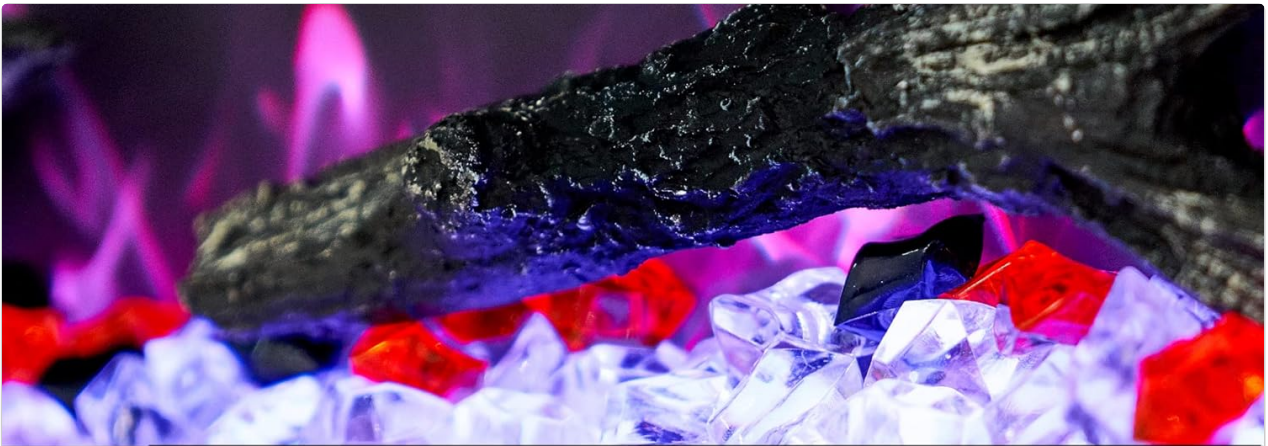



Diagram illustrating the remote control and touch screen panel on the fireplace, detailing buttons for Power, Temperature, Timer, Heat, Color, and Flame.

Display **Temperature** **Timer** **Heater** **Color** **Flame**

Power On/Off



- Power:** Turn the fireplace on/off
- Temperature:** 62°F to 99°F
- Timer:** Auto turn off the fireplace at selected time(1-9H)
- Heat:** 750W(LO)/1500W(HI), no heater or blower(OFF)
- Color:** Control crystal/log flame bed color
- Flame:** Change flame colors

Image: Illustration of the remote control and the touch screen panel on the fireplace, detailing buttons for Power, Temperature, Timer, Heat (750W/1500W), Color (crystal/log flame bed), and Flame (change flame colors).



Timer 1-9 hours



62°F - 99°F
Temperature



Low noise



13 Flame colors



Energy saving



13 Led bed colors



Image: Icons highlighting key features: 1-9 hour timer, 62°F-99°F temperature range, low noise operation, 13 flame colors, energy saving, and 13 LED bed colors.

Flame & Fuel Bed Customization:

Personalize your fireplace's appearance with 13 distinct flame colors and 13 LED fuel bed colors. You can also choose between the included log set or crystal embers to match your decor.



13 LED BED COLORS



13 FLAME COLORS

Image: A visual display of the 13 available LED bed colors (with crystals) and 13 flame colors, allowing for extensive customization of the fireplace's aesthetic.

Temperature & Timer Settings:

- Select between 750W (low) and 1500W (high) heat modes. The heating function can be turned off while decorative flames remain active.
- The thermostat maintains room temperature between 62°F and 99°F. To switch between Fahrenheit (°F) and Celsius (°C), press and hold the temperature button for 10 seconds.
- Set the timer for automatic shut-off from 1 to 9 hours.

App Control (WiFi Models):

For WiFi-enabled models, control your fireplace conveniently from your smartphone using the dedicated Kentsky app. This allows for remote adjustments of all settings.

Video: An official Kentsky video demonstrating the use of a mobile application to control the electric fireplace, showcasing features like turning on/off, adjusting heat, and changing flame colors remotely.

6. MAINTENANCE

Regular maintenance ensures optimal performance and longevity of your electric fireplace.

- **Cleaning:** Always unplug the fireplace before cleaning. Use a soft, damp cloth to wipe down the exterior surfaces. Do not use abrasive cleaners or sprays.
- **Glass Panel:** Clean the glass panel with a soft cloth and glass cleaner. Avoid harsh chemicals that may damage the finish.
- **Vents:** Periodically check and clean the air intake and outlet vents to ensure they are free from dust and debris, which can impede airflow and heating efficiency.
- **Storage:** If storing the fireplace for an extended period, ensure it is clean, dry, and stored in a safe location away from moisture and extreme temperatures.

7. TROUBLESHOOTING

If you experience issues with your Kentsky electric fireplace, refer to the following common troubleshooting steps:

- **No Power:** Ensure the power cord is securely plugged into a working electrical outlet. Check your household circuit breaker or fuse box.
- **No Heat:** Verify that the heat function is turned on via the control panel, remote, or app. Check the thermostat setting to ensure it is above the current room temperature.
- **Flames Not Working:** Ensure the flame effect is activated. Adjust flame brightness settings.
- **Unit Shuts Off Automatically:** This may indicate the overheat protection has been activated. Unplug the unit, wait 10-15 minutes for it to cool down, and ensure vents are clear before plugging it back in.
- **Remote Not Working:** Check and replace the batteries in the remote control. Ensure there are no obstructions between the remote and the fireplace's sensor.

If problems persist after attempting these steps, please contact customer support.

8. SPECIFICATIONS

Feature	Specification
Brand	Kentsky
Model Name	3e8e9f81-36df-4434-9ddb-d15a2e32ee5a
Product Dimensions	5.51"D x 48"W x 17.7"H
Power Source	Corded Electric
Heat Output	750W / 1500W (5120 BTU per Hour)
Heating Coverage	Up to 400 sq. ft. (approx. 5.8 square feet listed in specs is likely an error, 400 sq ft is more typical for 5120 BTU)

Feature	Specification
Temperature Range	62°F to 99°F
Flame Colors	13 Multicolor Flame Options
Fuel Bed Colors	13 LED Bed Colors
Timer	1-9 Hours
Installation Type	Recessed / Wall Mount
Material	Metal
Item Weight	48.3 pounds (21.95 Kilograms)
Included Components	Log, Remote Control
Batteries	2 AAA batteries required (included)

9. WARRANTY AND SUPPORT

The Kentsky 48-inch Electric Fireplace Inserts come with a limited warranty. For specific details regarding warranty coverage, please refer to the warranty card included in your package or contact Kentsky customer support.

For technical assistance, troubleshooting, or warranty claims, please contact:

- **Kentsky Customer Support:** [Insert Customer Support Contact Information Here, e.g., Phone Number, Email, Website]

Please have your model number (3e8e9f81-36df-4434-9ddb-d15a2e32ee5a) and purchase date available when contacting support.