

Manuals+

[Q & A](#) | [Deep Search](#) | [Upload](#)

Manuals.plus /

› [BBQ-PLUS](#) /

› BBQ-PLUS 1200W Electric Smoker Heating Element Replacement Manual for Masterbuilt 40-inch Digital Control Smokers (Model ESGHER1017)

BBQ-PLUS ESGHER1017

BBQ-PLUS 1200W Electric Smoker Heating Element Replacement Manual for Masterbuilt 40-inch Digital Control Smokers (Model ESGHER1017)

1. PRODUCT OVERVIEW

This manual provides instructions for the installation and maintenance of the BBQ-PLUS 1200W Electric Smoker Heating Element, Model ESGHER1017. This component is designed as a direct replacement for the heating element in compatible Masterbuilt 40-inch Digital Control Electric Smokers. The element is constructed from high-quality stainless steel, offering resistance to corrosion and oxidation for extended durability.

The package includes all necessary components for a straightforward replacement, ensuring your electric smoker can return to optimal heating performance.

Important Safety Information

- **Electrical Hazard:** Always disconnect the smoker from the power supply before attempting any installation, maintenance, or repair. Failure to do so can result in electric shock or serious injury.
- **Burn Hazard:** Allow the heating element and surrounding components to cool completely before handling. Hot surfaces can cause severe burns.
- **Professional Installation Recommended:** If you are not comfortable performing electrical repairs, seek assistance from a qualified technician.
- **Use Correct Tools:** Ensure you have the appropriate tools for the installation to prevent damage to the product or injury.
- **Voltage and Wattage:** This heating element operates at 110V and 1200W. Verify that your smoker's specifications match these requirements.

2. COMPATIBILITY

This BBQ-PLUS 1200W Heating Element (Model ESGHER1017) is compatible with the following Masterbuilt 40-inch Digital Control Electric Smoker models:

20070710

20070211

20070810
20070311
20071311
20071411
MB20074719
MB20072916

Please verify your smoker's model number before purchasing and installing this replacement part to ensure proper fit and function.

Fits for Masterbuilt Model

20070710, 20070211, 20070810, 20070311, 20071311,
20071411, MB20074719, MB20072916.



Figure 2.1: List of compatible Masterbuilt electric smoker models.

3. PACKAGE CONTENTS

The BBQ-PLUS 1200W Electric Smoker Heating Element replacement kit includes the following items:

- 1x 1200W 110V Heating Element
- 1x Gasket
- 2x Replacement Wire Assemblies
- 2x Wire Nuts

- 2x Element Screws

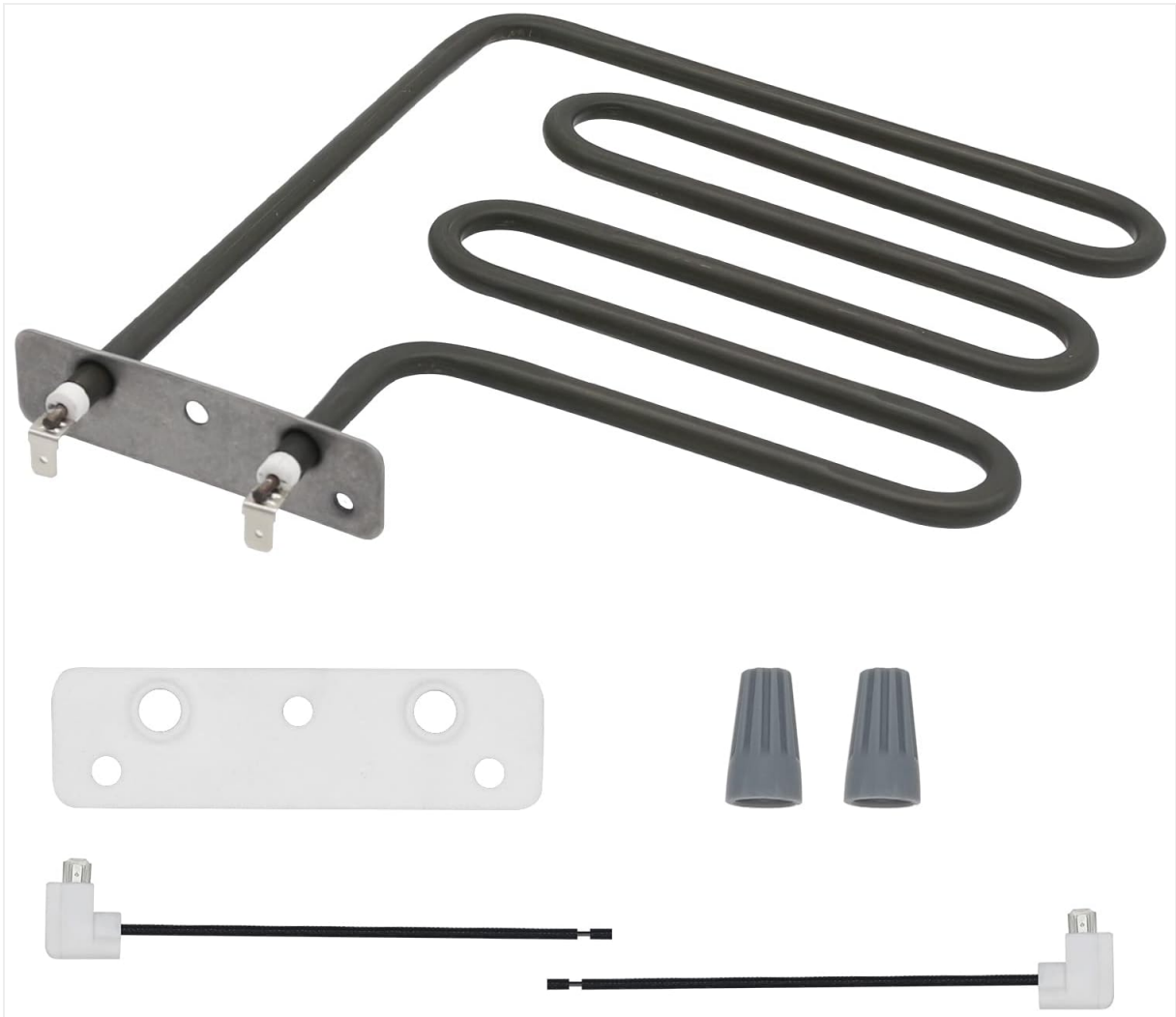


Figure 3.1: Contents of the replacement heating element kit.

4. SPECIFICATIONS

Feature	Specification
Brand	BBQ-PLUS
Model Name	ESGHER1017
Power Source	Electric
Operating Voltage	110V
Wattage	1200W
Outer Material	Stainless Steel
Approximate Element Dimensions (L x W)	9.17 inches x 2.68 inches (heating coil area)
Mounting Plate Dimensions (L x H)	3.58 inches x 0.83 inches

Dimensions

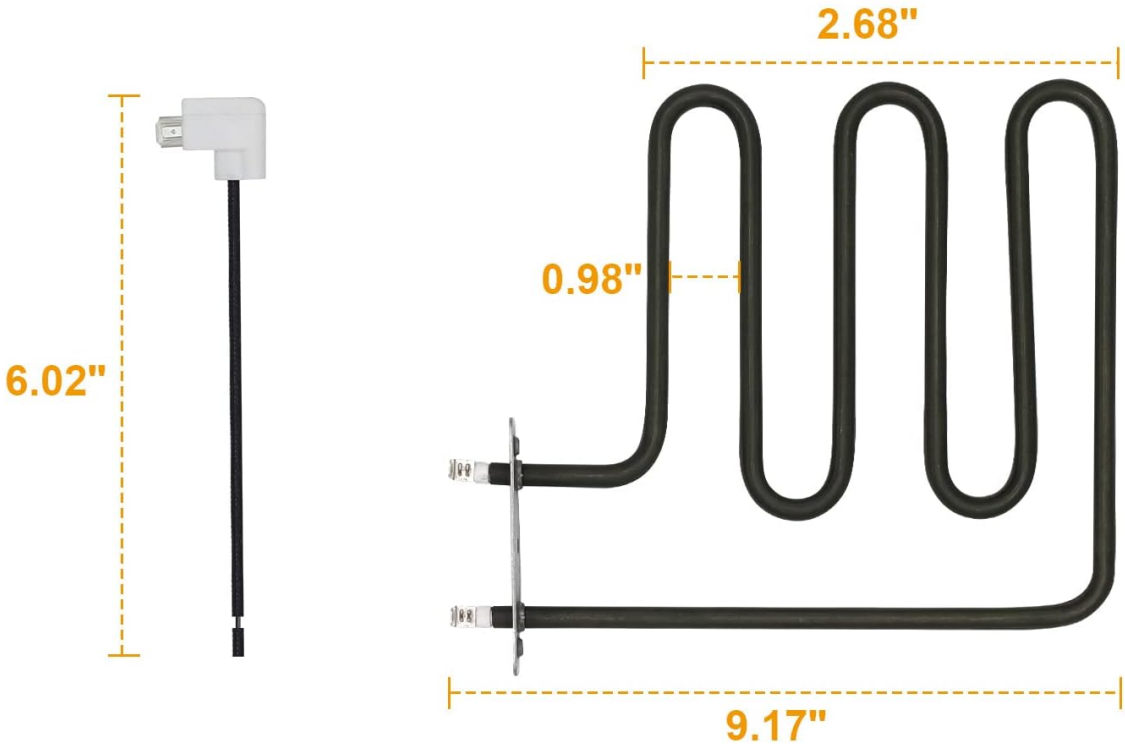
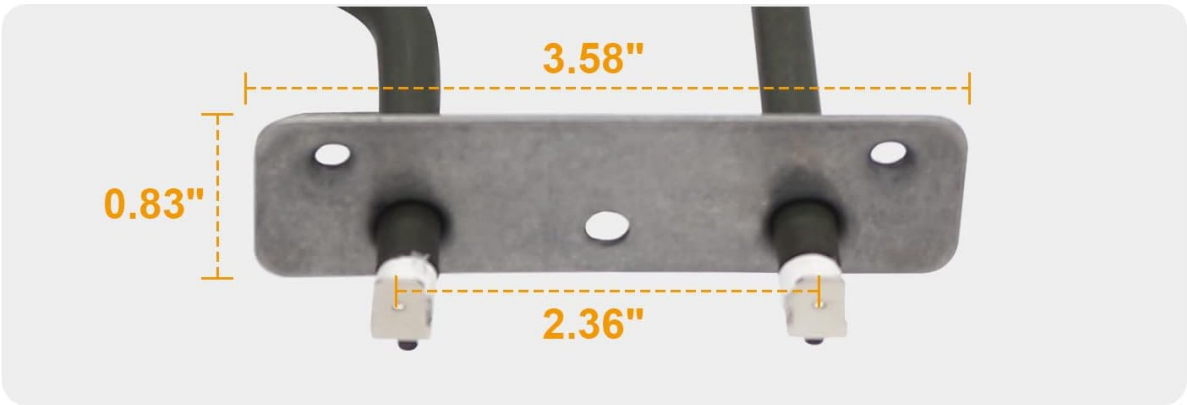
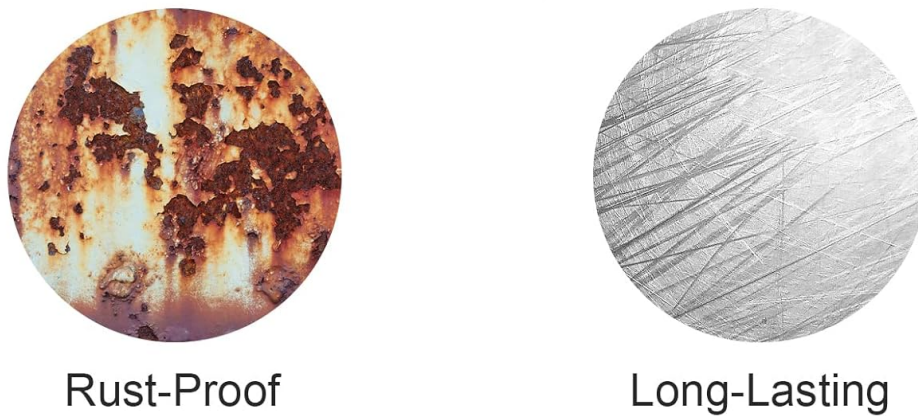


Figure 4.1: Detailed dimensions of the heating element.

Made of high quality stainless steel



Rust-Proof

Long-Lasting

Figure 4.2: Material quality and durability features of the heating element.

5. INSTALLATION INSTRUCTIONS

Follow these steps carefully to replace the heating element in your Masterbuilt electric smoker. Refer to your smoker's original manual for specific disassembly instructions if needed.

1. **Safety First:** Ensure the electric smoker is completely unplugged from the power outlet and has cooled down to room temperature before beginning any work.
2. **Access the Old Element:** Depending on your smoker model, you may need to remove the water pan, chip tray, and possibly the bottom rack to gain access to the heating element. The element is typically located at the bottom of the smoker's interior.
3. **Disconnect Wiring:** Carefully locate the wiring connected to the existing heating element. Note or photograph the wiring configuration for reassembly. Disconnect the wires from the terminals of the old heating element.
4. **Remove Old Element:** Unscrew any mounting screws or clips securing the old heating element in place. Gently remove the old element from the smoker.
5. **Install New Gasket:** Place the new gasket provided in the kit onto the mounting plate of the new heating element. This helps create a seal.
6. **Position New Element:** Insert the new BBQ-PLUS heating element into the smoker, aligning its

mounting plate with the screw holes. Secure it in place using the provided element screws.

7. **Connect Wiring:** Connect the smoker's wiring to the terminals of the new heating element. Use the provided replacement wire assemblies and wire nuts if the original wiring is damaged or if new connections are required. Ensure all connections are secure and properly insulated. Refer to your notes or photos from step 3.
8. **Reassemble Smoker:** Reinstall any removed components such as the bottom rack, chip tray, and water pan.
9. **Test Functionality:** Plug the smoker back into a grounded electrical outlet. Turn on the smoker and set it to a low temperature to verify that the new heating element is functioning correctly and heating evenly. Monitor for any unusual smells or sounds during the initial test.



Figure 5.1: The 1200W heating element installed in a Masterbuilt electric smoker.

6. OPERATION

Once the BBQ-PLUS heating element is correctly installed, your electric smoker should operate as intended. The heating element is responsible for generating the heat required for smoking. Refer to your Masterbuilt electric smoker's original instruction manual for detailed operating procedures, temperature settings, and cooking guidelines.

The 1200W element is designed to provide efficient heating, allowing your smoker to reach and maintain desired temperatures for various smoking applications. The maximum temperature achievable depends on the specific smoker model and environmental conditions, but typically ranges up to 375°F.



Figure 6.1: Illustration of the heating element's function and temperature capability.

7. MAINTENANCE

Proper maintenance of your heating element can extend its lifespan and ensure consistent performance. Always ensure the smoker is unplugged and cool before performing any maintenance.

- **Regular Inspection:** Periodically inspect the heating element for any signs of damage, corrosion, or excessive carbon buildup.
- **Cleaning:** If carbon or grease buildup is present, gently clean the element using a soft brush or cloth. Avoid using abrasive cleaners or sharp objects that could damage the element's surface.
- **Wiring Check:** Ensure that all electrical connections remain tight and free from corrosion.
- **Storage:** If the smoker is stored for extended periods, ensure it is in a dry environment to prevent moisture-related damage to electrical components.

8. TROUBLESHOOTING

If you encounter issues after replacing the heating element, consider the following troubleshooting steps:

Problem	Possible Cause	Solution
Smoker not heating	<ul style="list-style-type: none">◦ Loose or incorrect wiring connections.◦ Faulty thermostat or control panel (not the heating element itself).◦ Power supply issue.	<ul style="list-style-type: none">◦ Verify all wire connections are secure and correctly installed.◦ Check the smoker's power cord and outlet.◦ Consult your smoker's original manual for troubleshooting control panel or thermostat issues.
Circuit breaker trips when smoker is turned on	<ul style="list-style-type: none">◦ Short circuit in wiring.◦ Overloaded circuit.◦ Faulty heating element (unlikely if new).	<ul style="list-style-type: none">◦ Inspect wiring for any exposed or pinched wires.◦ Ensure the smoker is on a dedicated circuit or one not shared with other high-wattage appliances.◦ If the issue persists, disconnect the element and test the circuit. If it still trips, the problem is elsewhere in the smoker or electrical system.
Uneven heating	<ul style="list-style-type: none">◦ Improper installation of the element.◦ Smoker door seal issues.	<ul style="list-style-type: none">◦ Re-check element installation to ensure it is level and securely mounted.◦ Inspect the smoker door gasket for damage or leaks.

If these steps do not resolve the issue, it may indicate a problem with other components of your smoker or require professional assistance.

9. WARRANTY AND SUPPORT

For warranty information or technical support regarding your BBQ-PLUS 1200W Electric Smoker Heating Element, please refer to the product packaging or contact BBQ-PLUS customer service directly. Contact details can typically be found on the manufacturer's website or through your purchase platform.

When contacting support, please have your product model number (ESGHER1017) and purchase information readily available.