



Manuals.plus /

› SMARTSTANDARD /

› SmartStandard 36 x 84 in Glass Barn Door with 6.6FT Sliding Hardware Kit & Handle Instruction Manual

SMARTSTANDARD 36 x 84

SmartStandard Glass Barn Door Instruction Manual

Model: 36 x 84 | Brand: SMARTSTANDARD

INTRODUCTION

Thank you for choosing the SmartStandard Glass Barn Door. This manual provides essential information for the proper assembly, installation, operation, and maintenance of your new barn door system. Designed for modern living spaces, this door combines functionality with aesthetic appeal, offering both light and privacy. Please read these instructions carefully before beginning installation to ensure a smooth and successful setup.



Image: SmartStandard Glass Barn Door with black sliding hardware, installed in a modern interior, providing a stylish transition between rooms.

KEY FEATURES

- **Modern & Stylish Design:** Features frosted glass on one side and smooth glass on the other, balancing light and privacy.
- **Safe & Heavy-Duty Hardware:** Includes a black sliding hardware kit with smooth, quiet rollers and a robust metal track. End bumpers and solid rubber prevent the door from lifting off the track.
- **Durable Construction:** Door panels are made of primed MDF, designed to be flatter, smoother, and more sturdy than traditional wood doors, resisting bending.
- **Waterproof & Anti-Scratch Coating:** Equipped with a waterproof PVC coating for easy cleaning and enhanced surface protection.
- **Pre-Drilled for Easy Assembly:** All necessary holes for hangers and handle are pre-drilled, simplifying the installation process.

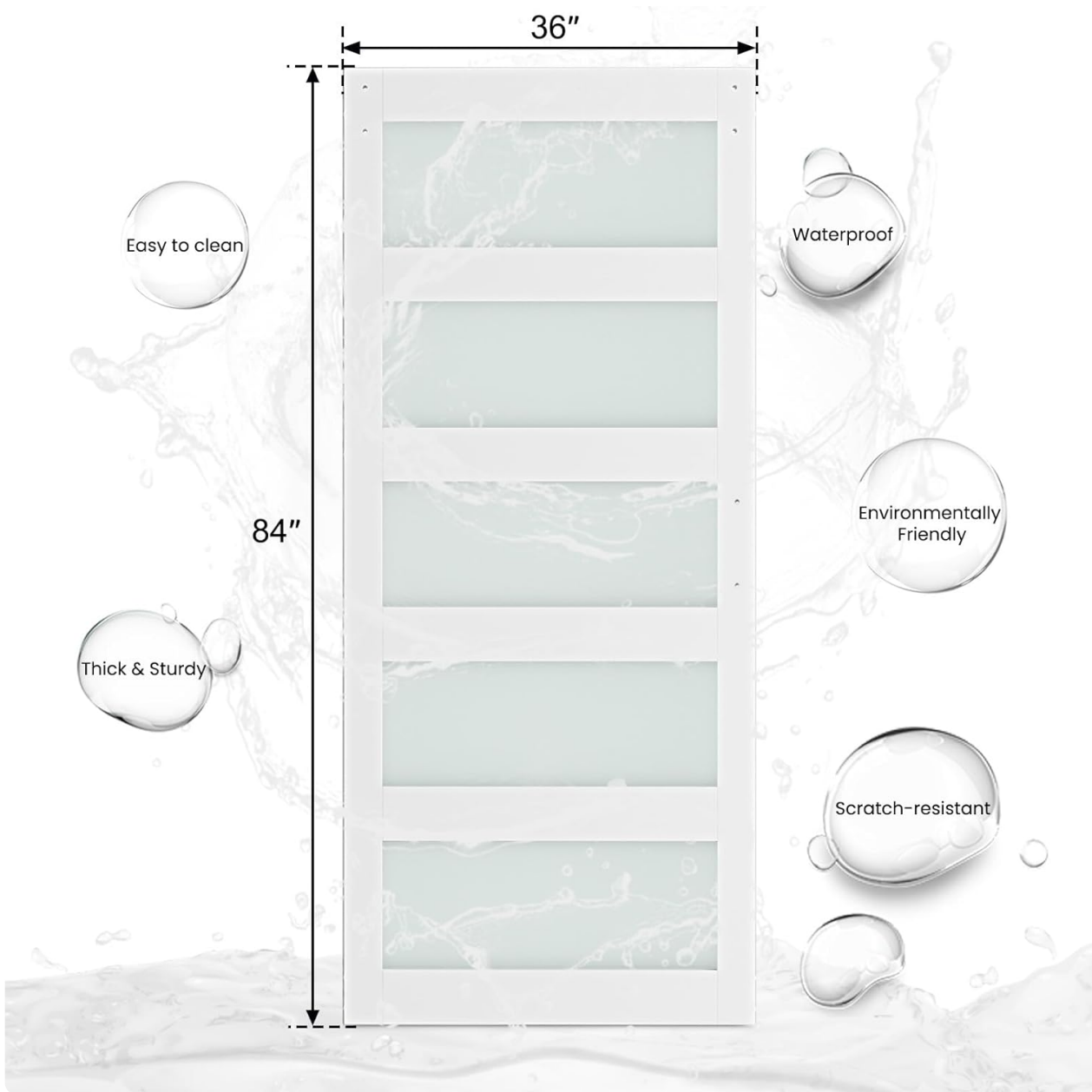


Image: Detailed diagram highlighting the 36-inch width and 84-inch height of the door, along with key features such as waterproof, easy to clean, thick & sturdy, environmentally friendly, and scratch-resistant properties.

PACKAGE CONTENTS

Before beginning assembly, please verify that all components listed below are present and undamaged. If any parts are missing or damaged, please contact customer support.

| Component | Quantity |
|---------------------------------------|----------|
| MDF Glass Barn Door (Assembly Needed) | 1 |
| Sliding Hardware Kit (6.6FT Track) | 1 |
| Double-sided Handle | 1 |
| Wall-mounted Floor Guide | 1 |
| T-Shape Floor Guide | 1 |
| Installation Tools | 1 set |
| Detailed Instructions | 1 |

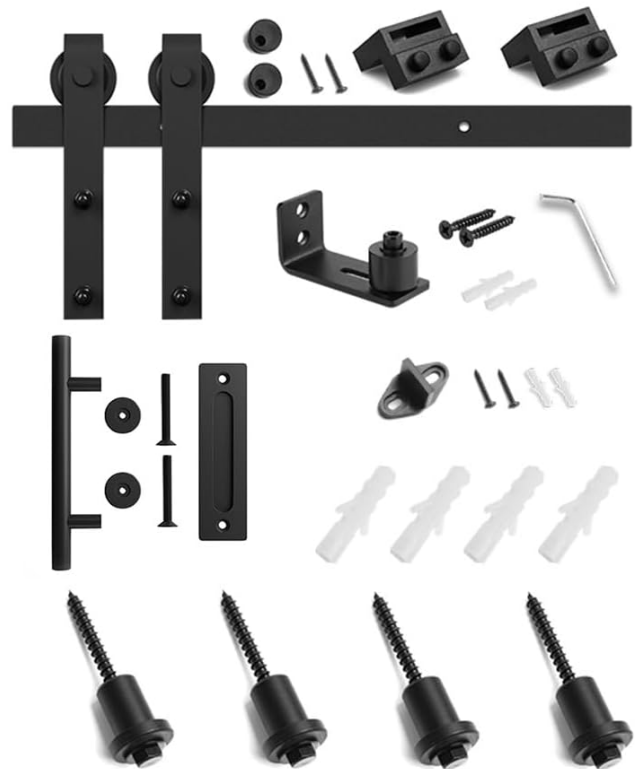
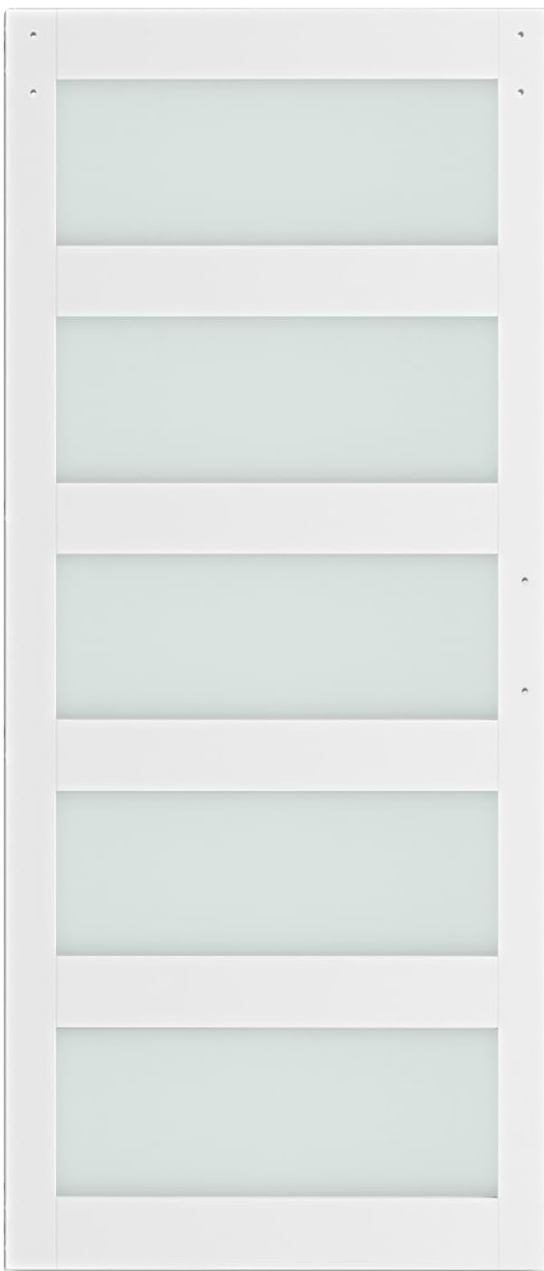


Image: All components of the SmartStandard barn door kit laid out, including the door panels, track, hangers, handle, and installation hardware.

PRODUCT SPECIFICATIONS

| Attribute | Detail |
|--------------------|---|
| Brand | SMARTSTANDARD |
| Model Number | 36 x 84 |
| Size | 36"x84" Door + 6.6' Track Kit |
| Color | White |
| Material | Primed MDF, Waterproof PVC Coating |
| Style | Modern, 5-Panel Glass |
| Item Weight | 92.5 Pounds |
| Product Dimensions | 1.38 x 36 x 84 inches |
| Assembly Required | Yes |
| Country of Origin | China |
| Usage | Living room, bathroom, bedroom, kitchen, closet, pantry, laundry room |

SETUP AND INSTALLATION

The SmartStandard barn door is designed for straightforward assembly and installation. Follow the steps below and refer to the detailed instructions included in your package for precise measurements and hardware placement. It is recommended to have at least two people for installation due to the door's weight.

Pre-Installation Considerations

- Ensure your wall can support the weight of the door and track. A header board is highly recommended for secure mounting, especially if studs are not ideally spaced.
- Verify sufficient clearance above the door opening (at least 6 inches) for the track and hangers.
- Measure your door opening and ensure the barn door is wide enough to cover it completely, typically 4-6 inches wider than the opening.



Image: Visual guide for barn door installation clearances, showing the 6-inch clearance needed above the door and the fixed distance from wall holes to the floor.

Assembly Steps (Approx. 30 Minutes)

1. **Assemble the Door Panels:** The door comes unassembled. Follow the instructions to connect the individual slats and glass panels. All holes are pre-drilled for quick assembly.
2. **Install the Track:** Mount the 6.6FT sliding track securely to your wall, ensuring it is level and at the correct height.
3. **Attach Hangers to Door:** Secure the hangers to the top edge of the assembled door using the provided hardware.
4. **Hang Door on Track:** Carefully lift the door and attach the hanger wheels onto the track.
5. **Install Floor Guides:** Secure the floor guide(s) to the floor to prevent the door from swinging out. The door has a pre-made groove for this purpose.
6. **Attach Handle:** Install the double-sided handle to the door.

Easy Installation in Several Steps

Be Assembled Slat by Slat

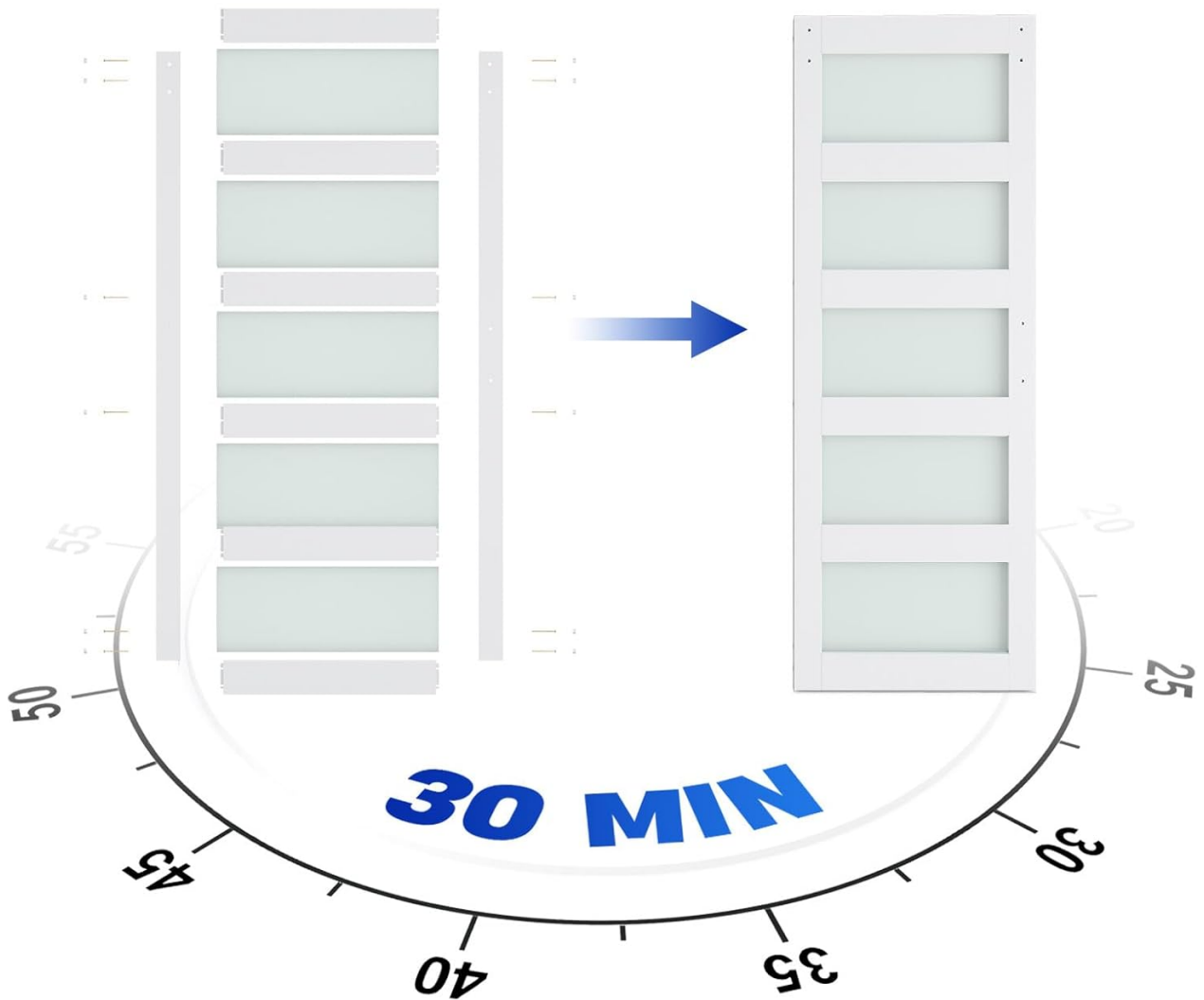


Image: Visual representation of the quick and easy assembly process, highlighting that the door can be put together in about 30 minutes.

Installation Video Resources

For a visual guide to the installation process, please refer to the official SmartStandard videos:

Your browser does not support the video tag.

Video: SmartStandard White Glass Barn Door With Hardware Kit. This video provides an overview of the product and its components, demonstrating the assembled door and hardware.

Your browser does not support the video tag.

Video: Easy to install Glass Barn Door and Hardware Included. This video showcases the ease of installation for the glass barn door and its included hardware.

Your browser does not support the video tag.

Video: Sliding Glass Barn Door. This video demonstrates the smooth sliding action of the glass barn door once installed.

OPERATING THE BARN DOOR

Your SmartStandard barn door is designed for smooth and quiet operation. To open or close the door, simply grasp the handle and slide the door along the track. The premium nylon wheels and superior quality bearings ensure effortless movement.



RUBBER CUSHIONED STOPPERS

Stop your door to the
tighten Point



SUPERIOR QUALITY BEARING

Tested beyond
100,000 rolls



PREMIUM NYLON WHEELS

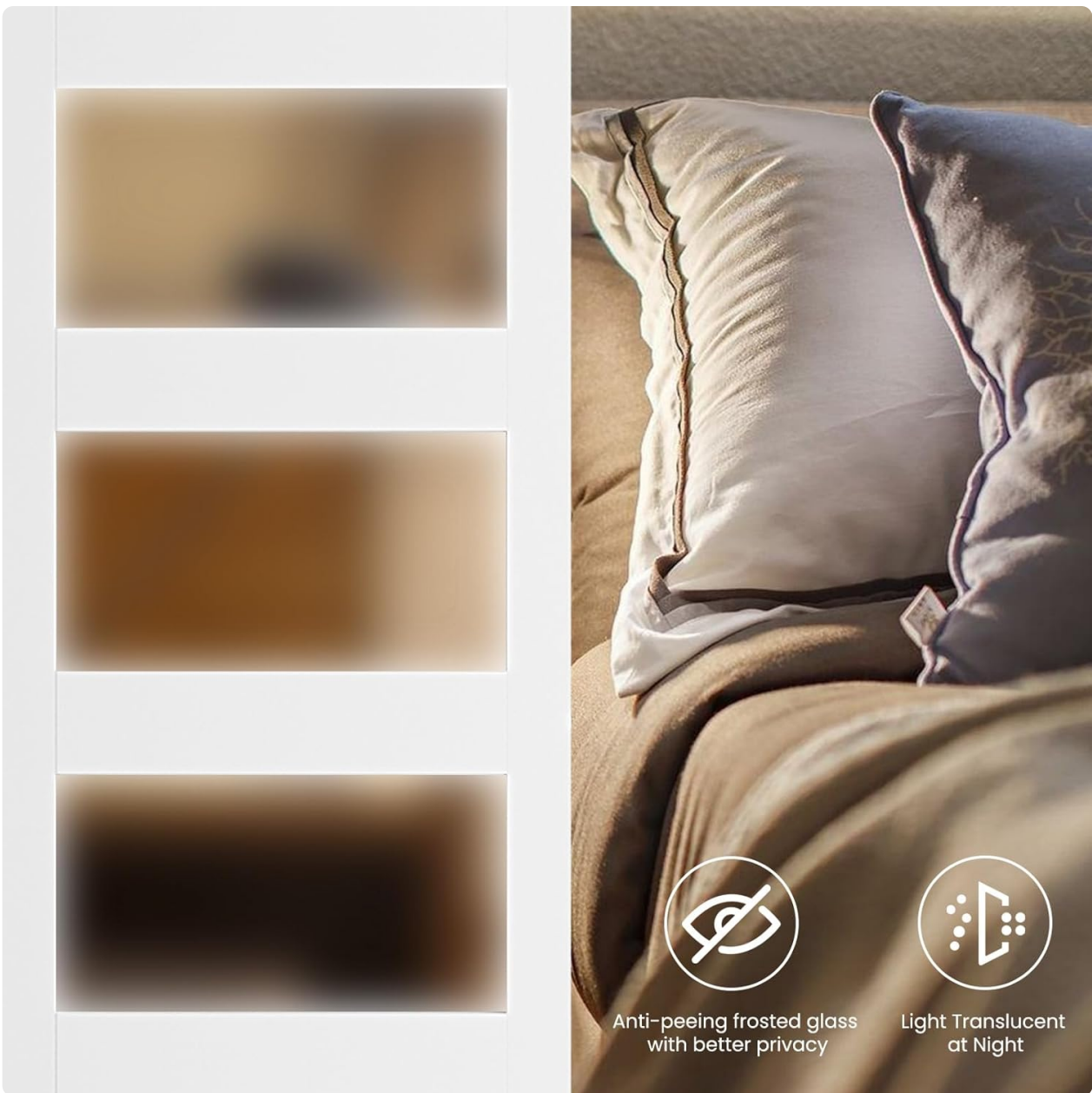
Super smoothly
and quietly



Image: Detailed view of the barn door's sliding mechanism, highlighting the rubber stoppers, high-quality bearings, and smooth nylon wheels.

Privacy and Light Control

The frosted glass panels provide an ideal balance of natural light transmission and privacy. The frosted side offers enhanced privacy, while the smooth side allows for more light. This design is perfect for areas where light is desired but direct visibility is not.



Anti-peeking frosted glass
with better privacy

Light Translucent
at Night

Image: Close-up of the frosted glass panels, illustrating how they provide privacy while still allowing light to pass through.

MAINTENANCE AND CARE

To ensure the longevity and optimal performance of your SmartStandard barn door, follow these simple maintenance guidelines:

- **Cleaning the Door:** The waterproof PVC coating makes the door easy to clean. Use a soft, damp cloth with mild soap and water to wipe down the door panels and glass. Avoid abrasive cleaners or harsh chemicals that could damage the finish.
- **Track and Hardware:** Periodically inspect the sliding track and hardware for any dust or debris buildup. Wipe the track clean with a dry cloth. Lubricate the rollers and bearings annually with a silicone-based lubricant to maintain smooth operation.
- **Tighten Fasteners:** Over time, fasteners may loosen. Periodically check all screws and bolts on the hangers, track, and handle, and tighten them as needed.

- **Glass Care:** For the glass panels, use a standard glass cleaner and a microfiber cloth to avoid streaks.

TROUBLESHOOTING

If you encounter any issues with your SmartStandard barn door, refer to the common problems and solutions below:

| Problem | Possible Cause | Solution |
|---|---|---|
| Door is difficult to slide or makes noise | Dust/debris on track, dry rollers, loose hardware | Clean track, lubricate rollers, tighten all fasteners. |
| Door swings out from the wall | Floor guide not installed or loose | Ensure floor guide is securely installed and adjusted correctly. |
| Door does not close completely | Track not level, obstruction, or door stoppers misaligned | Check track level, remove any obstructions, adjust door stoppers. |
| Door appears warped or bent | Improper installation or extreme environmental changes | Ensure proper installation. While designed to resist warping, extreme humidity/temperature changes can affect wood products. Contact support if severe. |

WARRANTY AND SUPPORT

SmartStandard is committed to providing high-quality products. This product comes with a standard return policy. For specific warranty details or to initiate a return, please refer to your purchase documentation or the retailer's policy.

Customer Support

If you have any questions, require assistance with installation, or need to report a missing/damaged part, please contact SmartStandard customer support. Our team is available to assist you.

Online Support: Visit the official SmartStandard store on Amazon: SMARTSTANDARD Store

General Inquiries: Refer to the contact information provided with your purchase or on the product packaging.

