



Manuals.plus /

› Pawhut /

› PawHut Pet Stairs and Cat House Instruction Manual, Model D06-160V00GY

Pawhut D06-160V00GY

PawHut Pet Stairs and Cat House Instruction Manual

Model: D06-160V00GY

1. INTRODUCTION

Thank you for choosing the PawHut Pet Stairs and Cat House. This product is designed to assist pets with limited mobility, such as older, smaller, or injured animals, in reaching elevated surfaces like beds and sofas. It also provides a comfortable and private resting area for your pet. Please read this manual thoroughly before assembly and use to ensure proper setup and safe operation.

2. SAFETY INFORMATION

- Ensure all components are securely fastened before allowing pets to use the product.
- Do not exceed the maximum recommended load of 5 kg (11 lbs) for pets using the steps.
- Place the pet stairs on a flat, stable surface to prevent tipping.
- Regularly inspect the product for any loose parts or damage. Discontinue use if damage is found.
- Keep small children away from the product during assembly and use.

3. PACKAGE CONTENTS

Verify that all parts listed below are present in your package:

- Pet stairs components (particle board, plush, felt cloth sections)
- Assembly hardware (screws, connectors, etc.)
- Hanging toy ball
- Instruction Manual

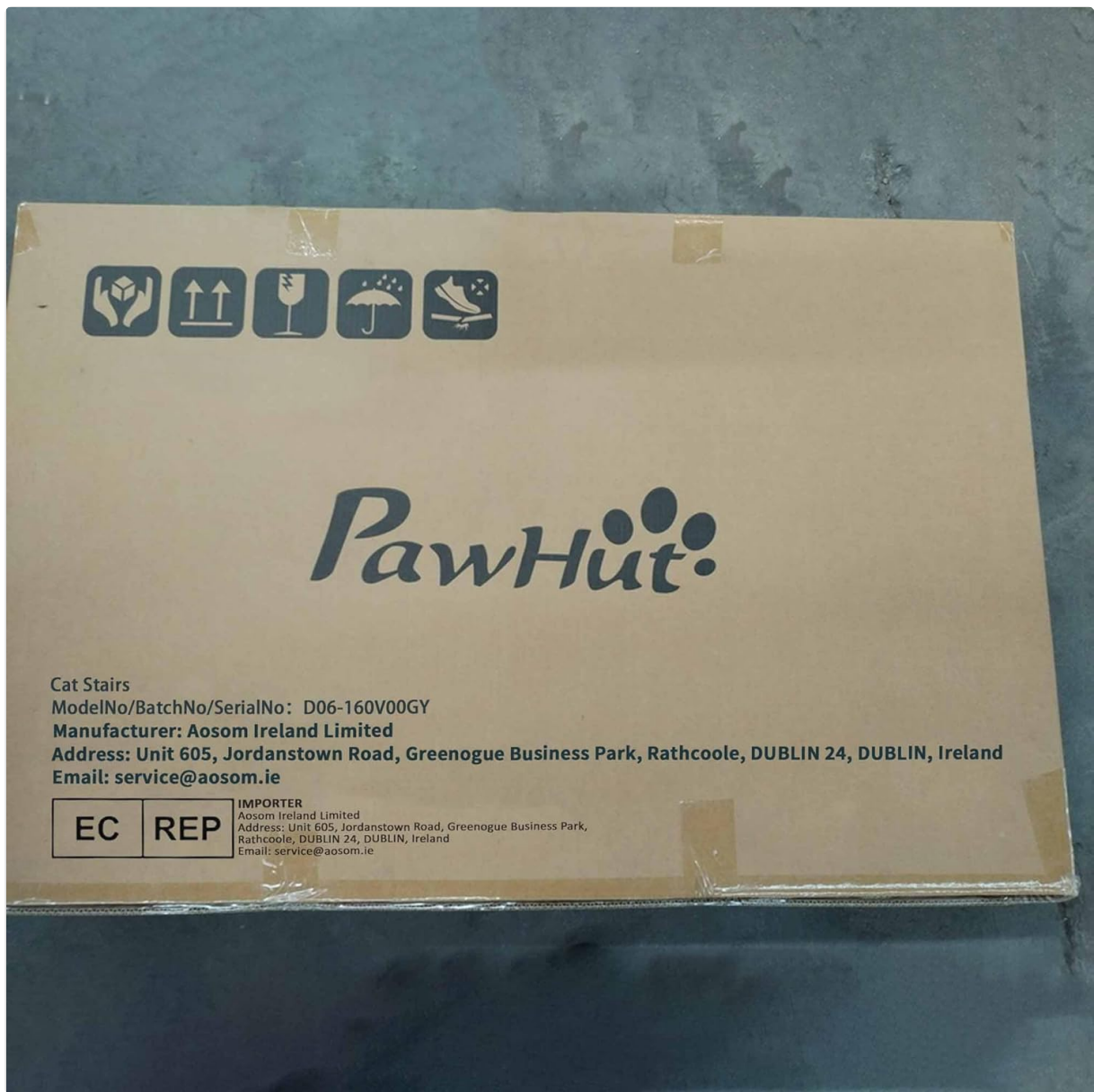


Figure 1: Product packaging. Please check the contents against the list above.

4. SETUP AND ASSEMBLY

Assembly is required. Follow these steps carefully. All parts are pre-drilled for quick assembly.

1. **Unpack Components:** Carefully remove all parts from the packaging and lay them out on a clean, soft surface to prevent scratches.
2. **Identify Parts:** Refer to the included parts diagram (if available in physical manual) to identify each component.
3. **Assemble Base Structure:** Begin by connecting the main particle board sections to form the base and the cat house structure. Ensure all connections are tight.
4. **Attach Steps and Platforms:** Securely attach the individual steps and platforms to the main structure using the provided hardware.
5. **Install Support Posts:** Attach the scratching posts and support columns.
6. **Attach Detachable Top (Optional):** The top platform can be attached to create a 4-step configuration or removed for a 3-step configuration, depending on your pet's needs and the height of the furniture.
7. **Attach Hanging Ball:** Secure the hanging toy ball to the designated area.

8. **Final Check:** Once assembled, gently shake the unit to ensure all connections are stable and secure.



DETACHABLE TOP

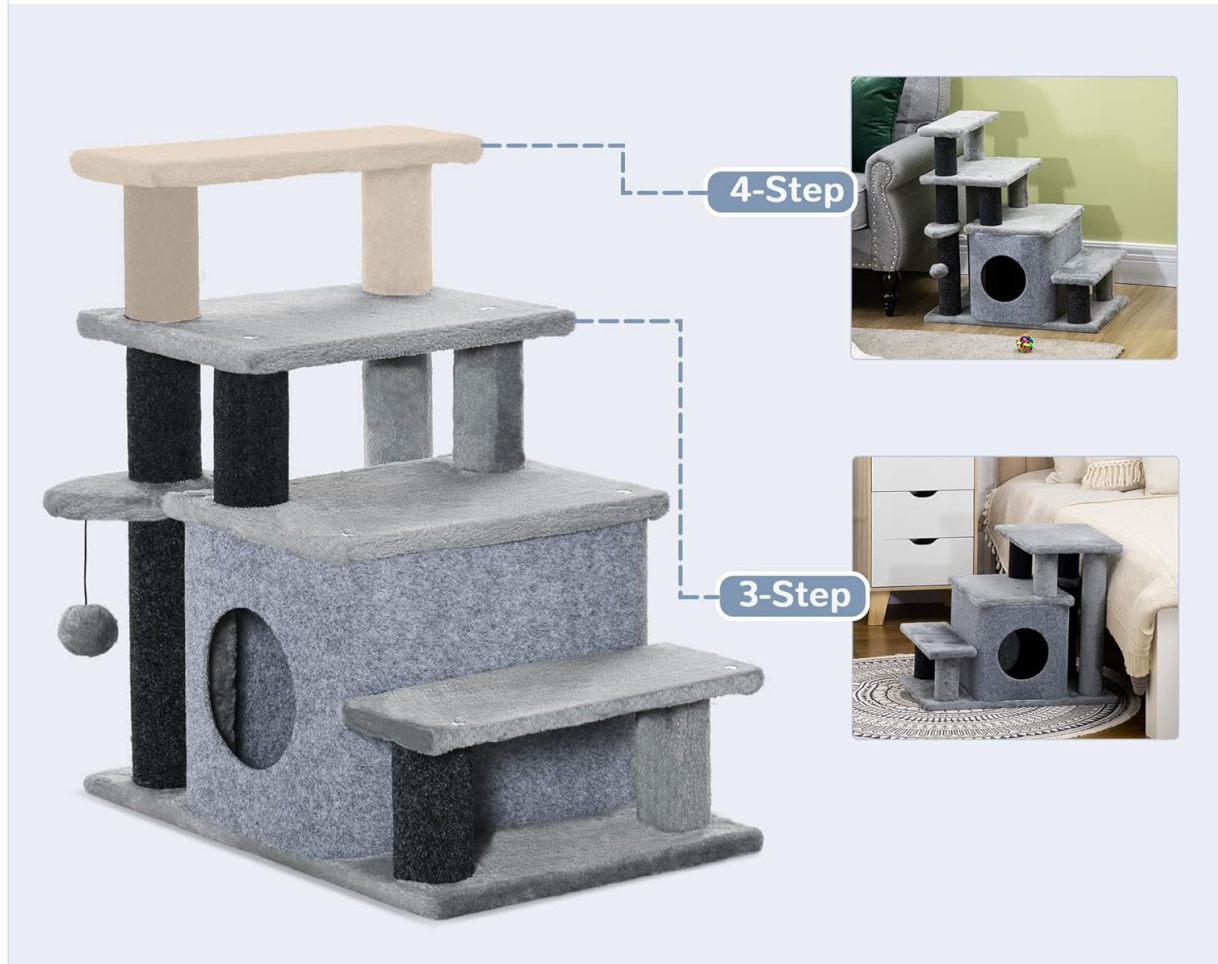


Figure 2: The detachable top allows for adjustable height, offering either a 3-step or 4-step configuration.

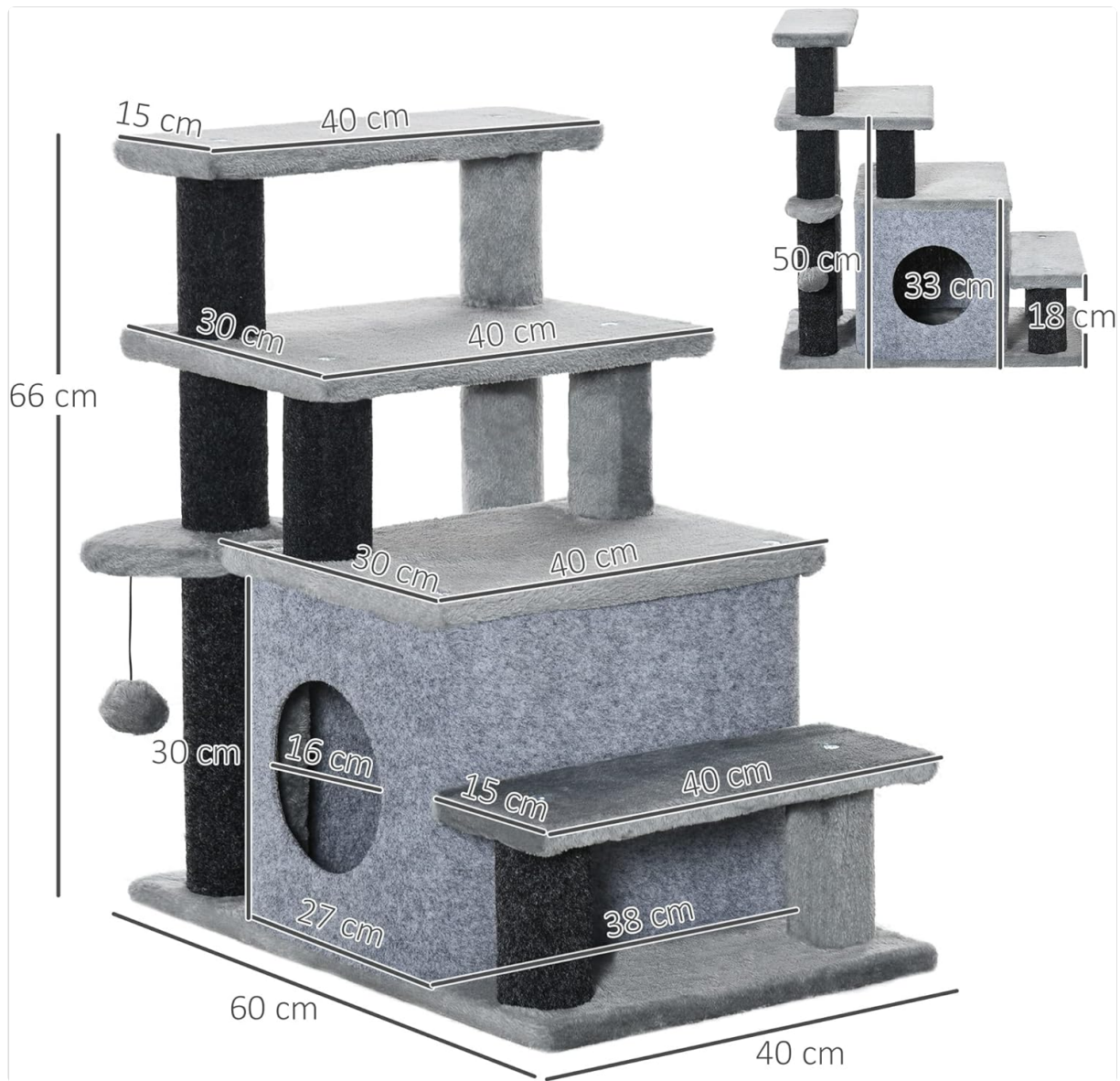


Figure 3: Detailed dimensions of the assembled pet stairs and cat house.

5. OPERATING INSTRUCTIONS

This pet stairs and cat house combination offers multiple functionalities for your pet's comfort and accessibility.

- **Pet Stairs:** Position the stairs next to a bed, sofa, or other elevated surface your pet needs to access. The adjustable height (3 or 4 steps) allows for versatility.
- **Cat House/Resting Area:** The integrated condo at the base provides a private and enclosed space for your cat or small dog to rest and feel secure.
- **Hanging Toy Ball:** The attached toy ball offers an interactive element for playful pets.
- **Scratching Posts:** The posts covered in felt cloth serve as scratching areas, promoting healthy claw maintenance and diverting scratching from furniture.



Figure 4: The pet stairs positioned next to a sofa, demonstrating its use for accessing elevated furniture.



MULTIFUNCTION



Figure 5: Illustrates the dual function of the product as both pet stairs and a comfortable pet house.



MORE DETAILS



Hanging Ball



Jumping Platform



Soft Plush

Figure 6: Detailed view of the hanging ball, plush steps, and platforms.

6. MAINTENANCE

- **Cleaning:** The plush and felt cloth surfaces can be spot cleaned with a damp cloth and mild detergent. Avoid excessive moisture.
- **Vacuuming:** Regularly vacuum the plush surfaces to remove pet hair and dust.
- **Inspection:** Periodically check all screws and connections to ensure they remain tight. Re-tighten if necessary.
- **Damage:** If any part of the product becomes damaged, discontinue use and contact customer support for assistance.

7. TROUBLESHOOTING

- **Product feels wobbly after assembly:** Ensure all screws are fully tightened. Check that the product is placed on a level surface.
- **Pet is hesitant to use the stairs:** Encourage your pet with treats or toys. Guide them gently up and down the steps a few times. Some pets may need time to adjust.
- **Missing parts:** Review the package contents list. If parts are missing, contact customer support immediately.

8. SPECIFICATIONS

Feature	Detail
Product Dimensions	60L x 40W x 66H cm
Item Model Number	D06-160V00GY
Material	Particleboard, Plush, Felt Cloth
Item Weight	7 Kilograms
Maximum Weight Recommendation	5 Kilograms (for pet use) / 10 Kilograms (general product load)
Number of Layers	4 (adjustable to 3)
Specific Uses	Indoor
Special Features	Padded, Detachable Top, Integrated Cat House, Hanging Toy Ball
Required Assembly	Yes

9. WARRANTY AND SUPPORT

This product is manufactured by Sold by MHSTAR. For any questions, concerns, or support needs regarding your PawHut Pet Stairs and Cat House, please contact our customer service team.

- **Manufacturer:** Sold by MHSTAR
- **Importer:** Aosom Ireland Limited
- **Email Support:** service@aosom.ie
- Please retain your proof of purchase for warranty claims.