

VINGLI VT0MLSR

VINGLI Mirrored Vanity Desk Instruction Manual

Model: VT0MLSR

1. SAFETY INFORMATION

Please read and understand all safety warnings before assembly and use of this product. Failure to follow these instructions may result in injury or damage to the product.

- **Pinching Hazard:** Exercise caution when operating the flip mirror mechanism to avoid pinching fingers.
- **Weight Limit:** The vanity desk is designed to support a maximum weight of 30 lbs on its surface. Do not exceed this limit.
- **Fragile Components:** This product contains mirrored and glass components. Handle with extreme care during assembly and use to prevent breakage and injury.
- **Stability:** Ensure the desk is placed on a flat, stable surface. Do not lean on the desk with excessive force.
- **Children:** Keep children away from the product during assembly. Supervise children when they are near the vanity desk to prevent accidents.

2. PRODUCT OVERVIEW

The VINGLI Mirrored Vanity Desk (Model VT0MLSR) is a versatile furniture piece designed for various uses, including a makeup station, study desk, or office writing desk. It features a sleek, modern design with mirrored surfaces and integrated storage solutions.



Image 2.1: The VINGLI Mirrored Vanity Desk, showcasing its elegant design and mirrored finish.

Key Features:

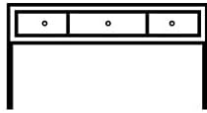
- **Large Storage Space:** Features two side drawers (6.5"L x 11"W x 4.3"H) and one center drawer (13.8"L x 7.1"W x 2.3"H). The center compartment includes dividers for organized storage of small items like lipsticks and makeup brushes.
- **Flip Top Mirror:** A 14.2-inch height mirror easily flips up and down, supported by a heavy-duty lid support hinge. The lid can be adjusted up to 110° for optimal viewing comfort.
- **Multi-functional Design:** Can be used as a vanity, study desk, or bedside table, complementing various room decors with its mirrored finish.
- **Solid Construction:** Legs are made of solid wood, ensuring stability. The table top is constructed from P2 Grade MDF with a mirror finish.

3. SETUP

The VINGLI Mirrored Vanity Desk is designed for straightforward assembly. Most of the unit comes pre-assembled, requiring minimal effort to complete.

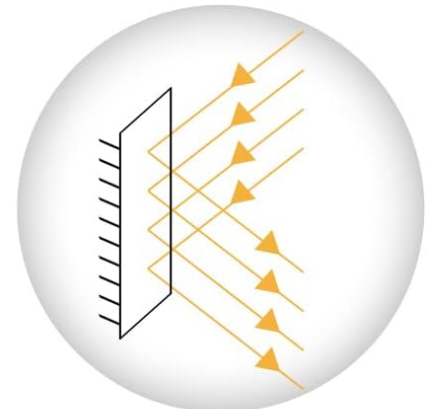
Assembly Steps:

1. **Unpack Components:** Carefully remove all parts from the packaging. Inspect for any damage. Keep packaging materials until assembly is complete.
2. **Attach Legs:** The main body of the desk is largely assembled. Simply screw the legs into the designated attachment points on the underside of the desk. Ensure they are tightened securely.
3. **Attach Knobs:** Screw the crystal knobs onto the drawer fronts.
4. **Position Desk:** Place the assembled vanity desk on a flat, stable surface in your desired location.



Mirrored Table

The simple style and color easily matches any style of furniture



Reflective
Mirrored Surface



Fully Assembled

Image 3.1: The desk features a reflective mirrored surface and is designed for quick assembly.



Image 3.2: Detail of the protective padding on the bottom of the desk legs.

4. OPERATING INSTRUCTIONS

Using the Flip Mirror:

- To open the mirror, gently lift the front edge of the central mirrored panel. The heavy-duty lid support hinge will hold it in place.
- Adjust the mirror to your desired angle, up to 110 degrees, for comfortable viewing.
- To close, gently push the mirror panel down until it rests flush with the desk surface. Ensure fingers are clear of the edges to prevent pinching.



Image 4.1: The flip mirror open, revealing the organized storage compartments beneath.



Image 4.2: Close-up of the durable hinge mechanism for the flip mirror.

Using the Drawers:

- Gently pull the crystal knobs to open the side and center drawers.
- Utilize the dividers in the center drawer for organizing smaller items.
- Push the drawers back in until they are fully closed and flush with the desk surface.

Sleek & Modern Design

The mirrored surface brightens up the space.



Spacious Drawer



Solid Construction



Easy to clean

Image 4.3: A drawer pulled open, showing the internal dividers for organization.



Image 4.4: Close-up of a drawer with its decorative crystal knob.

5. MAINTENANCE

Proper care will ensure the longevity and appearance of your VINGLI Mirrored Vanity Desk.

Cleaning Instructions:

- **Mirrored Surfaces:** Wipe all mirrored and glass surfaces with a dry, soft, lint-free cloth. For stubborn smudges, use a glass cleaner specifically designed for mirrors and apply it to the cloth, not directly to the surface.
- **Frame and Legs:** Wipe the frame and solid wood legs with a dry cloth. Avoid abrasive cleaners or harsh chemicals.
- **General Care:** Avoid placing hot items directly on the mirrored surface. Use coasters or protective pads. Keep the desk away from direct sunlight and excessive moisture to prevent damage.

6. TROUBLESHOOTING

If you encounter any issues with your VINGLI Mirrored Vanity Desk, refer to the following common solutions:

- **Loose Legs/Knobs:** If legs or knobs become loose, gently tighten them with appropriate tools. Do not overtighten.
- **Stiff Drawers:** If drawers are stiff or difficult to open/close, check for any obstructions in the drawer slides. Ensure the desk is on a level surface.
- **Mirror Hinge Issues:** If the flip mirror hinge feels loose or does not hold position, inspect the screws securing the hinge and tighten if necessary. Do not force the mirror.
- **Scratches/Chips:** Due to the mirrored nature of the product, minor scratches or chips may occur with heavy use. Handle with care to minimize such occurrences.

For issues not covered here, please contact VINGLI customer support.

7. SPECIFICATIONS

Feature	Detail
Brand	VINGLI
Model Number	VT0MLSR
Color	Silver
Product Dimensions (L x W x H)	39.4" x 16.5" x 31.1"
Item Weight	33 Pounds
Material	Mirror, Wood (Frame)

Feature	Detail
Number of Drawers	2 (side) + 1 (center)
Side Drawer Size (L x W x H)	6.5" x 11" x 4.3"
Center Drawer Size (L x W x H)	13.8" x 7.1" x 2.3"
Flip Mirror Height	14.2 inches
Required Assembly	No (minimal assembly required for legs/knobs)
Product Care Instructions	Wipe with Dry Cloth

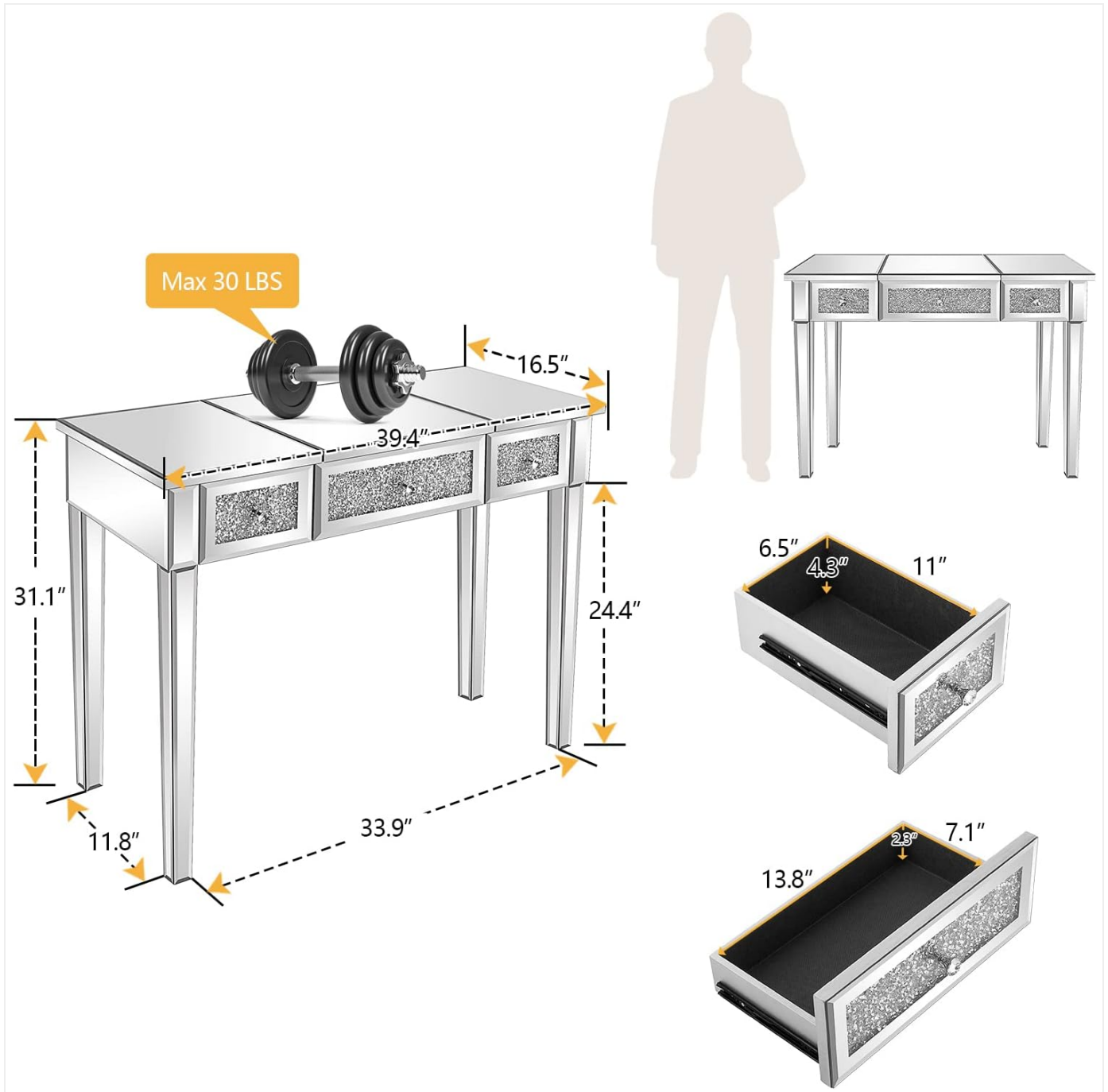


Image 7.1: Detailed dimensions of the vanity desk and its drawers.

8. WARRANTY AND SUPPORT

Warranty Information:

This VINGLI Mirrored Vanity Desk comes with a **Worry-Free 24-Month Quality Warranty** covering manufacturing defects. Additionally, a **30-Day Free Return** policy is offered for your peace of mind.



The image features a promotional banner for the VINGLI Mirrored Vanity Desk. At the top left, a white cube icon is followed by the text "Strong Packaging" in white on an orange background. To the right is a circular "2 YEAR WARRANTY" badge with a green center and orange border. Below this, the phrase "Buy with Confidence" is written in a large, bold, black serif font. Three circular icons with dashed orange borders are arranged horizontally: a shield with a checkmark, a square with diagonal lines, and a water drop above two horizontal lines. Each icon is labeled below: "Stable & safe", "Strong & durable", and "Waterproof". At the bottom, a 3D rendering of the vanity desk is shown on the left, and a brown cardboard box is on the right. A thin orange line connects the top of the desk to the top of the box, indicating the product's packaging.

Image 8.1: Packaging details and warranty badge for the product.

Customer Support:

For any questions, concerns, or warranty claims, please contact VINGLI customer support through the retailer's platform or visit the official VINGLI website for contact details.

9. ADDITIONAL RESOURCES

Product Demonstration Video:

Video 9.1: A detailed video showcasing the features, storage, and overall design of the VINGLI Mirrored Vanity Desk.

