



Manuals.plus /

› Sunrosa /

› Sunrosa Pivot Tub Shower Door 34x58 Inch Installation and User Manual

Sunrosa B

Sunrosa Pivot Tub Shower Door 34x58 Inch Installation and User Manual

Model: B

1. INTRODUCTION

This manual provides detailed instructions for the safe installation, proper operation, and routine maintenance of your Sunrosa Pivot Tub Shower Door. Designed for bathtubs, this model features a frameless tempered glass panel, a matte black finish, and an integrated towel bar. Please read all instructions carefully before beginning installation or use.



Image 1: Sunrosa Pivot Tub Shower Door, 34 inches wide by 58 inches high, with a matte black frame and clear tempered glass, installed on a bathtub in a contemporary bathroom setting.

2. SAFETY INFORMATION

- Always wear appropriate personal protective equipment, including safety glasses and gloves, during installation.
- Handle glass panels with extreme care. Tempered glass, while strong, can shatter if struck at the edges or corners.
- Ensure the installation surface (wall) is structurally sound and capable of supporting the weight of the shower door.
- Use only the provided hardware or suitable alternatives that meet safety standards.
- Do not overtighten screws, as this can damage components or the wall.
- Keep children and pets away from the installation area.
- If you are unsure about any step, consult a qualified professional.

3. PACKAGE CONTENTS

Verify that all components are present and undamaged before beginning installation.

Item	Description	Quantity
Glass Panel	1/4 inch (6mm) Tempered Glass	1
Wall Profile	Anodized Aluminum (Matte Black)	1
Towel Bar	Matte Black Finish	1
Bottom Seal	Clear PVC Water Seal	1
Hardware Kit	Screws, Wall Anchors, Gaskets, Caps	1 Set

4. TOOLS REQUIRED

- Measuring Tape
- Pencil
- Level
- Drill (with appropriate drill bits for tile/masonry)
- Screwdriver (Phillips head)
- Silicone Sealant (mildew-resistant, clear)
- Caulking Gun
- Utility Knife
- Safety Glasses

5. SETUP AND INSTALLATION

Before starting, ensure your bathtub and surrounding wall area are clean and dry. It is recommended to have two people for installation due to the weight and size of the glass panel.

5.1 Pre-Installation Measurements

Carefully measure your wall and bathtub dimensions to ensure proper fit. The door is designed for a width of 34 inches and a height of 58 inches.

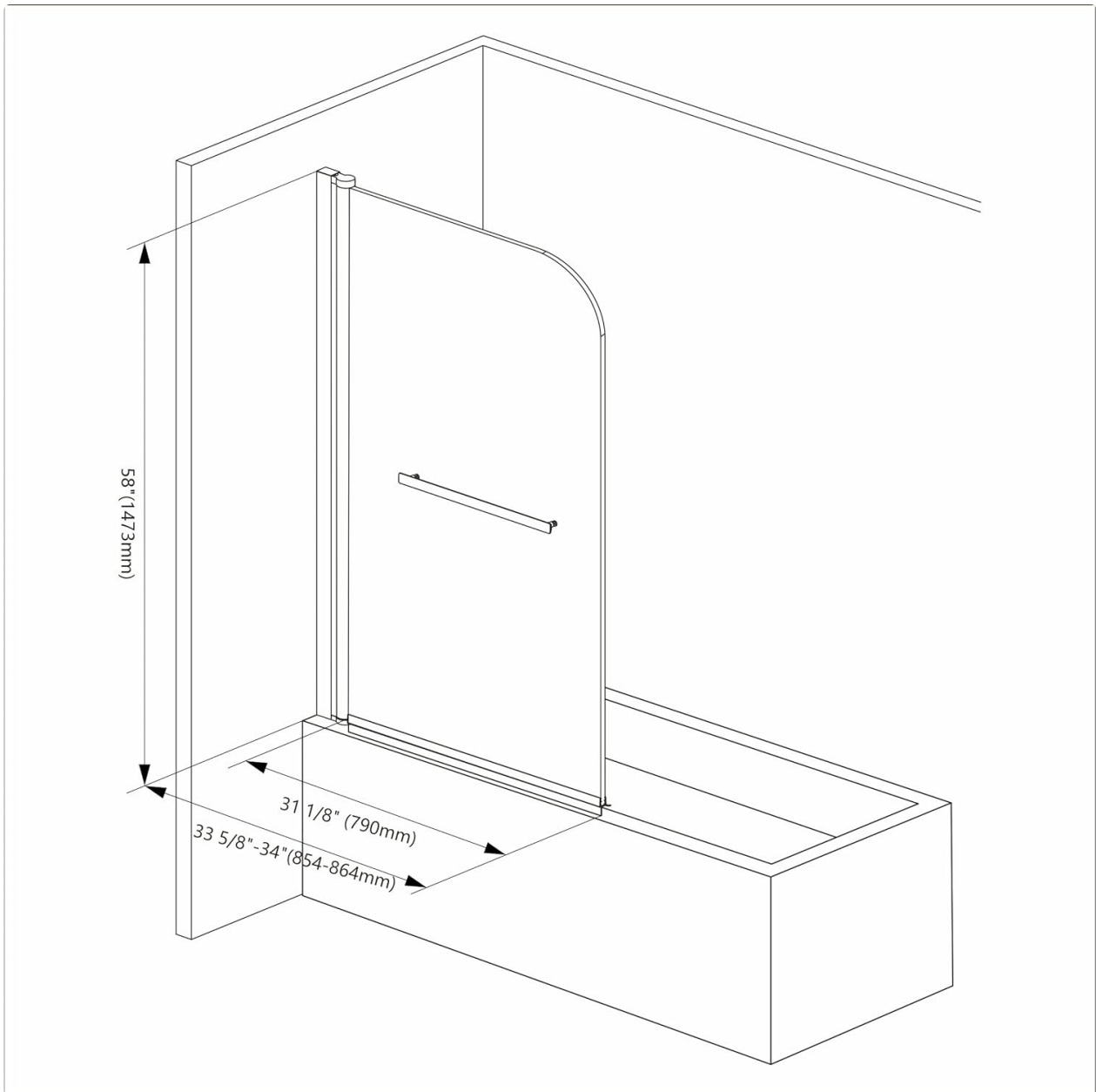


Image 2: A detailed technical drawing showing the overall dimensions of the shower door: 34 inches (854-864mm) in width and 58 inches (1473mm) in height.

5.2 Reversible Installation

The Sunrosa Pivot Tub Shower Door offers reversible installation, allowing you to customize the opening direction to best suit your bathroom layout.

PREMIUM CLEAR TEMPERED GLASS

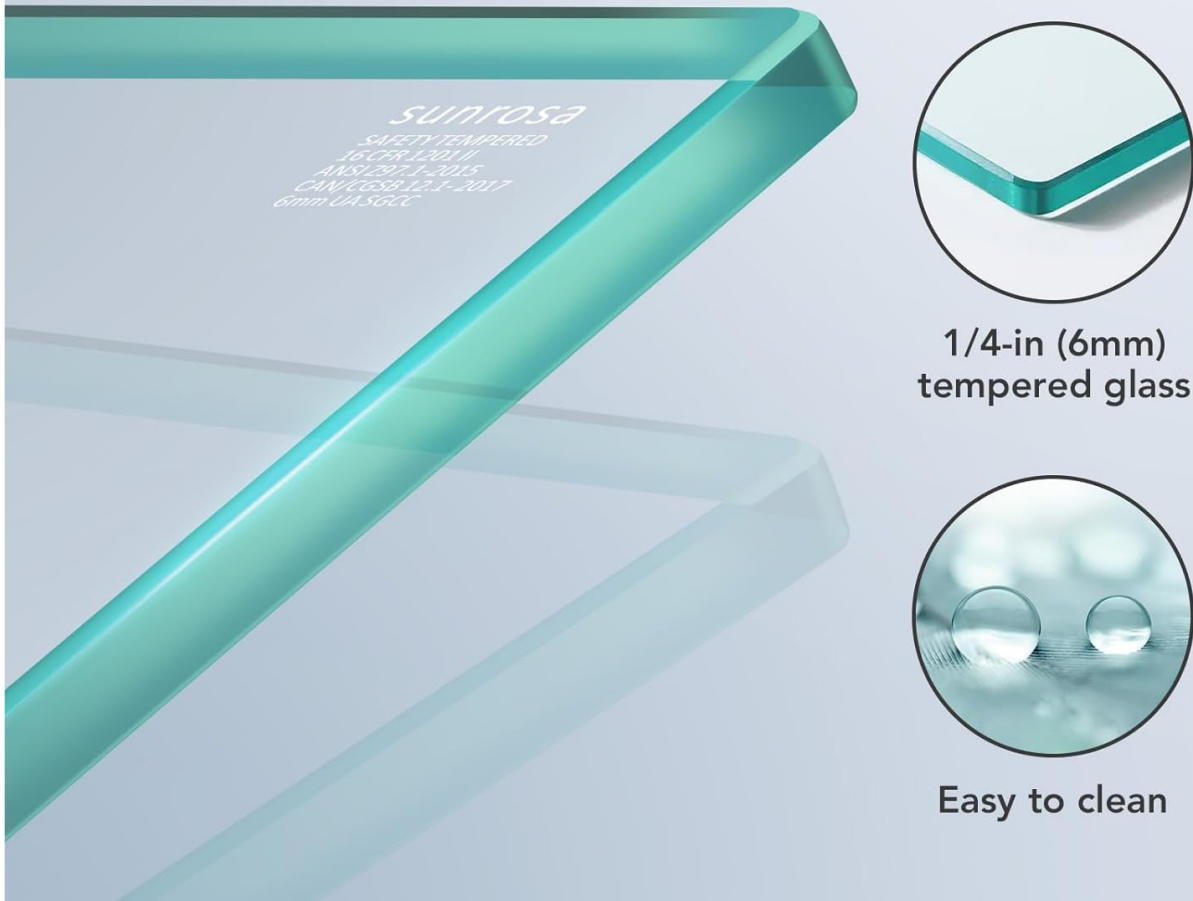


Image 3: An overhead diagram illustrating how the shower door can be installed to open either to the left or right, offering flexible configuration.

5.3 Step-by-Step Installation

1. **Mark Wall Profile Position:** Place the wall profile against the wall at the desired installation height, ensuring it is level. Mark the drilling points with a pencil.
2. **Drill Holes:** Using an appropriate drill bit for your wall material, drill holes at the marked positions. Insert wall anchors into the drilled holes.
3. **Secure Wall Profile:** Attach the wall profile to the wall using the provided screws. Ensure it is firmly secured and level.
4. **Attach Pivot Mechanism:** The pivot mechanism is integrated into the wall profile and the glass panel. Carefully align the glass panel with the wall profile's pivot points.



Image 4: Detail of the pivot mechanism in matte black, showing how the door rotates for smooth opening and closing.

- 5. Mount Glass Panel:** With assistance, carefully lift and insert the glass panel into the pivot mechanism on the wall profile. Ensure it is seated correctly and pivots smoothly.
- 6. Install Bottom Seal:** Slide the clear bottom seal onto the lower edge of the glass panel. Trim any excess length with a utility knife to fit the bathtub edge.



Image 5: A close-up of the transparent bottom seal designed to prevent water from escaping the tub area.

- 7. Install Towel Bar:** Attach the towel bar to the designated holes on the glass panel using the provided hardware.



Image 6: A close-up view of the matte black towel bar integrated into the shower door, providing convenient towel access.

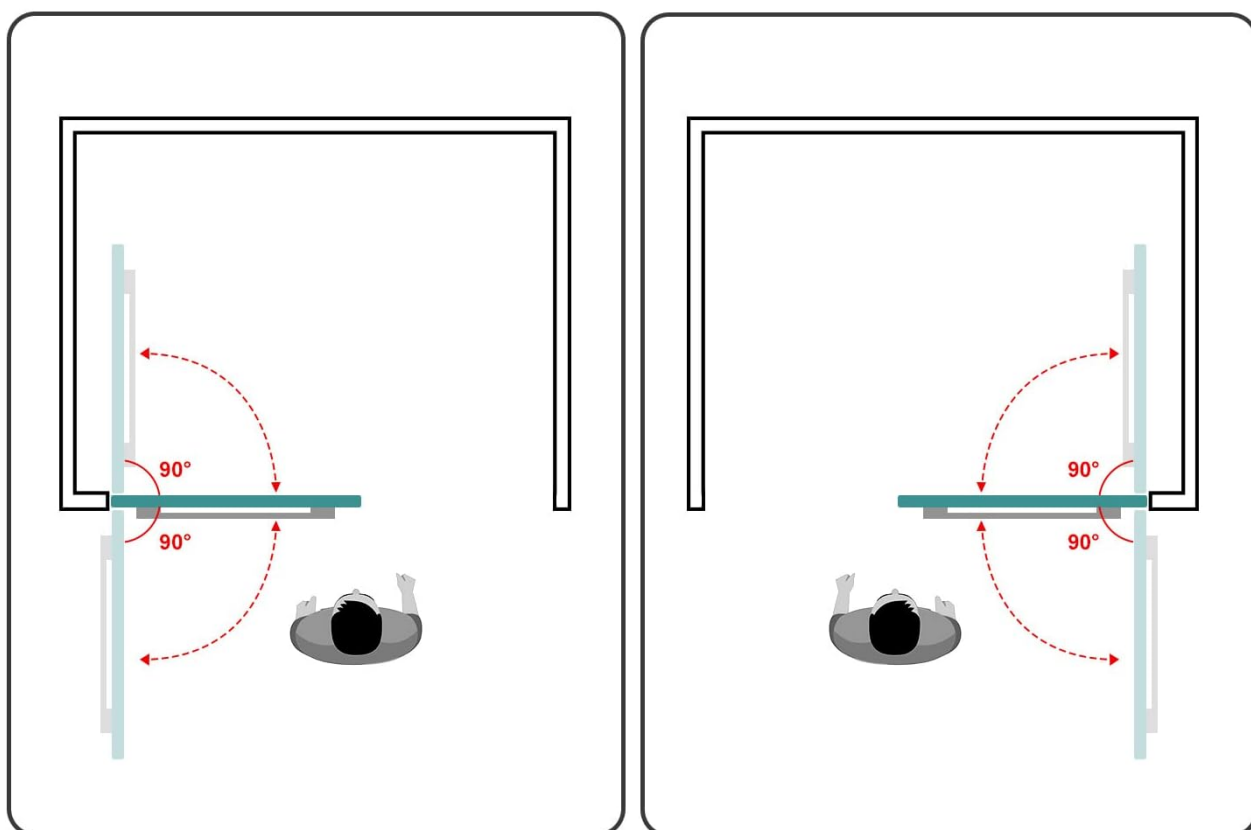
- 8. Apply Silicone Sealant:** Apply a continuous bead of mildew-resistant silicone sealant along the exterior

joint where the wall profile meets the wall and along the bottom edge of the wall profile where it meets the bathtub. Allow the sealant to cure completely (typically 24 hours) before using the shower.

6. OPERATING INSTRUCTIONS

The Sunrosa Pivot Tub Shower Door is designed for smooth and quiet operation. To open or close the door, gently push or pull the glass panel. The pivot mechanism allows the door to swing inwards or outwards, depending on your installation preference. Ensure there are no obstructions in the path of the door's swing.

REVERSIBLE INSTALLATION



Customize the right shower door opening and closing direction for you.

Image 7: This image highlights the premium 1/4-inch (6mm) thick tempered glass, featuring the Sunrosa safety certification and demonstrating its easy-to-clean surface.

7. MAINTENANCE AND CLEANING

Regular cleaning and maintenance will ensure the longevity and appearance of your shower door.

- **Glass Cleaning:** For daily cleaning, wipe the glass with a soft cloth or squeegee after each use to prevent water spots. For deeper cleaning, use a non-abrasive glass cleaner. Avoid cleaners containing harsh chemicals, abrasives, or scouring pads, as these can damage the glass surface or protective coatings.
- **Frame Cleaning:** Clean the matte black aluminum frame with a soft, damp cloth and mild soap. Rinse thoroughly and dry immediately to prevent water spots or discoloration. Do not use abrasive cleaners or

solvents.

- **Seal Maintenance:** Periodically inspect the bottom seal for wear or damage. Replace if necessary to maintain water tightness. Clean seals with mild soap and water.
- **Hardware Check:** Occasionally check all screws and fasteners to ensure they are tight. Do not overtighten.

8. TROUBLESHOOTING

- **Water Leakage:**
 - Check the bottom seal for proper installation and condition. Replace if worn or damaged.
 - Inspect silicone sealant along the wall profile and bathtub edge. Reapply if gaps or cracks are present.
- **Door Not Closing Properly:**
 - Ensure the wall profile is level and securely fastened.
 - Check the pivot mechanism for any obstructions or damage.
- **Squeaking Noise During Operation:**
 - Apply a small amount of silicone-based lubricant to the pivot points if necessary. Avoid oil-based lubricants.

9. SPECIFICATIONS

Feature	Detail
Brand	Sunrosa
Model Number	B
Dimensions (W x H)	34 inches x 58 inches (0.24 x 34.02 x 57.99 inches product dimensions)
Material	Anodized Aluminum, Tempered Glass
Finish	Matte Black
Glass Thickness	1/4 inch (6mm)
Item Weight	53.9 Pounds
Installation Method	Freestanding (Pivot)
Assembly Required	Yes

10. WARRANTY AND SUPPORT

Sunrosa is committed to customer satisfaction. If you are not completely satisfied with your product or receive a defective item, please do not hesitate to contact us. Our customer support team is available to assist you with any questions or concerns regarding your Sunrosa Pivot Tub Shower Door.

For support, please refer to the contact information provided with your purchase or visit the official Sunrosa website.

