

Manuals+

[Q & A](#) | [Deep Search](#) | [Upload](#)

[manuals.plus](#) /

> [CANMEIJIA](#) /

> [CANMEIJIA Modern Sputnik Chandelier \(Model CMJ-6L-B-01\) Instruction Manual](#)

CANMEIJIA CMJ-6L-B-01

CANMEIJIA Modern Sputnik Chandelier (Model CMJ-6L-B-01) Instruction Manual

Your guide to safe and efficient use.

Introduction	Safety Information	Package Contents	Setup & Installation	Operation	Maintenance
	Troubleshooting	Specifications	Warranty & Support		

1. INTRODUCTION

Thank you for choosing the CANMEIJIA Modern Sputnik Chandelier. This instruction manual provides essential information for the safe installation, operation, and maintenance of your new lighting fixture. Please read this manual thoroughly before beginning installation and retain it for future reference.



Figure 1.1: The CANMEIJIA Modern Sputnik Chandelier (Model CMJ-6L-B-01) in a living space.

This 6-light ceiling-mount fixture features a modern, minimalist design with adjustable arms, suitable for various indoor settings such as living rooms, dining rooms, bedrooms, and kitchens. It is designed for use with E26 base bulbs (not included).



WIDE APPLICATION

Sputnik light fixture be it in your entryway, bedroom, dining room, living room, corridors, hallways, basements, balconies, attics, bars, offices, farmhouses, children's rooms, etc.

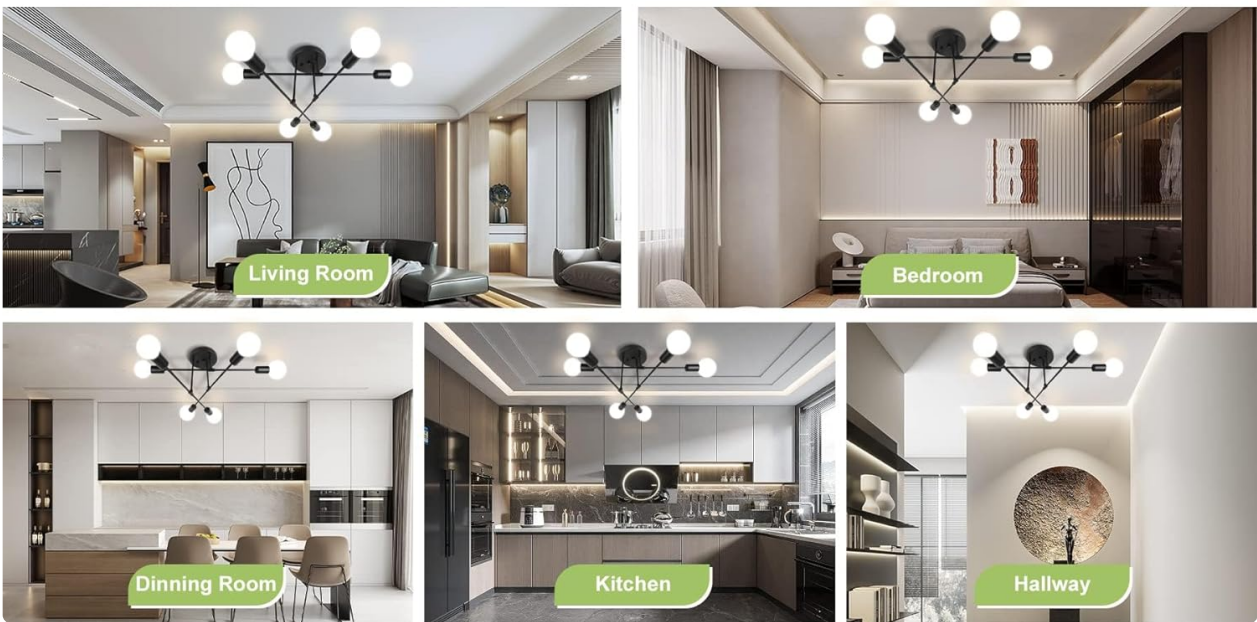


Figure 1.2: Examples of the chandelier's wide application in different rooms.

2. SAFETY INFORMATION

WARNING: RISK OF ELECTRIC SHOCK. Disconnect power at the circuit breaker or fuse box before installation or servicing. Improper installation can result in electric shock or fire.

- Always consult a qualified electrician if you are unsure about the installation process.
- Ensure the electrical supply to the fixture is disconnected before handling.
- Do not exceed the maximum wattage specified for the bulbs.
- This fixture is intended for indoor use only.
- Handle glass components (bulbs) with care to prevent breakage.
- Keep packaging materials away from children.

3. PACKAGE CONTENTS

Carefully unpack the box and ensure all components are present and undamaged. If any parts are missing or damaged, do not attempt to assemble or install the fixture. Contact customer support for assistance.

- Chandelier body with pre-wired arms
- Mounting plate
- Wire nuts
- Mounting screws
- Decorative cap nuts

Note: Light bulbs are **NOT** included and must be purchased separately.

4. SETUP & INSTALLATION

Follow these steps for proper installation. It is recommended to have two people for installation.

1. **Prepare for Installation:** Turn off power at the main circuit breaker. Ensure the power is completely off before proceeding.
2. **Attach Mounting Plate:** Separate the mounting plate from the fixture by unscrewing the two screw nuts. Secure the mounting plate to the ceiling junction box using the provided screws.
3. **Assemble Fixture Arms:** The chandelier arms are designed to be adjustable. Gently rotate the arms to your desired configuration. Ensure all connections are secure.
4. **Connect Wiring:** Carefully connect the fixture's wires to your household electrical wires. Connect the black wire from the fixture to the black (live) wire from the ceiling using a wire nut. Connect the white wire from the fixture to the white (neutral) wire from the ceiling using a wire nut. Connect the ground wire (copper or green) from the fixture to the ground wire from the ceiling. Ensure all connections are tight and secure.
5. **Mount the Fixture:** Carefully lift the fixture and align the holes in the canopy with the screws on the mounting plate. Secure the fixture in place using the decorative cap nuts.
6. **Install Bulbs:** Screw E26 base bulbs (Max 60W each, not included) into each socket.

Installation steps

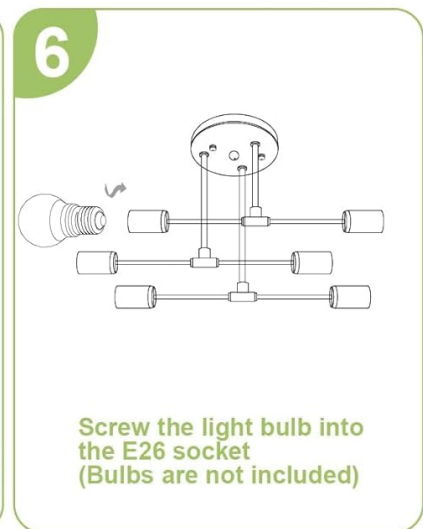
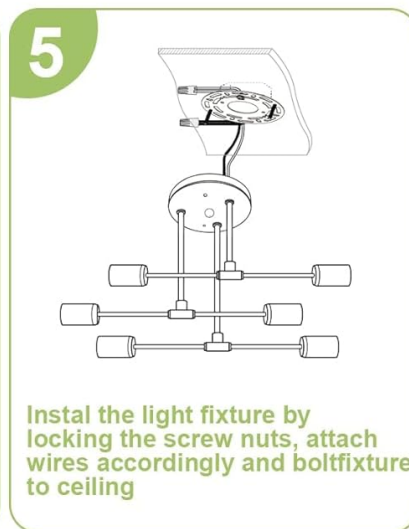
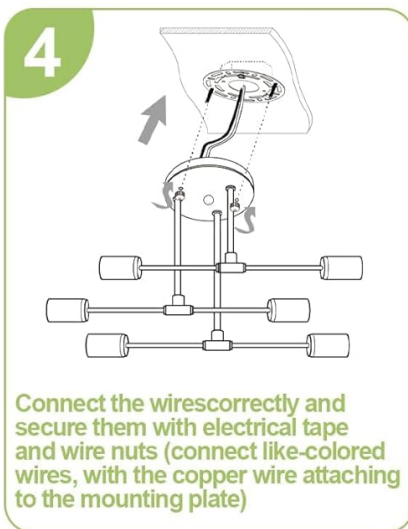
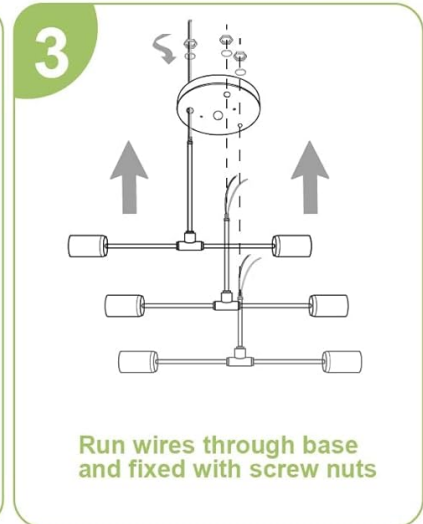
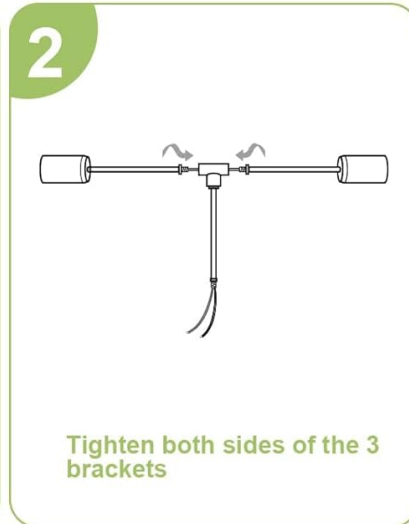
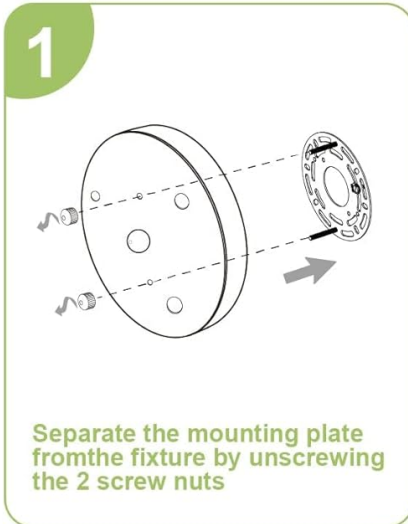


Figure 4.1: Step-by-step installation guide for the chandelier.



Figure 4.2: Detail of the 180° rotating solid joint and E26 bulb base.

Your browser does not support the video tag.

Video 4.1: An overview of the 6-light Sputnik fixture, demonstrating its design and features relevant to installation.

5. OPERATION

Once installed and bulbs are in place, restore power at the circuit breaker. The chandelier can be operated using a standard wall switch. For dimming functionality, ensure you use dimmable E26 bulbs and a compatible dimmer switch (not included).

The arms of the chandelier can be rotated 360 degrees horizontally, allowing you to adjust the light direction and customize the fixture's appearance to suit your preference.

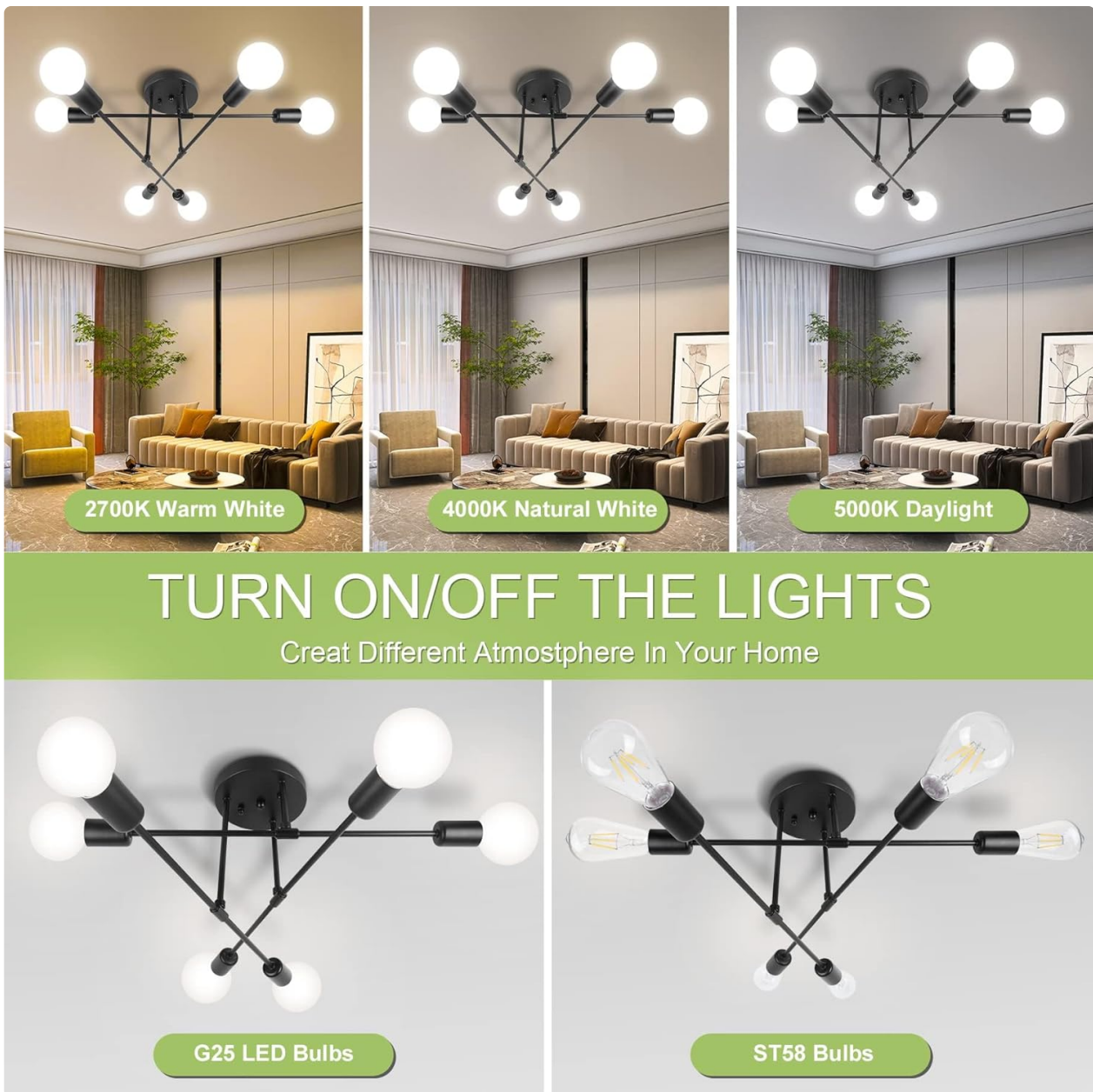


Figure 5.1: The chandelier can create different atmospheres depending on the color temperature of the installed E26 bulbs.

Your browser does not support the video tag.

Video 5.1: A demonstration of the Modern Sputnik Chandelier's appearance and functionality.

6. MAINTENANCE

- **Cleaning:** To clean the fixture, ensure power is disconnected. Use a soft, dry cloth to wipe down the metal surfaces. Avoid abrasive cleaners or solvents that may damage the finish.
- **Bulb Replacement:** Always disconnect power before replacing bulbs. Allow bulbs to cool completely before touching. Replace with E26 base bulbs, ensuring the wattage does not exceed 60W per light.

7. TROUBLESHOOTING

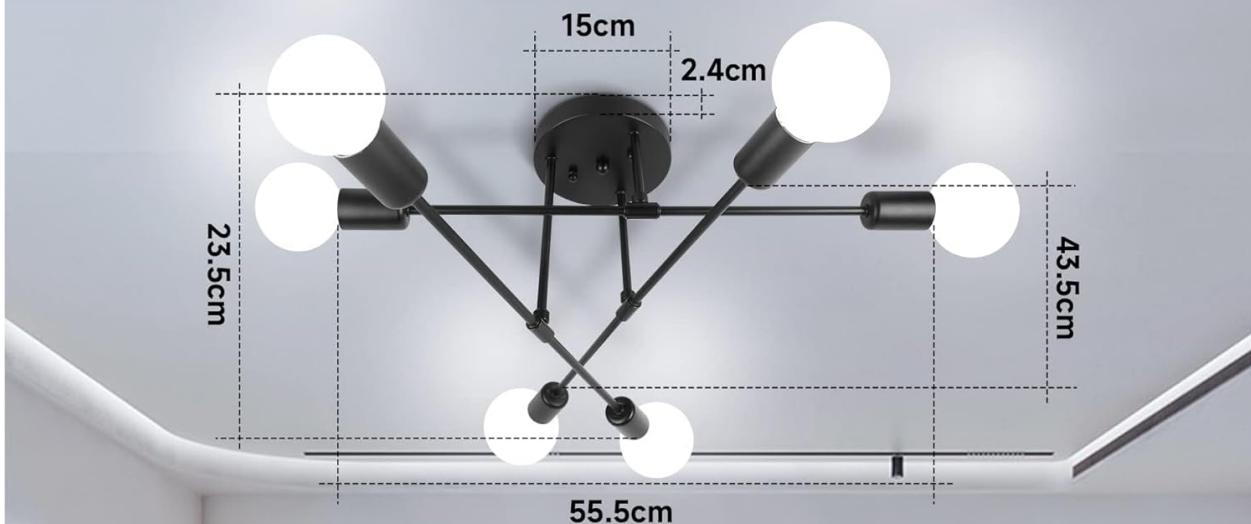
Problem	Possible Cause	Solution
---------	----------------	----------

Problem	Possible Cause	Solution
Light does not turn on	No power supply, loose wiring, faulty bulb, faulty switch.	Check circuit breaker. Ensure all wires are securely connected. Replace bulb. Test switch.
Light flickers	Loose bulb, incompatible dimmer, loose wiring.	Tighten bulb. Ensure dimmer is compatible with bulbs. Check wiring connections.
Fixture is unstable	Mounting plate not securely fastened.	Ensure mounting plate is firmly attached to the junction box and fixture is securely fastened to the plate.

8. SPECIFICATIONS

Feature	Detail
Brand	CANMEIJIA
Model Name	CANMEIJIA 6Light Chandelier
Model Number	CMJ-6L-B-01
Color	Black
Material	Metal
Style	Modern
Product Dimensions	25.51"L x 5.9"W x 9.44"H
Item Weight	2.18 pounds
Voltage	120 Volts
Bulb Base	E26
Max Wattage per Bulb	60 watts
Number of Light Sources	6
Installation Type	Semi Flush Mount
Room Type	Dining Room, Kitchen, Living Room, Bedroom, Entryway, Hallway, etc.
Special Feature	Energy Efficient
Assembly Required	Yes

PRODUCT DIMENSIONS



E26 BASE RECOMMENDED BULBS

(BULBS NOT INCLUDED)



canmeijia



Base Type:
Standard E26 Socket



Working Voltage:
AC85-265V,50/60HZ



Dimensions:
25.51x9.44x5.9 inches



**Dimmable &
Non-Dimmable**

Figure 8.1: Detailed product dimensions and bulb recommendations.

Fiche d'information sur le produit

RÈGLEMENT DÉLÉGUÉ (UE) 2019/2015 DE LA COMMISSION en ce qui concerne l'étiquetage énergétique des sources lumineuses

Nom du fournisseur ou marque commerciale: Guangzhou Canmei Lighting Co., Ltd.

Adresse du fournisseur: eVatmaster Consulting GmbH, Raiffeisenstraße 2 B11 63110 Rodgau, DE

Référence du modèle: CMI-XDD-001-15W

Type de source lumineuse:

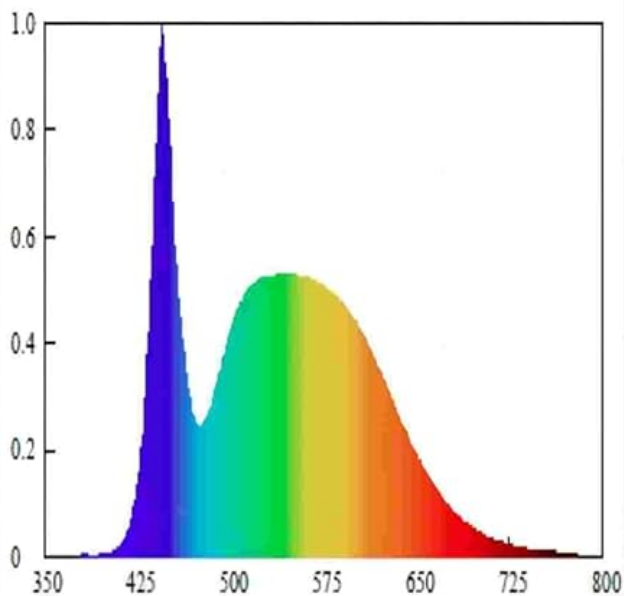
Technologie d'éclairage utilisée:	LED	Non-dirigée ou dirigée:	DLS
Type de culot de la source lumineuse (ou d'autre interface électrique)	N/A		
Secteur ou non secteur:	MLS	Source lumineuse connectée (SLC):	Non
Source lumineuse réglable en couleur:	Non	Enveloppe:	-
Source lumineuse à luminance élevée:	Non		
Protection anti-éblouissement:	Non	Utilisation avec un variateur:	Non

Paramètres du produit

Paramètre	Valeur	Paramètre	Valeur
-----------	--------	-----------	--------

Paramètres généraux du produit:

Consommation d'énergie en mode marche (kWh/1000 h), arrondi à l'entier supérieur le plus proche	15	Classe d'efficacité énergétique	F
Flux lumineux utile (φ _{use}), avec indication qu'il se réfère au flux dans une sphère (360°), dans un cône large (120°) ou dans un cône étroit (90°)	1 220 sur Cône étroit (90°)	Température de couleur proximale, arrondie à la centaine de K la plus proche, ou la plage de températures de couleur proximales	3 000 ou 4 000 ou 6 000 ou 6 500



		qui peuvent être réglées	
Puissance en mode «marche» (P_{on}), exprimée en W	15,0	Puissance en mode veille (P_{vb}), exprimée en W et arrondie à la deuxième décimale	0,00
Puissance en mode veille (P_{ve}), pour SLIC, exprimée en W et arrondie à la deuxième décimale	-	Indice de rendu des couleurs, arrondi à l'entier le plus proche, ou la plage	80

Page 1 / 4

		de valeurs d'IRC qui peuvent être réglées	
Dimensions extérieures en mm, sans appareillage de commande séparé, éléments de régulation de l'éclairage ni éléments sans fonction d'éclairage (le cas échéant)	Hauteur	87	Distribution de la puissance spectrale dans la plage de 250 nm à 800 nm, à pleine charge
	Largeur	87	
	Profondeur	102	
Voir l'image de la page précédente			
Déclaration de puissance équivalente ^{a)}	-	Si oui, puissance équivalente (W)	-
		Coordonnées chromatiques (x et y)	0,314 0,342
Paramètres pour les sources lumineuses dirigées:			
Intensité lumineuse de crête (cd)	8 050	Angle de faisceau en degrés, ou la gamme d'angles de faisceau qui peuvent être réglés	19
Paramètres pour les sources lumineuses LED et OLED:			
R9 valeur de l'indice de rendu des couleurs	14	Facteur de survie	1,00
Facteur de conservation du flux lumineux	0,95		
Paramètres pour les sources lumineuses secteur LED et OLED:			
Facteur de déphasage (cos ϕ 1)	0,70	Constance des couleurs dans les ellipses de MacAdam	4
Déclaration qu'une source lumineuse LED remplace une source lumineuse fluorescente sans ballast intégré d'une puissance en watts particulière	- ^{b)}	Si oui, déclaration relative au remplacement (W)	-
Mesure du papillotement (Pst LM)	0,0	Mesure de l'effet stroboscopique (SVM)	0,0

^{a)},-: sans objet;

^{b)},-: sans objet;

Modèle mis sur le marché de l'Union du 07/03/2022



Numéro d'enregistrement EPREL: 1512569

<https://eprel.ec.europa.eu/qr/1512569>

Fournisseur: eVatmaster Consulting GmbH (Mandataire) Site web:

Service après-vente:

Nom: eVatmaster Consulting GmbH

Site web:

Courriel: contact@evatmaster.com

Téléphone: 49061062699873

Adresse:

Raiffeisenstraße 2 B11 63110 Rodgau
Allemagne

Figure 8.2: Energy label for the chandelier. For more details, refer to the official EPREL database [EPREL Database](#).

9. WARRANTY & SUPPORT

For warranty information or technical support, please contact CANMEIJIA customer service. Keep your purchase receipt as proof of purchase. Contact details can typically be found on the product packaging or the official CANMEIJIA website.

