

Manuals+

[Q & A](#) | [Deep Search](#) | [Upload](#)

manuals.plus /

- > [Aquor](#) /
- > [Aquor House Hydrant V1+ Frost Free Outdoor Faucet User Manual](#)

Aquor HHP002

Aquor House Hydrant V1+ User Manual

Model: HHP002

Brand: Aquor

INTRODUCTION

This manual provides detailed instructions for the installation, operation, maintenance, and troubleshooting of your Aquor House Hydrant V1+ outdoor faucet. Designed for durability and ease of use, the Aquor House Hydrant offers a modern, frost-free solution for outdoor water access. Please read this manual thoroughly before installation and use to ensure proper function and longevity of your product.

Your browser does not support the video tag.

Video: Introduction to the Aquor House Hydrant. This video provides a general overview of the product's features and benefits.

SETUP AND INSTALLATION

The Aquor House Hydrant V1+ is designed for straightforward installation, suitable for both DIY enthusiasts and professional plumbers. Proper installation is crucial for optimal performance and frost protection.

Choosing the Right Stem Length and Installation Depth

Before installation, determine the appropriate stem length based on your wall type and plumbing connection. The V1+ model (2-inch stem) is designed for a 3-5/8 inch installation depth, typically for 2x4 wall framing.

Choose the Right Size

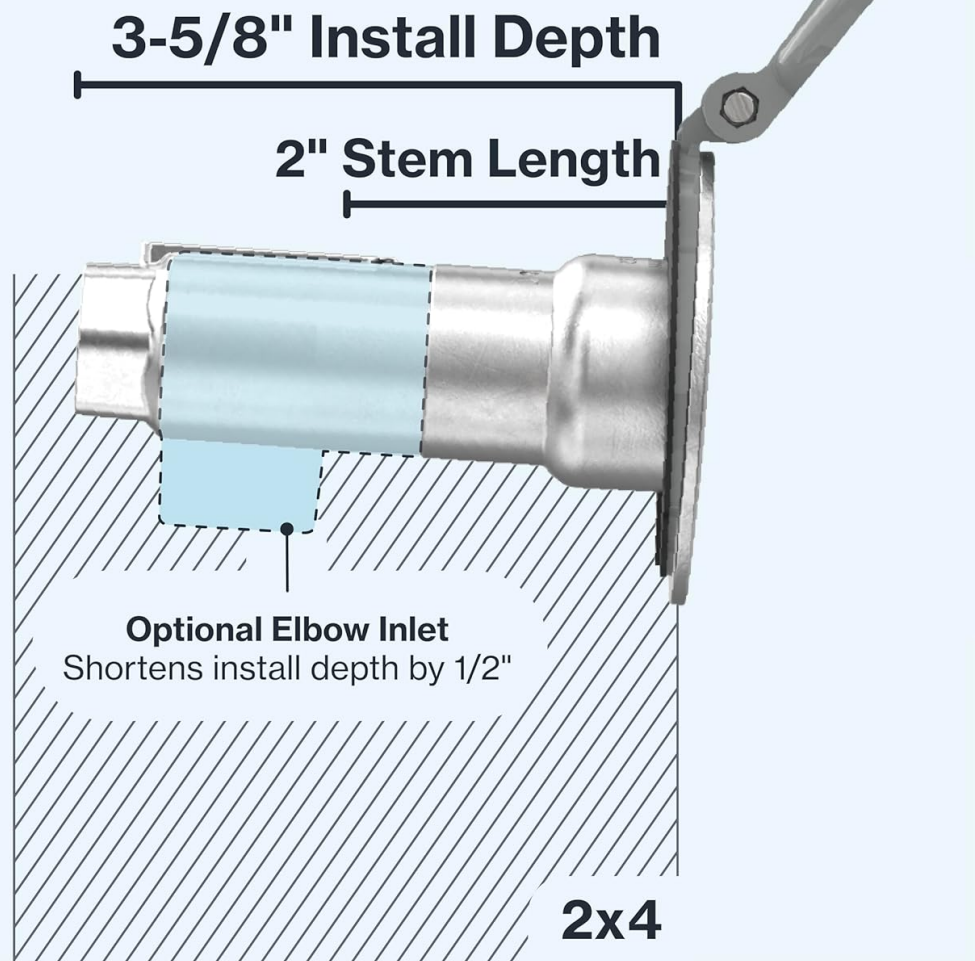


Image: Diagram illustrating the 2-inch stem length and 3-5/8 inch installation depth for the Aquor House Hydrant V1+. This helps in selecting the correct hydrant size for your wall structure.

Plumbing Connection Options

Aquor hydrants support various plumbing connections. The standard V1+ includes a 1/2 inch NPT straight inlet. Other inlet options, such as 90° elbow or PEX crimp, are available separately to accommodate different plumbing configurations.

Your browser does not support the video tag.

Video: *Aquor Inlet Install: NPT to Push-Fit Made Easy.* This video demonstrates how to install the NPT to Push-Fit inlet for your Aquor hydrant.

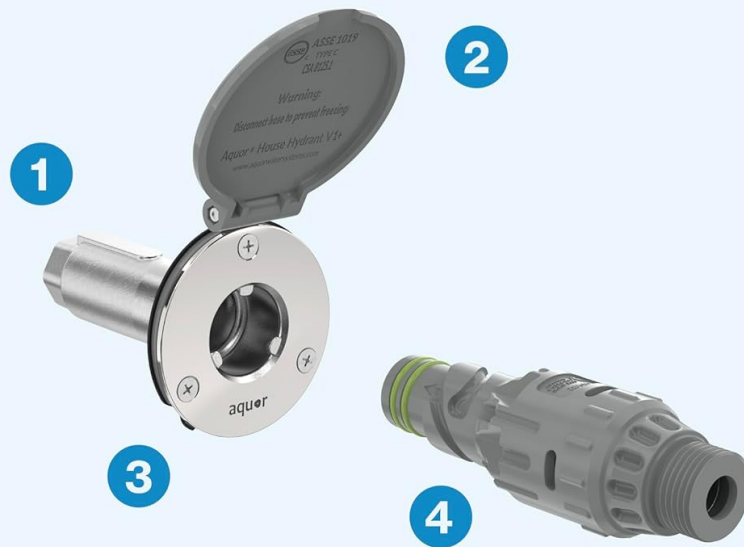
Your browser does not support the video tag.

Video: *Aquor Inlet Install: PEX Crimp.* This video shows the process of installing the PEX crimp inlet for your Aquor hydrant.

Installation Steps Overview

1. **Prepare the Opening:** Ensure the wall opening is appropriately sized for the hydrant body.
2. **Connect Plumbing:** Attach the chosen inlet (e.g., 1/2 inch NPT straight inlet) to your existing plumbing.
3. **Mount the Hydrant:** Secure the hydrant to the exterior wall using the provided mounting screws.
4. **Install Debris Cover:** Attach the slate gray debris cover to the hydrant faceplate.

What's Included



1 House Hydrant V1+
with 1/2" NPT Inlet

2 Polymer Debris Cover

3 x3 Mounting Screws

4 Hose Connector (CN-VB2)

Image: Diagram detailing the components included with your Aquor House Hydrant V1+, such as the hydrant body, debris cover, mounting screws, and hose connector.

OPERATING INSTRUCTIONS

The Aquor House Hydrant V1+ features a quick-connect system for effortless water access.

Connecting Your Hose

- 1. Attach Hose Connector:** Thread the wide grip vacuum breaker hose connector (included) onto your garden hose.
- 2. Align and Insert:** Align the grooves on the hose connector with the nibs on the hydrant.
- 3. Push and Twist:** Push the connector firmly into the hydrant and twist clockwise until it locks into place. Water will begin to flow instantly.

As Easy as 1, 2, 3



Image: A visual guide demonstrating the three simple steps to connect and disconnect your hose from the Aquor House Hydrant V1+.

Your browser does not support the video tag.

Video: Aquor House Hydrant V1+, Effortless Outdoor Water Access. This video showcases the ease of connecting and using the V1+ hydrant.

Disconnecting Your Hose

To disconnect, simply twist the hose connector counter-clockwise and pull it out. The hydrant will automatically drain and seal, preparing it for frost protection.

MAINTENANCE

The Aquor House Hydrant V1+ is designed to be burst-proof and largely maintenance-free, especially regarding winterization.

Frost Protection and Winterization

The unique design of the Aquor House Hydrant automatically drains and seals when the hose connector is removed. This eliminates the need for traditional foam covers or manual draining, providing superior frost protection.

- Always disconnect your hose from the hydrant when not in use, especially during freezing temperatures, to

allow the hydrant to drain properly.

- Ensure the debris cover is closed when the hydrant is not in use to prevent foreign objects from entering.

General Care

- Periodically inspect the hose connector's O-rings for wear. If they appear dry or cracked, apply a small amount of silicone grease or replace them to maintain a leak-free seal.
- Clean the exterior of the hydrant with a soft cloth and mild soap as needed. Avoid abrasive cleaners that could damage the finish.

TROUBLESHOOTING

If you encounter any issues with your Aquor House Hydrant V1+, refer to the common troubleshooting tips below.

Problem	Possible Cause	Solution
No water flow when connected	Hose connector not fully engaged.	Ensure the hose connector is pushed in firmly and twisted clockwise until it locks.
Water leaking from connection point	Worn or damaged O-rings on hose connector.	Inspect O-rings on the hose connector. Replace if worn or damaged. Apply silicone grease if dry.
Water dripping from hydrant after disconnection	Normal residual draining.	A small amount of water may trickle out as the hydrant self-drains. This is normal. Ensure the hose is fully disconnected.
Hydrant appears frozen	Hose left connected during freezing temperatures.	Always disconnect the hose when not in use, especially in freezing conditions, to allow the hydrant to drain. Do not attempt to force the connection if frozen. Allow to thaw naturally.

SPECIFICATIONS

Key technical specifications for the Aquor House Hydrant V1+ (Model HHP002):

- **Model Name:** HHP002
- **Size:** 2 Inch V1+
- **Material:** 316L Stainless Steel, Military-Grade Polymer
- **Color:** Gray
- **Mounting Type:** Wall Mount
- **Installation Type:** Single Hole
- **Hole Count:** 1
- **Number of Handles:** 1
- **Spout Height:** 3.44 Inches
- **Spout Reach:** 3.88 Inches
- **Item Weight:** 9.6 ounces
- **Product Dimensions:** 3.63"D x 3.13"W x 3.48"H
- **Special Feature:** Lead Free, Frost Proof, Anti-Siphon Valve (integrated into hose connector)
- **Certifications:** ASSE 1019C, ASME A112.18.1, CSA B125.1, AS/NZS3718

Technical Specs

2 inch

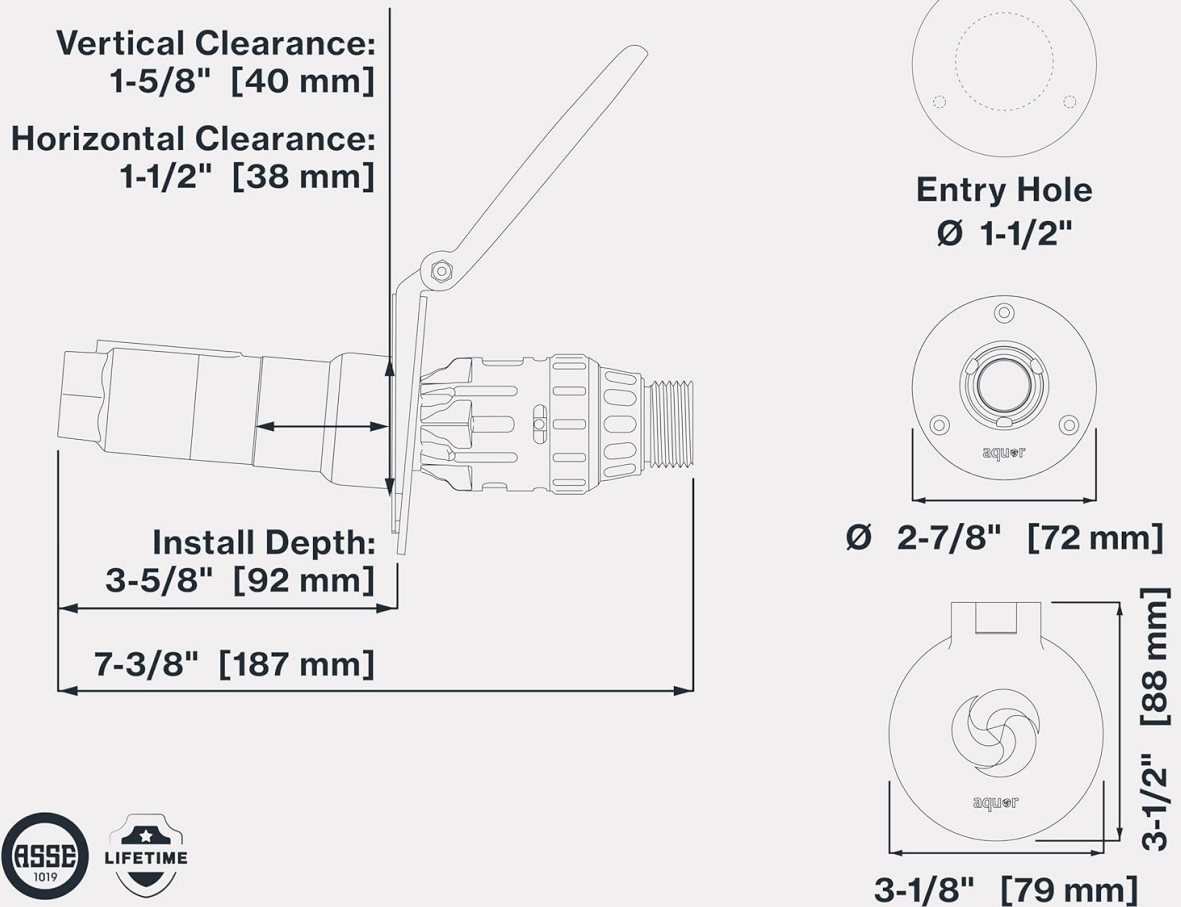


Image: Detailed technical specifications and dimensions of the Aquor House Hydrant V1+, including vertical and horizontal clearance, install depth, and entry hole diameter.

Your browser does not support the video tag.

Video: Compare Aquor's V1+ and V2+ House Hydrants. This video highlights the similarities and differences between the V1+ and V2+ models, particularly regarding vacuum breaker location.

WARRANTY INFORMATION

Aquor products are backed by a comprehensive warranty:

- **Limited Lifetime Warranty:** Applies to all Aquor Hydrants and valves.
- **5-Year Limited Warranty:** Applies to all other Aquor products and parts.

The unique valve design of the freeze-proof faucet is assessed for backflow prevention and a water-pressured seal, ensuring reliable performance under warranty terms.

SUPPORT

For additional support, technical assistance, or warranty claims, please visit the official Aquor website or contact their customer service. Detailed contact information can typically be found on the product packaging or the Aquor brand store on Amazon.

Visit the Aquor Store: [Aquor Water Systems Store](#)