

RUGCEL WINCH TANK 13500 Dual color

RUGCEL TANK 13500 Electric Winch User Manual

Model: TANK 13500 Dual Color

1. INTRODUCTION

Thank you for choosing the RUGCEL TANK 13500 Electric Winch. This manual provides essential information for the safe and effective installation, operation, and maintenance of your new winch. Please read it thoroughly before use.

The RUGCEL TANK 13500 Dual Color Electric Winch is designed for versatile compatibility, suitable for ATVs, UTVs, cars, boats, trucks, Jeeps, modified vehicles, and multi-purpose utility trailers. Its innovative design features a black frosted spray paint finish for rust resistance and an all-steel shell to safeguard the winch, with a design that promotes gearbox heat dissipation for long-term operation.

Key features include:

- **High-Performance Power:** Equipped with a 7.2hp 12V series wound motor and a three-stage planetary gear system with free spooling clutch.
- **Durable Rope:** Features an 85-foot length, 7/16-inch diameter nylon synthetic rope.
- **Superior Planetary Gearing:** Three sets of 3-Stage Planetary gears enable differential, deceleration/acceleration, and reversal, achieving a high gear ratio for coaxial deceleration/acceleration.
- **Revolutionary Control:** A 2-in-1 remote combines wired and infrared remote control power systems, offering a signal control range of up to 100 feet.



Figure 1: RUGCEL TANK 13500 Dual Color Electric Winch

2. PACKAGE CONTENTS

Upon opening your RUGCEL TANK 13500 Electric Winch package, please verify that all components listed below are present and undamaged:

- RUGCEL TANK 13500 Electric Winch Unit
- Towing Strap
- User Manual (this document)
- Aluminum Hawse Fairlead
- Clevis Hook
- Battery Switch
- 2-in-1 Wireless/Wired Remote Control

2 IN 1 WIRELESS REMOTE

Plug in the control line to switch to wired control handle control battery is rechargeable.



Figure 2: All components included in the RUGCEL TANK 13500 Electric Winch package.

3. SETUP AND INSTALLATION

3.1 Battery Switch Installation

The included battery switch is a critical safety component. It allows for the instant disconnection of power to the winch motor in unexpected situations, preventing further complications. Ensure it is installed correctly to safely cut off power when needed.



Figure 3: The battery switch in open and closed positions, demonstrating its function to safely disconnect power.

3.2 Winch Wiring Diagram

Proper wiring is essential for the safe and efficient operation of your winch. Before using the winch, ensure that the clutch handle is in the engaged position and that all wiring connections are made according to the color of the terminals. Refer to the diagram below for correct connections.

WINCH WIRING DIAGRAM

Note: before using the winch, please ensure that the clutch handle is in the engaged position and check the wiring is connected according to the color of the terminal.

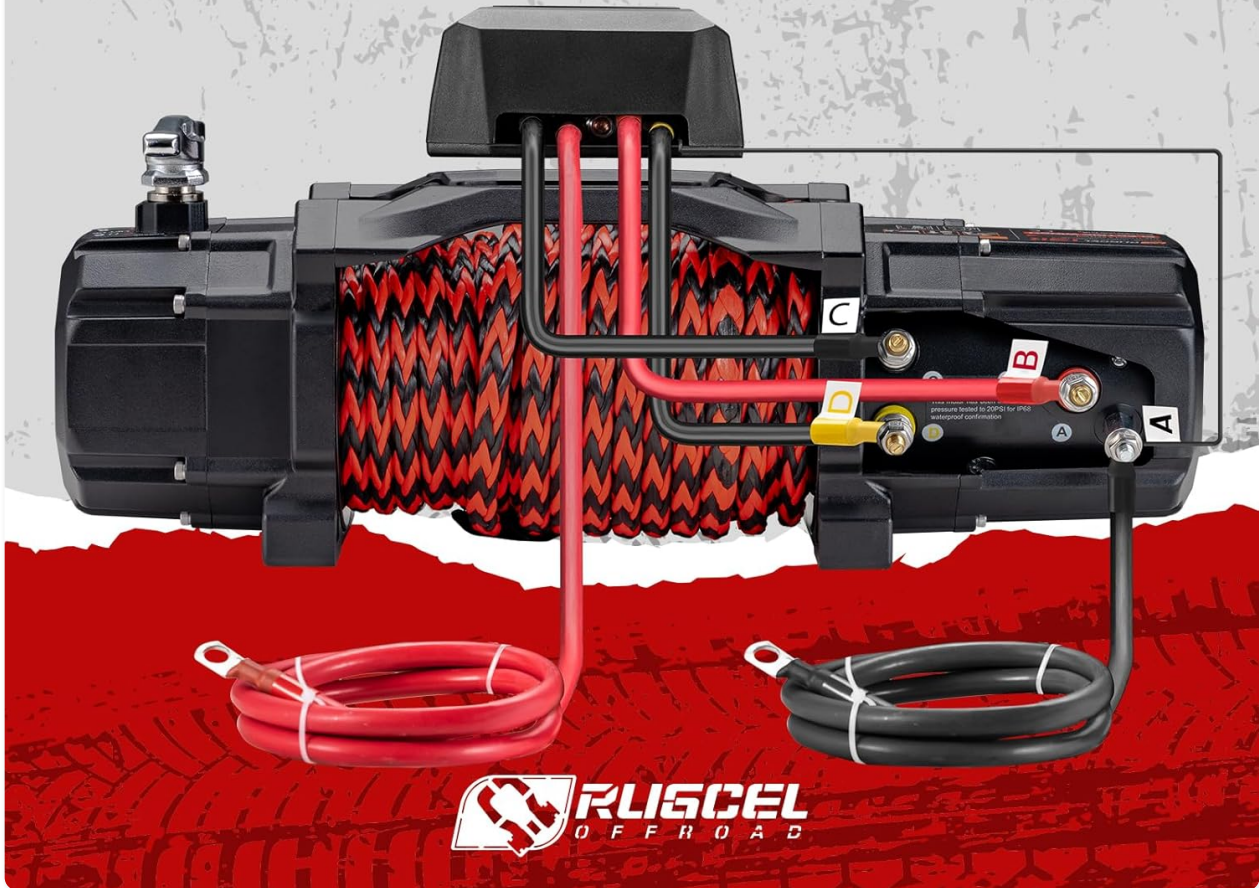


Figure 4: Detailed wiring diagram for the RUGCEL TANK 13500 Electric Winch, illustrating proper terminal connections.

3.3 Assembled Dimensions

Understanding the dimensions of your winch is important for proper mounting and integration with your vehicle. The assembled dimensions are provided below to assist with installation planning.

ASSEMBLED DIMENSIONS

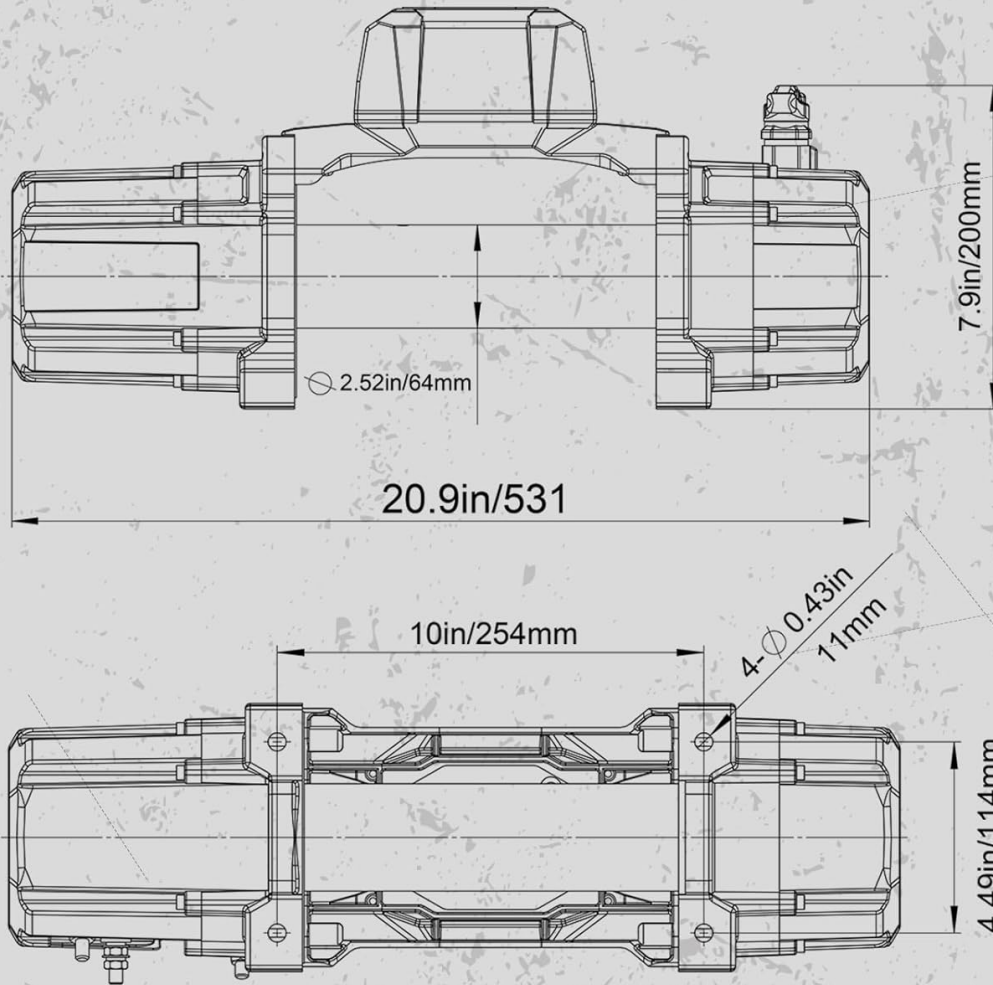


Figure 5: Technical drawing detailing the assembled dimensions of the winch unit.

4. OPERATING INSTRUCTIONS

4.1 Remote Control Operation

The RUGCEL TANK 13500 features a versatile 2-in-1 remote control system, allowing for both wireless and wired operation. This provides flexibility and convenience during winching operations. The wireless signal can reach up to 100 feet.

PACKAGE INCLUDES



Towing Strap



User Manual



Aluminum Fairlead



Clevis Hook



Battery Switch



Wireless Remote Control

Figure 6: The 2-in-1 remote control unit, capable of both wireless and wired operation.

4.2 Winching Process and Safety

Before beginning any winching operation, ensure the area is clear and all safety precautions are observed. The winch features a pull-up type handle for easily disconnecting the motor connection, which helps prevent jamming and ensures smooth operation. The synthetic rope provides a safe and high-strength solution for recovery.

Your browser does not support the video tag.

Video 1: Demonstrates the RUGCEL TANK winch in action, including the use of the power switch, remote control, and the winching process for vehicle recovery. This video highlights the ease of use and the robust capabilities of the winch in an off-road environment.

The winch is designed for super big power, with a capacity of 12000lb/13500lb, making it suitable for heavy-duty recovery tasks. Always ensure the synthetic rope is properly spooled and free from kinks or damage before and after use.



Figure 7: Close-up of the synthetic rope, emphasizing its safety and high strength for reliable winching.

5. MAINTENANCE

Regular maintenance ensures the longevity and reliable performance of your RUGCEL TANK 13500 Electric Winch. After each use, especially in harsh conditions, inspect the synthetic rope for any fraying, cuts, or damage. Clean the winch unit to remove dirt, mud, or debris. Check all electrical connections for corrosion or looseness and tighten as necessary. Periodically inspect the fairlead for wear and ensure it is smooth to prevent damage to the rope. Store the winch in a dry, protected environment when not in use.

6. TROUBLESHOOTING

If you encounter issues with your RUGCEL TANK 13500 Electric Winch, refer to the following common troubleshooting steps:

- **Winch not operating:** Check the battery switch to ensure it is in the 'ON' position. Verify battery connections are secure and clean. Ensure the remote control has fresh batteries (if wireless) or is properly connected (if wired).
- **Motor runs but rope does not move:** Check the clutch handle to ensure it is fully engaged. Inspect the rope for any obstructions or tangles.
- **Slow or weak winching:** This may indicate low battery voltage. Ensure your vehicle's battery is fully charged and the engine is running during winching to provide adequate power.
- **Unusual noises:** Discontinue use immediately and inspect the winch for any loose components or internal damage. Contact customer support if the issue persists.

For more complex issues or repairs, it is recommended to contact qualified service personnel or RUGCEL WINCH customer support.

7. SPECIFICATIONS

The following table outlines the technical specifications for the RUGCEL TANK 13500 Dual Color Electric Winch:

Feature	Specification
Manufacturer	RUGCEL WINCH

Feature	Specification
Part Number	TANK 13500 Dual color
Item Weight	62.9 pounds
Product Dimensions	46 x 35 x 19 inches
Rated Line Pull	13,500 LBS (6,123 kg) Single-line
Rope	7/16 inch x 82 feet Synthetic
Motor	12V DC Series Wound
Remote Control	2-in-1 Remote (Wireless/Wired)
Geartrain	3-Stage Planetary
Clutch	Sliding Ring Gear
Gear Ratio	234:1
Color	Black
Date First Available	September 9, 2022

SPECIFICATIONS			
Rated Line Pull	13,500LBS.(6,123kg)Single-line	Remote Control	2-in-1 Remote
Rope	7/16INx82FT Synthetic	Geartrain	3-Stage Planetary
Motor	12V DC Series Wound	Clutch	Sliding Ring Gear
Weight	64LB	Gear Ratio	234:1

Figure 8: Visual representation of key specifications for the winch.

8. WARRANTY AND SUPPORT

For warranty information, product support, or to purchase accessories, please visit the official RUGCEL WINCH store or contact their customer service. Keep your purchase receipt as proof of purchase for any warranty claims.

[Visit the RUGCEL WINCH Store on Amazon](#)

