

Manuals+

[Q & A](#) | [Deep Search](#) | [Upload](#)

manuals.plus /

› [Vistefly](#) /

› [Vistefly V15s Max Cordless Vacuum Cleaner Instruction Manual](#)

Vistefly V15 Max

Vistefly V15s Max Cordless Vacuum Cleaner

INSTRUCTION MANUAL

Introduction

Thank you for choosing the Vistefly V15s Max Cordless Vacuum Cleaner. This powerful and versatile vacuum is designed to provide efficient cleaning for your home, featuring a 580W motor, 55kPa suction, intelligent dust detection, and a long-lasting battery. This manual provides essential information for the safe and effective use, maintenance, and troubleshooting of your new appliance.

Please read this manual thoroughly before first use and keep it for future reference.

Safety Information

Always follow basic safety precautions when using electrical appliances to reduce the risk of fire, electric shock, or injury.

- Do not use the vacuum cleaner outdoors or on wet surfaces.
- Do not allow it to be used as a toy. Close attention is necessary when used by or near children.
- Use only as described in this manual. Use only manufacturer's recommended attachments.
- Do not use with damaged cord or plug. If appliance is not working as it should, has been dropped, damaged, left outdoors, or dropped into water, return it to a service center.
- Do not pull or carry by cord, use cord as a handle, close a door on cord, or pull cord around sharp edges or corners. Do not run appliance over cord. Keep cord away from heated surfaces.
- Do not unplug by pulling on cord. To unplug, grasp the plug, not the cord.
- Do not handle plug or vacuum cleaner with wet hands.
- Do not put any object into openings. Do not use with any opening blocked; keep free of dust, lint, hair, and anything that may reduce air flow.
- Keep hair, loose clothing, fingers, and all parts of body away from openings and moving parts.
- Do not pick up anything that is burning or smoking, such as cigarettes, matches, or hot ashes.
- Use extra care when cleaning on stairs.
- Do not use to pick up flammable or combustible liquids, such as gasoline, or use in areas where they may be present.
- Store the vacuum cleaner indoors.
- Disconnect the battery pack from the appliance before making any adjustments, changing accessories, or storing appliance.

- Use only the charger supplied by the manufacturer to recharge.

Product Overview and Components

Familiarize yourself with the parts of your Vistefly V15s Max vacuum cleaner.



Image: The Vistefly V15s Max vacuum cleaner shown assembled and disassembled with its main components and accessories, including the digital display, extension tube, main brush, and various nozzles.

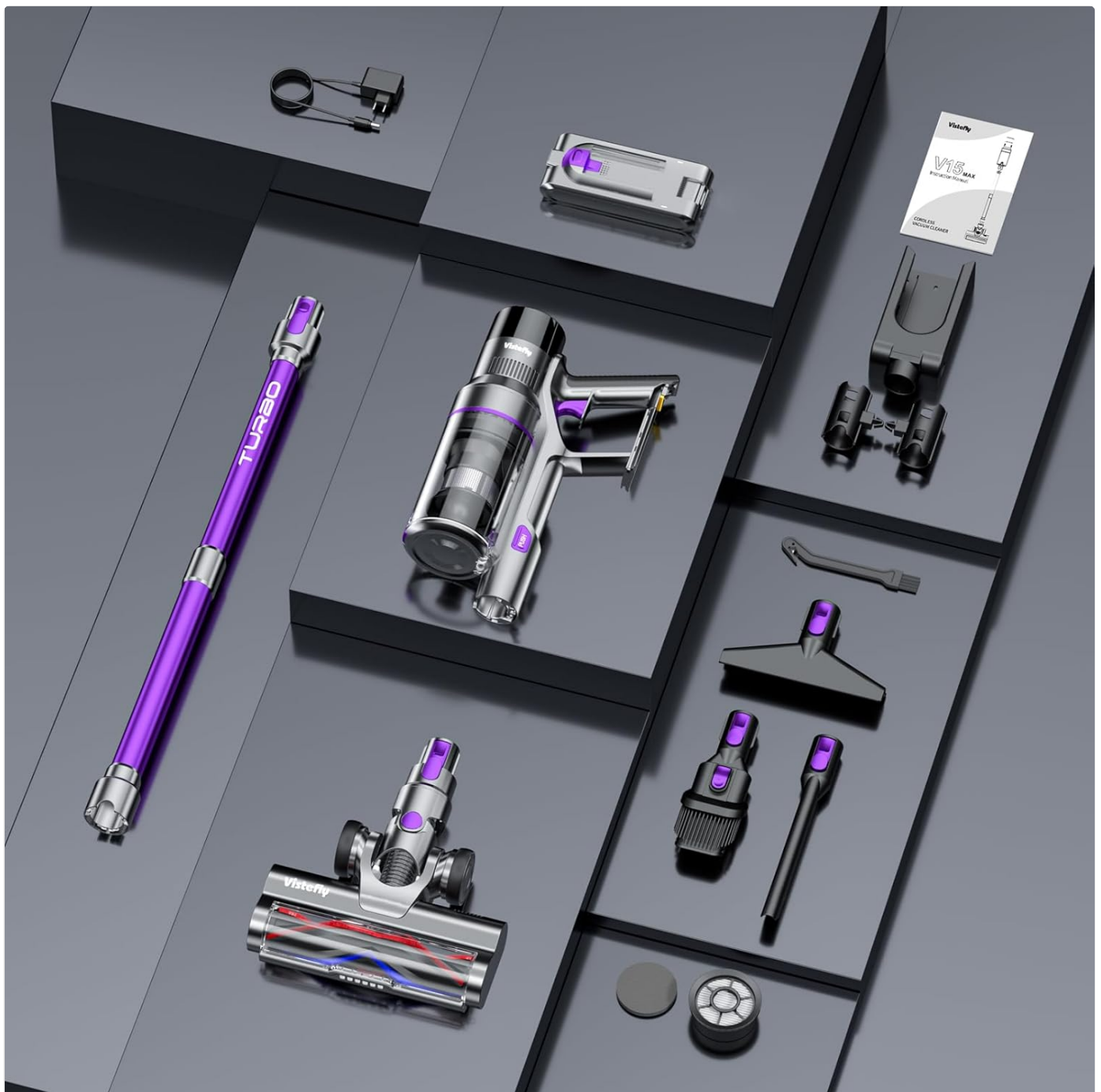


Image: A detailed view of all included components: Main body, battery, charger, user manual, telescopic tube, motorized brush, HEPA filter, 2-in-1 brush, mattress brush, crevice tool, and wall mount.

Included Components:

- Main Body
- Battery
- Charger
- User Manual
- Telescopic Tube
- Motorized Brush (Floor Brush)
- HEPA Filter
- 2-in-1 Brush
- Mattress Brush
- Crevice Tool
- Wall Mount

Setup

Assembly:

1. **Attach the Telescopic Tube:** Insert the telescopic tube into the main body until it clicks into place.
2. **Attach the Motorized Brush:** Connect the motorized brush head to the other end of the telescopic tube, ensuring it clicks securely.
3. **Install the Battery:** Slide the removable battery pack into the designated slot on the main body until it locks.
4. **Choose Accessories:** For handheld use, attach desired accessories (e.g., 2-in-1 brush, crevice tool, mattress brush) directly to the main body.

Initial Charging:

Before first use, fully charge the battery. The quick charge takes approximately 4 hours.

- Connect the charger to the battery pack or directly to the vacuum cleaner if the battery is installed.
- Plug the charger into a power outlet.
- The LED touchscreen will indicate charging status and battery percentage.

Intelligentes Stauberkennungssystem

Der V15smax passt die Saugleistung automatisch an die Staubmenge an.



Image: The removable 8-cell lithium battery pack, highlighting its easy removal for charging or replacement.

Verbesserte V-förmige Bürste mit Anti-Verhedderungsfunktion



Image: The wall-mounted storage and charging station, showing the vacuum cleaner docked for convenient storage and charging.

Operating Instructions

Powering On/Off:

Press the power button on the handle to turn the vacuum cleaner on or off.

Suction Modes and Runtime:

The V15s Max offers four suction modes, adjustable via the LED touchscreen:

- **Auto Mode (35-55 kPa):** Automatically adjusts suction based on dust amount. Runtime: 20-70 minutes.
- **Eco Mode (35 kPa):** For light cleaning and maximum battery life. Runtime: Up to 75 minutes.
- **Standard Mode (45 kPa):** For everyday cleaning. Runtime: Approximately 40 minutes.
- **Max Mode (55 kPa):** For deep cleaning and stubborn dirt. Runtime: Approximately 20 minutes.

All-in-One-Touchscreen

Saugleistungseinstellung mit nur einer Berührung

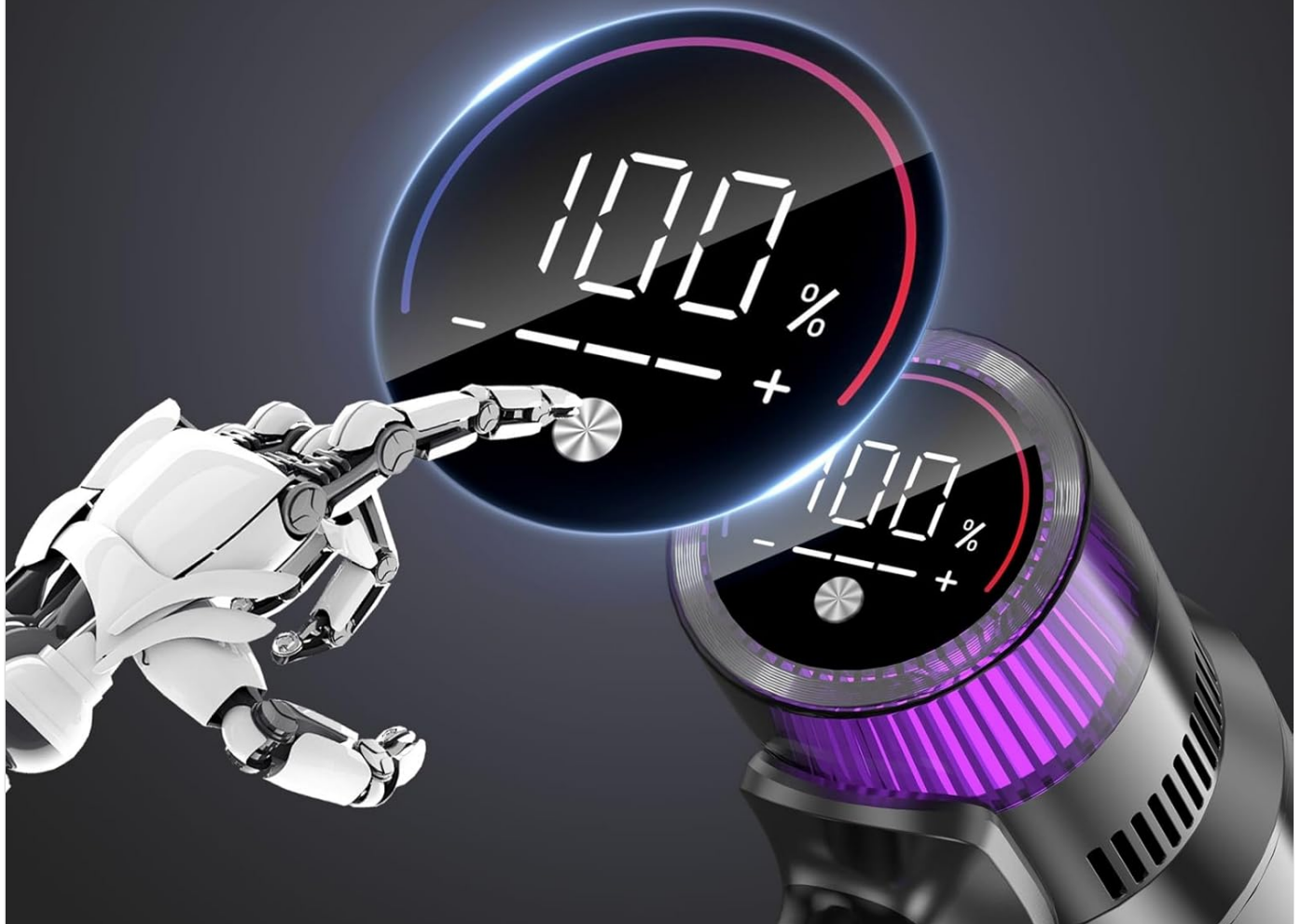
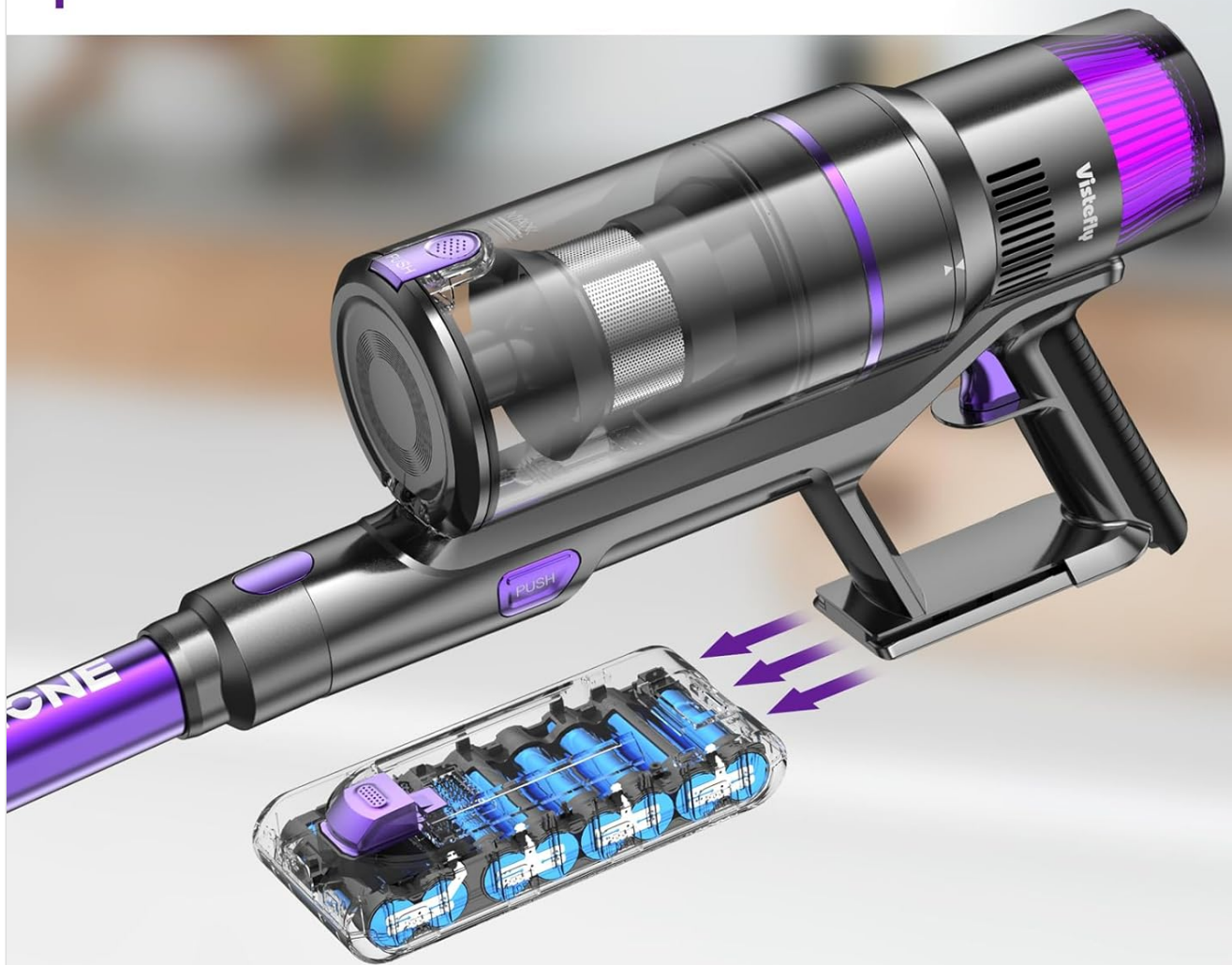


Image: The all-in-one LED touchscreen display, showing battery percentage and suction level controls.

Intelligent Dust Detection:

In Auto Mode, the vacuum cleaner's intelligent sensor detects the amount of dust and automatically adjusts the suction power for optimal cleaning efficiency and battery usage.

8*2500mAh Abnehmbarer Akku
Schnellladen 4H



20-70Min
Auto-Modus



75Min
Eco-Modus



40Min
Standard Mode



20Min
Max Mode

Image: Illustration of the intelligent dust detection system, showing how suction power (35kPa, 45kPa, 55kPa) adjusts based on the amount of debris on the floor.

Versatile Cleaning:

The V15s Max can be easily converted into a handheld vacuum for cleaning various surfaces, including furniture, car interiors, and hard-to-reach areas. The V-shaped motorized brush is designed to prevent hair tangling and is suitable for different floor types like hardwood, tiles, and carpets.



Image: A woman using the Vistefly V15s Max to clean a carpeted floor, demonstrating its ease of use and effectiveness on various surfaces.

Selbsttragendes Design

Steht aufrecht, ohne sich an eine Wand lehnen zu müssen, was es bequem für das Laden und die Aufbewahrung macht.



Image: Close-up of the improved V-shaped brush with anti-tangle function, illustrating how it prevents hair from wrapping around the brush roll compared to conventional designs.

Adjustable Extension Tube:

The length of the extension tube can be manually adjusted to suit your height and cleaning needs, making it comfortable for various users and easy to store.

Self-Standing Design:

The V15s Max features a self-standing design, allowing it to stand upright on its own without needing to lean against a wall. This makes temporary storage and breaks during cleaning more convenient.

Wandmontierte Aufbewahrungs- und Ladestation



Image: The Vistefly V15s Max vacuum cleaner standing independently in a living room, demonstrating its self-supporting design for easy storage and pausing during cleaning.

Maintenance

Emptying the Dustbin:

The 1-liter dustbin can be easily emptied with one hand. Press the release button to open the dustbin flap and dispose of collected debris.

Filter System Cleaning:

The V15s Max features a 6-stage high-efficiency filtration system, including a HEPA filter, which captures 99.99% of dust and particles. Regular cleaning of the filters is crucial for maintaining optimal suction power.

- Remove the dustbin and separate the filter components.
- Tap off loose dust from the HEPA filter and other filter parts.
- Rinse washable filter components under cold water. Ensure they are completely dry before reassembling.

- Replace the HEPA filter periodically (refer to product packaging or Vistefly website for replacement frequency).

Cleaning the Motorized Brush:

Periodically check the motorized brush for tangled hair or debris. The V-shaped design minimizes tangles, but occasional cleaning may be necessary.

- Turn off the vacuum and disconnect it from power.
- Remove the brush roll from the brush head (refer to the diagram in the user manual for specific instructions).
- Use scissors or a cleaning tool to cut and remove any tangled hair or fibers.
- Reinsert the brush roll securely.

Troubleshooting

If you encounter issues with your Vistefly V15s Max, refer to the following common problems and solutions:

Problem	Possible Cause	Solution
Vacuum not turning on	Battery not charged; Battery not properly installed; Power button issue.	Charge the battery fully; Reinstall the battery securely; Contact customer support if button is unresponsive.
Low suction power	Dustbin full; Filters clogged; Brush roll tangled; Blockage in tube/hose.	Empty dustbin; Clean/replace filters; Remove tangled hair from brush roll; Check for and clear any blockages.
Short runtime	Battery not fully charged; Using Max mode excessively; Battery degradation.	Ensure battery is fully charged; Use Eco or Standard mode for longer cleaning; Contact customer support for battery replacement if needed.
Error code on touchscreen	Internal malfunction or specific issue.	Note the error code and refer to the full user manual or contact Vistefly customer support for specific guidance.

For more detailed troubleshooting or issues not listed here, please refer to the comprehensive user manual or contact Vistefly customer support.

Specifications

Brand	Vistefly
Model Number	V15 Max
Motor Power	580W
Suction Power	Up to 55kPa
Battery Capacity	8-cell Lithium, 2500mAh
Runtime	Up to 75 minutes (Eco Mode)
Charging Time	Approx. 4 hours
Dustbin Capacity	1 Liter
Noise Level	70 dB

Filter Type	HEPA Filter (6-stage filtration system)
Product Dimensions	28 x 15 x 68 cm
Item Weight	4.17 Kilograms

Warranty and Support

Vistefly is committed to providing high-quality products and excellent customer service.

- **Warranty:** Your Vistefly V15s Max comes with a 2-year warranty.
- **Technical Assistance:** Lifetime technical support is available for your product.
- **Returns & Refunds:** Enjoy a 30-day replacement and refund policy.
- **Customer Service:** 24/7 customer service is available to assist you with any inquiries or issues.

For support, please visit the official Vistefly store on Amazon or contact their customer service directly. You can find contact information in the packaging or on the Vistefly brand store page.



Image: Vistefly customer support details, highlighting 2-year warranty, lifetime technical assistance, 30-day replacement & refund, and 24/7 customer service.