

[Manuals.plus](#) /

› [Black Horse Off Road](#) /

› Black Horse Max T Bull Bar Kit User Manual

Black Horse Off Road MBT-MF103-PLFR

Black Horse Max T Bull Bar Kit User Manual

Model: MBT-MF103-PLFR | Brand: Black Horse Off Road

1. INTRODUCTION

This manual provides detailed instructions for the installation, operation, and maintenance of your Black Horse Max T Bull Bar Kit. This bull bar is designed to provide robust front-end protection for your vehicle. It features a textured black powder-coat finish for durability and includes a set of 5.3-inch Red Round Flood LED Lights.

The Black Horse Max T Bull Bar Kit is compatible with:

- 2017-2025 Ford F-250 Super Duty
- 2017-2025 Ford F-350 Super Duty
- 2017-2025 Ford F-450 Super Duty
- 2017-2025 Ford F-550 Super Duty

2. WHAT'S IN THE BOX

Carefully unpack all components and verify that all items are present and undamaged. If any parts are missing or damaged, please contact customer support immediately.

- Max T Bull Bar (Textured Black)
- Pair of 5.3" Dia. LED Flood Lights with Red Trim Rings
- Wiring Harness and Switch for LED Lights
- Mounting Hardware Kit
- Installation Instruction Manual (PDF available online)



Figure 2.1: Black Horse Max T Bull Bar Kit with included LED lights.

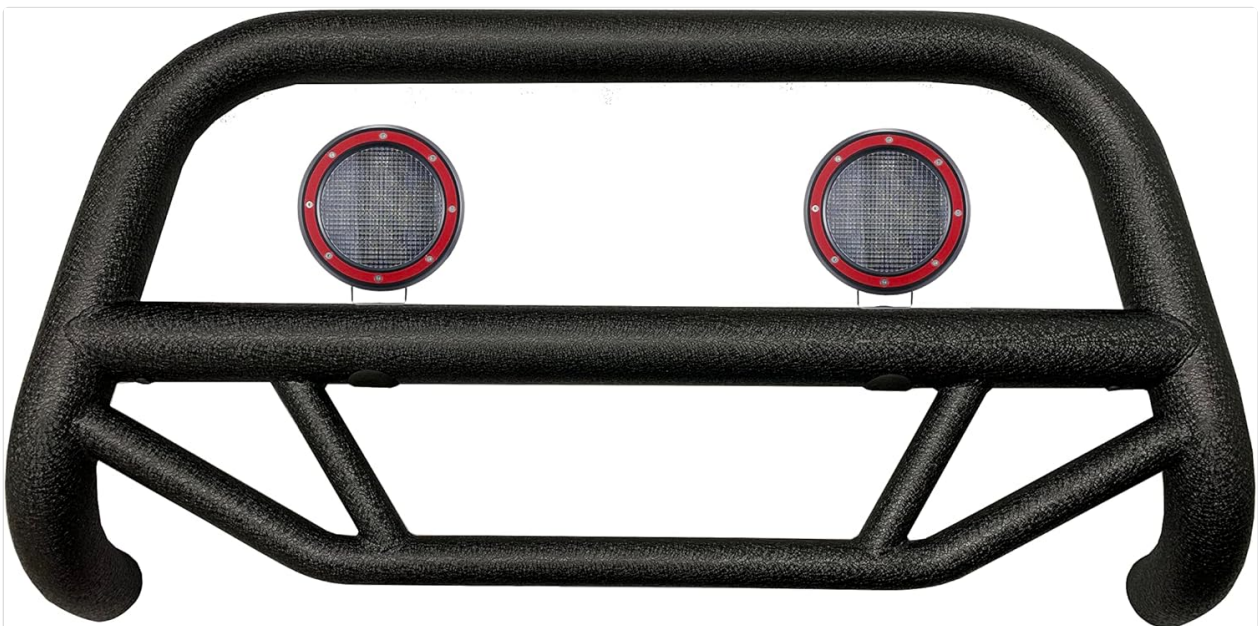


Figure 2.2: The Max T Bull Bar with the two 5.3-inch round LED flood lights mounted.

3. SETUP AND INSTALLATION

The Black Horse Max T Bull Bar is designed for a tough frame-mounted, no-drill bolt-on installation. For detailed, step-by-step instructions, please refer to the official Installation Manual PDF available online. A link to the PDF is provided in the Support section of this manual.

3.1 Key Installation Features

- **Frame Mounted:** Ensures a secure and robust attachment to your vehicle's frame.
- **No-Drill Bolt-On:** Designed for easy installation without requiring modifications to your vehicle's frame.
- **Pre-Drilled Holes:** The bull bar features pre-drilled holes for mounting additional lights, offering customization options.
- **License Plate Relocator:** Includes provisions for relocating your front license plate if necessary.

1 Set of 5.3" Round Flood RED LED Light with Harness and Switch

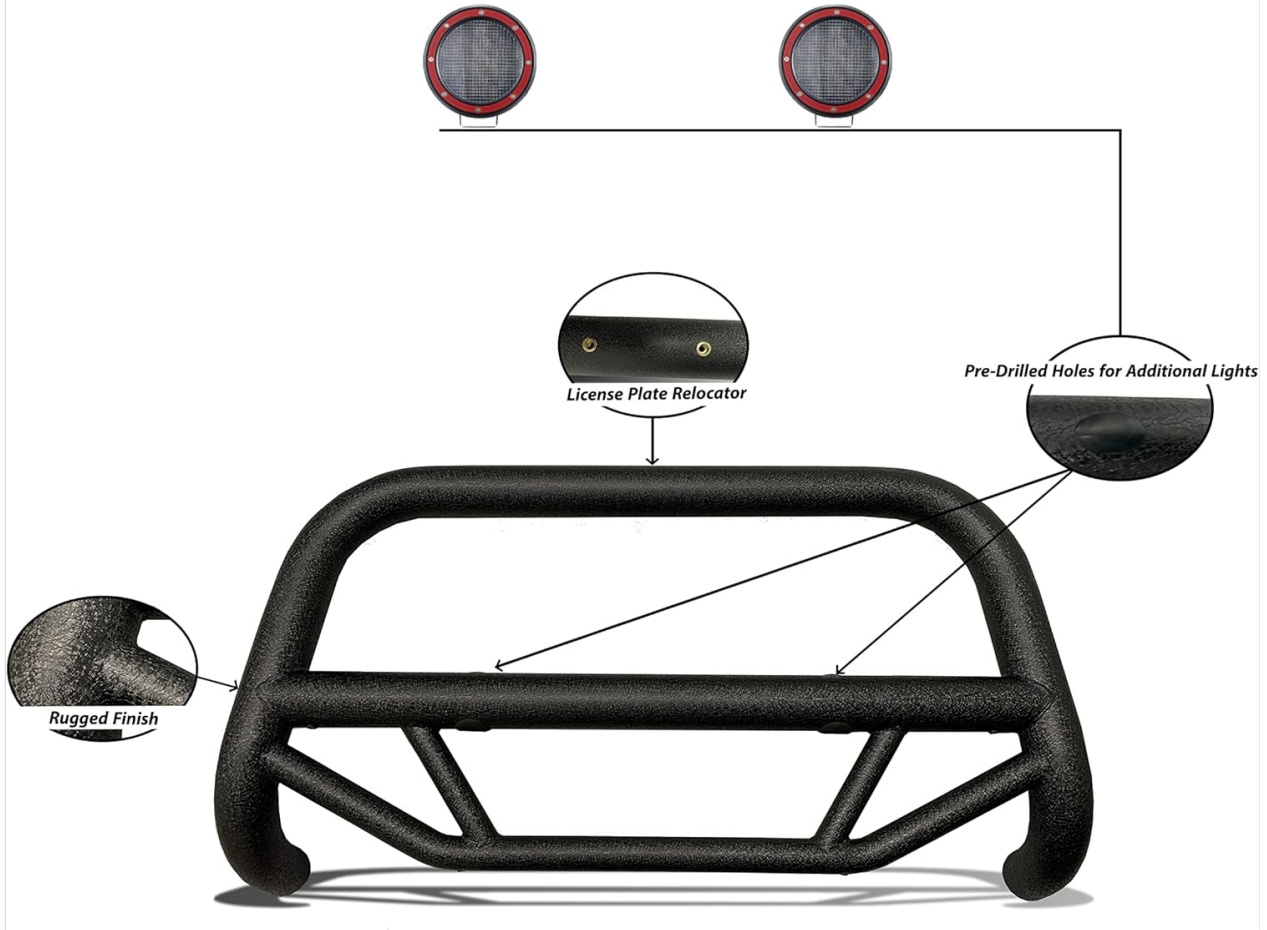


Figure 3.1: Illustration of the license plate relocator and pre-drilled holes for additional lights on the bull bar.

3.2 Important Considerations During Installation

It is important to note that the installation of this bull bar may interfere with front sensors and **MAY INTERFERE with ADAPTIVE CRUISE CONTROL if EQUIPPED** on your vehicle. Please consult your vehicle's owner's manual and consider professional installation if you have concerns about these systems.

4. OPERATING THE LED LIGHTS

The included 5.3-inch Red Round Flood LED Lights are designed to provide additional illumination. They come with a wiring harness and switch for easy integration into your vehicle's electrical system.

4.1 Wiring and Activation

1. Connect the LED lights to the provided wiring harness according to the installation manual.
2. Install the switch in a convenient location within your vehicle's cabin.
3. Connect the wiring harness to your vehicle's power source as instructed in the installation manual.
4. Once wired, activate the lights using the installed switch.



Figure 4.1: Close-up of one of the 5.3-inch Red Round Flood LED Lights.

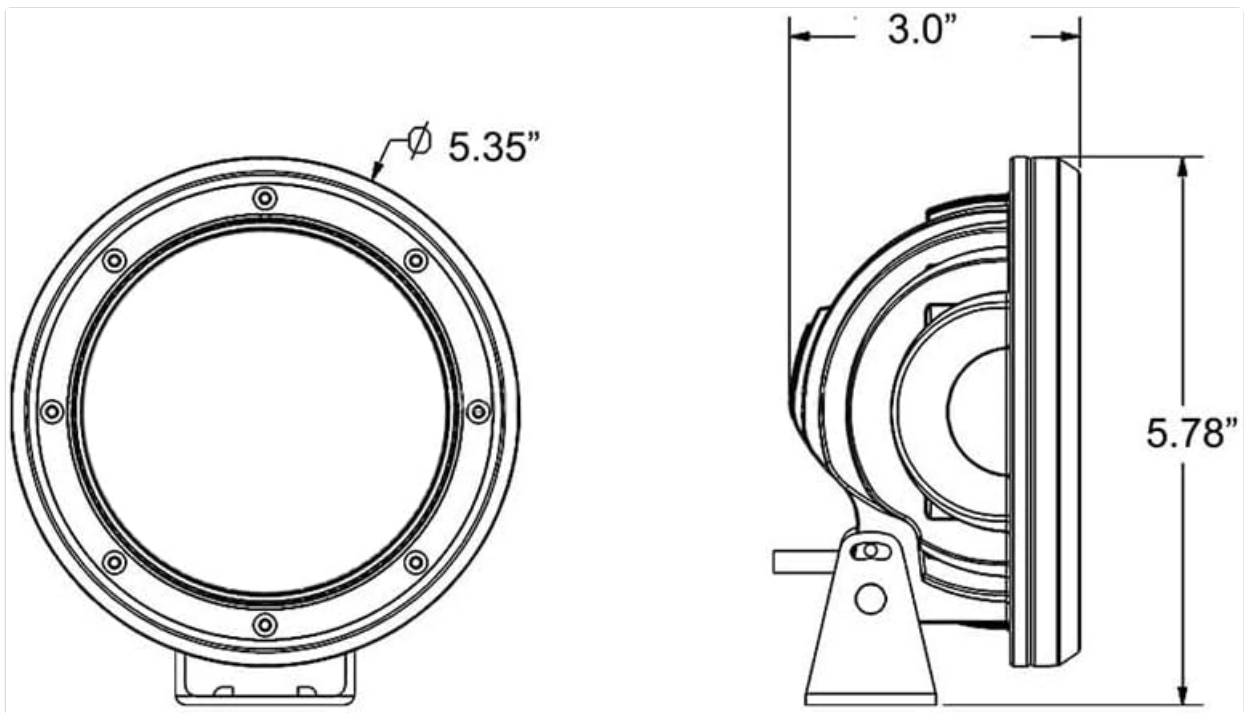


Figure 4.2: Dimensions of the 5.3-inch LED light (5.35" diameter, 3.0" depth, 5.78" height with bracket).

5. MAINTENANCE

To ensure the longevity and appearance of your Black Horse Max T Bull Bar, follow these maintenance guidelines:

- **Cleaning:** Regularly clean the bull bar and LED lights with mild soap and water. Avoid abrasive cleaners or harsh chemicals that could damage the textured powder-coat finish or the light lenses.
- **Inspection:** Periodically inspect all mounting hardware for tightness. Vibrations from driving can loosen bolts over time.
- **Finish Care:** The textured powder-coat finish is chip-resistant and includes an e-coat undercoat for maximum rust protection. However, extreme impacts can still cause damage. Touch up any deep scratches promptly to prevent corrosion.

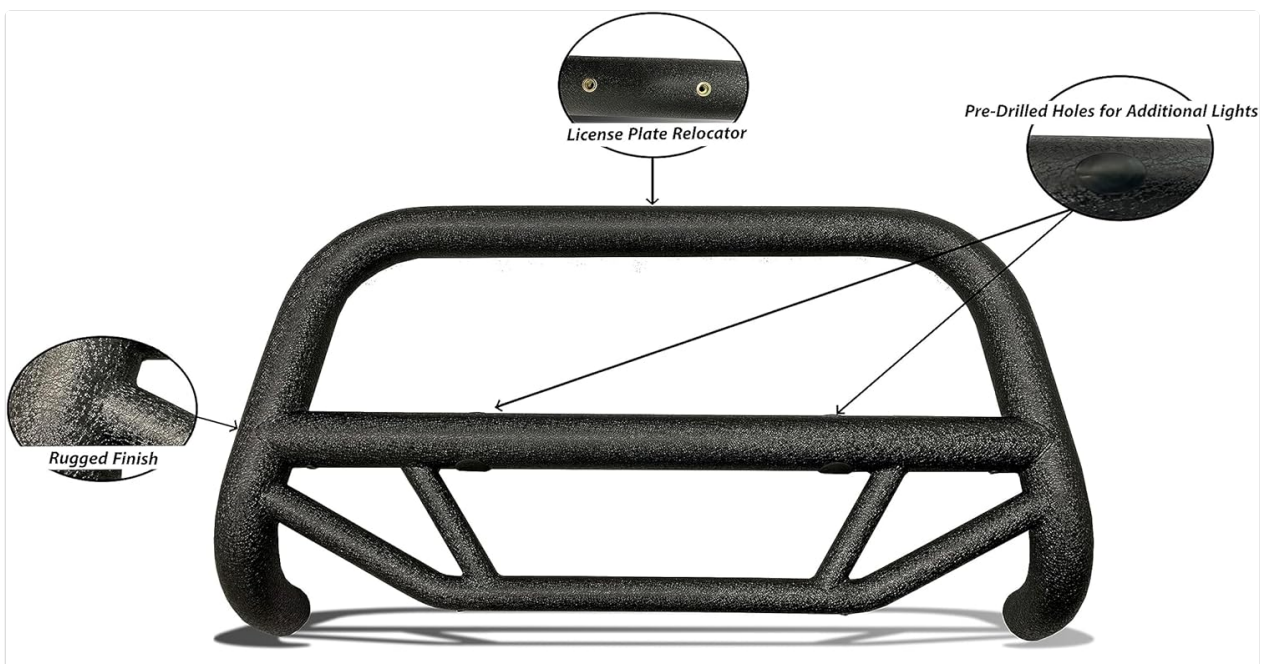


Figure 5.1: Close-up view of the rugged textured finish of the bull bar, designed for durability.

6. TROUBLESHOOTING

6.1 Front Sensors / Adaptive Cruise Control Interference

As noted in the installation section, the bull bar may interfere with your vehicle's front parking sensors or adaptive cruise control system. This is due to the physical presence of the bull bar potentially blocking the sensor's line of sight.

- **Symptom:** Parking sensors trigger unexpectedly, or adaptive cruise control malfunctions or becomes unavailable.
- **Solution:** There is no direct fix for physical obstruction. If these features are critical, consider alternative front protection options or consult with a professional installer about potential sensor relocation (if feasible and safe for your vehicle model). In some cases, the vehicle's computer may need to be recalibrated or the sensors may need to be disabled.

6.2 LED Lights Not Functioning

- **Check Connections:** Ensure all wiring harness connections are secure and properly seated.
- **Check Power Source:** Verify that the lights are receiving power from the vehicle's electrical system. Check fuses if applicable.
- **Check Switch:** Ensure the switch is correctly wired and functioning.
- **Inspect Lights:** Visually inspect the LED lights for any signs of damage.

7. SPECIFICATIONS

Manufacturer	Black Horse Off Road
Brand	Black Horse Off Road
Model	Max T Bull Bar Kit
Item Model Number	MBT-MF103-PLFR
Item Weight	26 pounds
Product Dimensions	40 x 22 x 8 inches
Exterior Finish	Powder-Coat (Textured Black)
Position	Front

8. WARRANTY AND SUPPORT

8.1 Manufacturer's Warranty

This Black Horse Max T Bull Bar Kit comes with a **3-year Manufacturer's Limited Warranty**. Please retain your proof of purchase for warranty claims. For specific terms and conditions of the warranty, refer to the documentation provided with your product or contact Black Horse Off Road directly.

8.2 Installation Manual

For the complete installation guide, please download the official PDF manual:

[Download Installation Manual \(PDF\)](#)

8.3 Customer Support

For any questions, technical assistance, or warranty inquiries, please contact Black Horse Off Road customer support. You can often find contact information on the manufacturer's website or through the retailer where you purchased the product.

Visit the Black Horse Off Road Store: [Black Horse Off Road Store on Amazon](#)