

## Manuals+

[Q & A](#) | [Deep Search](#) | [Upload](#)

[manuals.plus](#) /

› [Microbeau](#) /

› [Microbeau Bellar V2 Tattoo Machine User Manual](#)

## Microbeau Bellar V2

# Microbeau Bellar V2 Tattoo Machine User Manual

Model: Bellar V2

## INTRODUCTION

---

The Microbeau Bellar V2 is a precision-engineered pen-style tattoo machine designed for professional cosmetic tattoo artists. This manual provides essential information for the safe and effective operation, maintenance, and care of your Bellar V2 machine.



*Image: The Bellar V2 tattoo machine in its silver finish, showcasing its sleek, pen-style design.*

## **SAFETY INFORMATION**

---

- For external use only.
- For experienced or professional tattoo use only.
- Ensure the work area and all equipment are thoroughly sterilized before beginning any procedure.
- Always follow local health and safety regulations for tattooing and permanent makeup procedures.
- Do not attempt to disassemble or repair the machine beyond the scope described in this manual. Refer to qualified technicians for service.

## **PRODUCT FEATURES**

---

The Bellar V2 is engineered for precision and comfort, offering advanced features for cosmetic tattoo applications:

- **Pen-Style Design:** Ergonomic and lightweight for enhanced comfort during long procedures.
- **2.7mm Stroke Length:** Optimized for clean, in-depth pigment deposit, ideal for linework and detailed procedures.
- **Click-Grip Adjustment:** Allows for responsive and precise needle depth adjustment, reducing hand fatigue.
- **Mini DC Connector:** Ensures a secure and reliable power connection.
- **Compatibility:** Designed to work seamlessly with standard universal membrane cartridges.
- **Detachable Battery Compatibility:** Can be paired with the Microbeau Airbolt Mini (sold separately) for wireless operation and enhanced movement.
- **Made in the USA:** Manufactured with high-quality standards.



bellar<sub>v2</sub>

Precision, Power & Comfort.

## Features

- Pen-Style Feel
- 2.7 mm Stroke
- Slim / Lightweight Design
- Click-grip Adjustment
- Mini DC Connector
- Made in the USA
- 2.86 oz (81 g)
- Compatible with Standard Universal Membrane Cartridges

*Image: A visual representation of the Bellar V2's key features, including its pen-style feel, 2.7mm stroke, and click-grip adjustment.*

1. **Unpacking:** Carefully remove the Bellar V2 machine from its packaging. Inspect for any visible damage.
2. **Sterilization:** Before first use and after each subsequent use, ensure the machine's external surfaces are properly disinfected according to industry standards. The machine is water resistant, but not submersible.
3. **Power Connection:**
  - Connect the Mini DC cable to the port at the base of the Bellar V2.
  - Connect the other end of the cable to a compatible power supply unit (PSU).
  - Alternatively, attach a Microbeau Airbolt Mini (sold separately) directly to the machine for wireless operation.
4. **Cartridge Installation:**
  - Select a standard universal membrane cartridge appropriate for your procedure.
  - Gently push the cartridge into the front opening of the machine until it clicks securely into place.

## OPERATING INSTRUCTIONS

---

1. **Power On:** Turn on your power supply unit. The Bellar V2 will be ready for operation.
2. **Adjusting Needle Depth (Click-Grip):**
  - To adjust the needle depth, twist the grip of the machine.
  - The "click" mechanism provides tactile feedback for precise, incremental adjustments.
  - Rotate clockwise to extend the needle further out, and counter-clockwise to retract it.



The *new* and  
**Evolved**  
click-grip  
adjustment



bellar<sub>v2</sub>

*Image: Illustration demonstrating the twisting motion for the Bellar V2's click-grip adjustment mechanism.*

3. **Procedure Execution:** Perform your cosmetic tattoo procedure following established professional techniques and safety protocols. The Bellar V2's lightweight design and precision stroke are ideal for detailed linework, hairstrokes, eyeliner, and lip blushing.
4. **Power Off:** Once the procedure is complete, turn off your power supply unit.
5. **Cartridge Removal:** Gently pull the cartridge straight out from the machine. Dispose of used cartridges safely and according to biohazard waste regulations.

## MAINTENANCE

---

- **Cleaning:** After each use, thoroughly clean the exterior of the machine with appropriate disinfectants. Do not immerse the machine in liquid.
- **Lubrication:** The Bellar V2 is designed for minimal maintenance. Do not apply lubricants unless specifically instructed by Microbeau support.
- **Storage:** Store the machine in a clean, dry, and sterile environment when not in use. Protect it from extreme

temperatures and physical impact.

- **Inspection:** Regularly inspect the machine for any signs of wear, damage, or loose components. If any issues are found, discontinue use and contact Microbeau support.

## TROUBLESHOOTING

---

If you encounter issues with your Bellar V2, please refer to the following common troubleshooting steps:

Problem	Possible Cause	Solution
Machine not turning on.	Power cable not connected properly; Power supply unit (PSU) off or faulty; Airbolt Mini battery depleted.	Check all cable connections. Ensure PSU is on and functioning. Recharge or replace Airbolt Mini battery.
Needle depth not adjusting.	Grip mechanism obstructed or damaged.	Ensure no debris is preventing grip rotation. Do not force adjustment. If issue persists, contact support.
Cartridge not seating securely.	Incorrect cartridge type; Debris in cartridge port.	Ensure you are using standard universal membrane cartridges. Inspect and clean the cartridge port.

If the problem persists after attempting these solutions, please contact Microbeau customer support for further assistance.

## SPECIFICATIONS

---

Feature	Detail
Model	Bellar V2
Stroke Length	2.7 mm
Dimensions (L x W x H)	4.6 x 0.83 x 0.61 inches (116 x 21 x 16 mm)
Weight	2.88 ounces (81 g)
Connector Type	Mini DC
Cartridge Compatibility	Standard Universal Membrane Cartridges
Water Resistance Level	Water Resistant (not submersible)
Country of Origin	USA
UPC / GTIN	810034256317

# bellar<sub>v2</sub>

Precision, Power & Comfort

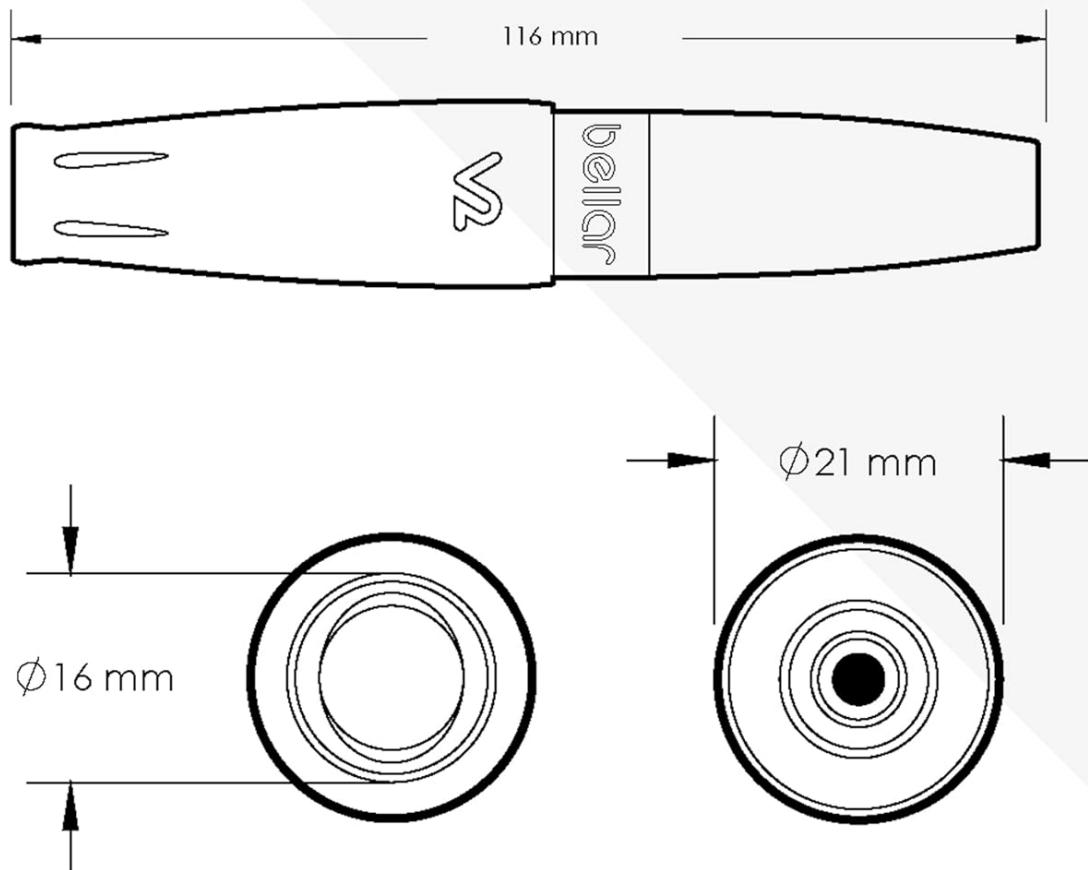


Image: Technical diagram showing the dimensions of the Bellar V2 machine in millimeters.

## WARRANTY AND SUPPORT

For warranty information, technical support, or service inquiries, please contact Microbeau directly through their official website or authorized distributors. Keep your purchase receipt as proof of purchase for warranty claims.

**Microbeau Official Website:** [www.microbeau.com](http://www.microbeau.com)