

Manuals+

[Q & A](#) | [Deep Search](#) | [Upload](#)

Manuals.plus /

› [TTiiLoe](#) /

› TTiiLoe 50W LED Flood Light Instruction Manual

TTiiLoe Outdoor IP66 Working Light

TTiiLoe 50W LED Flood Light Instruction Manual

Model: Outdoor IP66 Working Light

1. INTRODUCTION

This manual provides detailed instructions for the installation, operation, and maintenance of your TTiiLoe 50W LED Flood Light. Designed for both indoor and outdoor use, this IP66 waterproof security light fixture offers ultra-bright illumination with a 120° beam angle, making it ideal for various applications such as gardens, yards, patios, and more. Please read this manual thoroughly before installation and use to ensure safe and optimal performance.



Figure 1.1: Main view of the TTiiLoe 50W LED Flood Light.

2. SAFETY INFORMATION

Always follow basic safety precautions when installing and operating electrical equipment. Failure to do so may result in fire, electric shock, or serious injury.

- Ensure power is disconnected at the circuit breaker before installation or maintenance.
- Installation should be performed by a qualified electrician or in accordance with local electrical codes.
- Do not operate the light with damaged wires or if the housing is compromised.
- Keep flammable materials away from the light fixture during operation.
- This product is designed for hardwired installation and does not include a plug. Ensure proper wiring connections (Live, Neutral, Ground).
- Do not look directly into the LED light source when it is illuminated.

3. WHAT'S IN THE BOX

Upon unpacking, please verify that all components are present and undamaged:

- 1 x TTiiLoe 50W LED Security Flood Light

- 1 x Instruction Manual

4. SPECIFICATIONS

| Feature | Detail |
|------------------------|--------------------------------------------------------------------|
| Brand | TTiiLoe |
| Model Name | Outdoor IP66 Working Light |
| Wattage | 50W |
| Brightness | 3500 Lumens |
| Color Temperature | 6500K (Cool White) |
| Beam Angle | 120° |
| Material | Aluminum |
| Water Resistance Level | IP66 Waterproof |
| Lifespan | Up to 50,000 hours |
| Product Dimensions | 3.93"L x 3.14"W x 0.78"H (approx. 8.07 x 6.3 x 1.3 inches overall) |
| Power Source | AC Hardwired |
| Voltage | 265 Volts |

50W LED FLOOD LIGHT



3500 Lumens
Brightness



120°
Beam Angle



50,000+
Hours Lifespan

Figure 4.1: Key features of the 50W LED Flood Light including brightness, beam angle, and lifespan.



IP66 Waterproof

Figure 4.2: The IP66 waterproof and dustproof design ensures durability in outdoor conditions.

5. SETUP AND INSTALLATION

The TTiiLoe LED Flood Light is designed for easy hardwired installation. Ensure all safety precautions are followed before proceeding.

5.1 Mounting Options

The adjustable metal bracket allows for versatile mounting on ceilings, walls, or the ground. The bracket can be adjusted up to 180 degrees to direct light as needed.

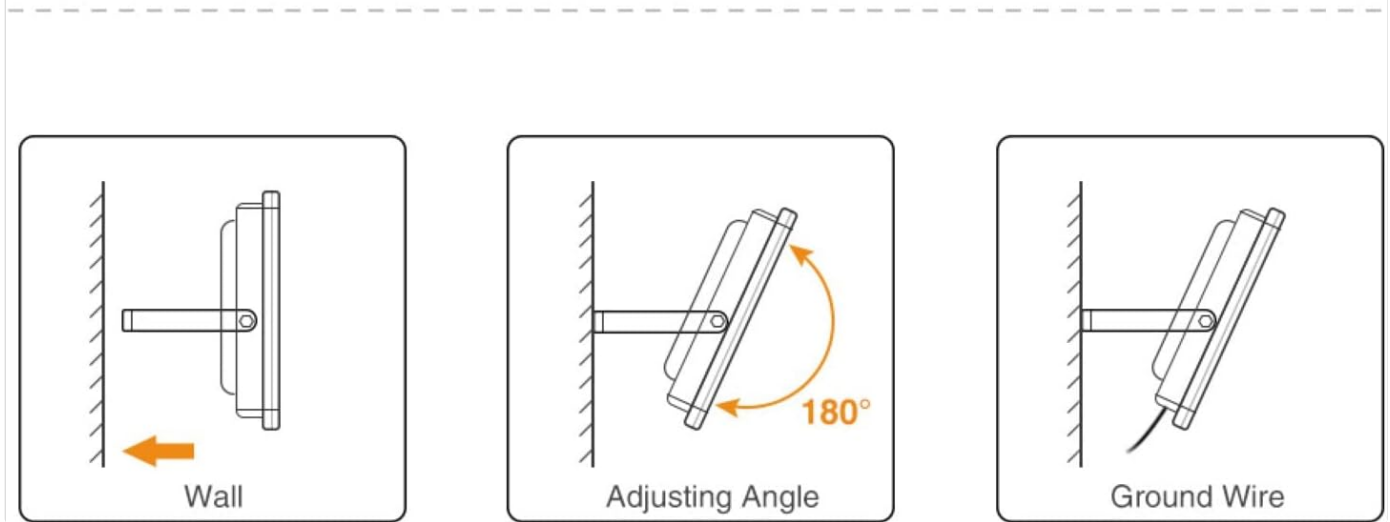
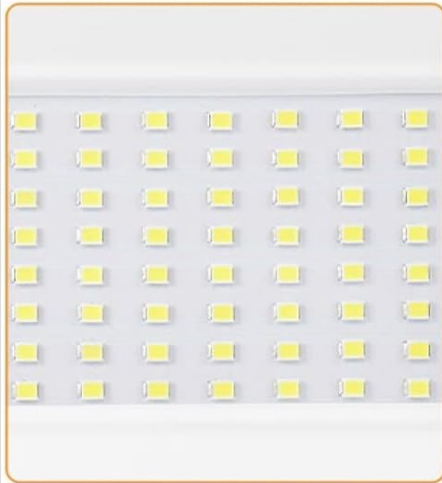
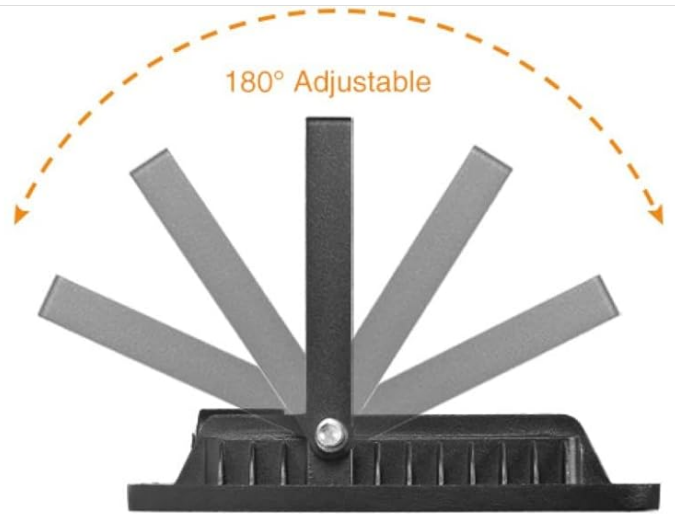


Figure 5.1: Product dimensions and various mounting configurations (wall, adjustable angle, ground wire connection).

ADJUSTABLE BRACKET

0-180° adjustable to meet your needs



SMD 2835 Highlight LED



High Quality Aluminum



Adjustable Bracket

Figure 5.2: The adjustable bracket allows for 0-180° positioning, showcasing the SMD 2835 Highlight LED and high-quality aluminum housing.

5.2 Wiring Instructions

This flood light is hardwired. Connect the wires accurately as follows:

- **Brown Wire:** Connect to Live Wire (L)
- **Blue Wire:** Connect to Neutral Wire (N)
- **Yellow/Green Wire:** Connect to Ground Wire (G)

Ensure all connections are secure and insulated. This product does not contain a plug.



Figure 5.3: Wiring diagram showing Live, Neutral, and Ground connections, along with the heat dissipation design on the back of the fixture.

6. OPERATING INSTRUCTIONS

Once properly installed and wired, the TTiiLoe 50W LED Flood Light operates by simply connecting it to a power source controlled by a standard wall switch or other electrical control system.

- **Power On:** Activate the connected power switch to illuminate the flood light.
- **Power Off:** Deactivate the connected power switch to turn off the flood light.
- The light features a 120° wide beam angle, providing broad illumination for large areas.
- The high-quality LED driver IC ensures instant illumination with no flicker.



Super Bright:3500Lm
Color Temperature:6000-6500K



Figure 6.1: Example of the flood light's super bright illumination (3500Lm) on a residential entrance.



Big Beam Angle

120-degree wide beam angle, providing a wide range of illumination.



Figure 6.2: Illustration of the 120-degree wide beam angle, providing extensive coverage.

7. MAINTENANCE

The TTiiLoo LED Flood Light requires minimal maintenance due to its durable design and long-lasting LED components.

- **Cleaning:** Periodically clean the surface of the light with a soft, damp cloth to remove dust and debris. Do not use abrasive cleaners or solvents.
- **Inspection:** Regularly inspect the wiring and mounting bracket for any signs of wear, damage, or loose connections. Address any issues promptly.
- Ensure proper heat dissipation by keeping the rear of the fixture clear of obstructions.

8. TROUBLESHOOTING

If you encounter issues with your flood light, refer to the following common problems and solutions:

| Problem | Possible Cause | Solution |
|---------------------------|-----------------------------------------------------------------------------|-------------------------------------------------------------------------------------------------------------------------------------------------------------|
| Light does not turn on. | No power supply; Loose wiring connection; Faulty switch or circuit breaker. | Check power supply at the source; Verify all wiring connections are secure; Test the switch and circuit breaker. Consult a qualified electrician if needed. |
| Light is dim or flickers. | Insufficient power; Loose connection; Damaged internal components. | Ensure stable power supply; Check wiring connections; If problem persists, contact customer support. |
| Water inside the fixture. | Improper installation; Damaged seal. | Ensure all seals are properly seated and the fixture is securely closed. If damage is present, contact customer support. |

9. WARRANTY AND SUPPORT

For warranty information or technical support, please contact TTiiLoe customer service through the retailer where the product was purchased or visit the official TTiiLoe store online. Please have your product model number and purchase date available when contacting support.

Visit the [TTiiLoe Store](#) for more products and information.