

Siamp 10005508

Siamp Dual Flush Mechanism for Built-in Toilet Frames (Model 10005508)

Instruction Manual

1. INTRODUCTION

This manual provides comprehensive instructions for the installation, operation, and maintenance of the Siamp Dual Flush Mechanism, Model 10005508. This mechanism is designed for use with Siamp ACTUA 2 to 7, ISIS, SAPHIR & AIGUE MARINE, and SENSEA REMIX, NEO, THEIA & TUTTI built-in toilet frames. Please read this manual carefully before installation and use to ensure proper function and longevity of the product.

2. SAFETY INFORMATION

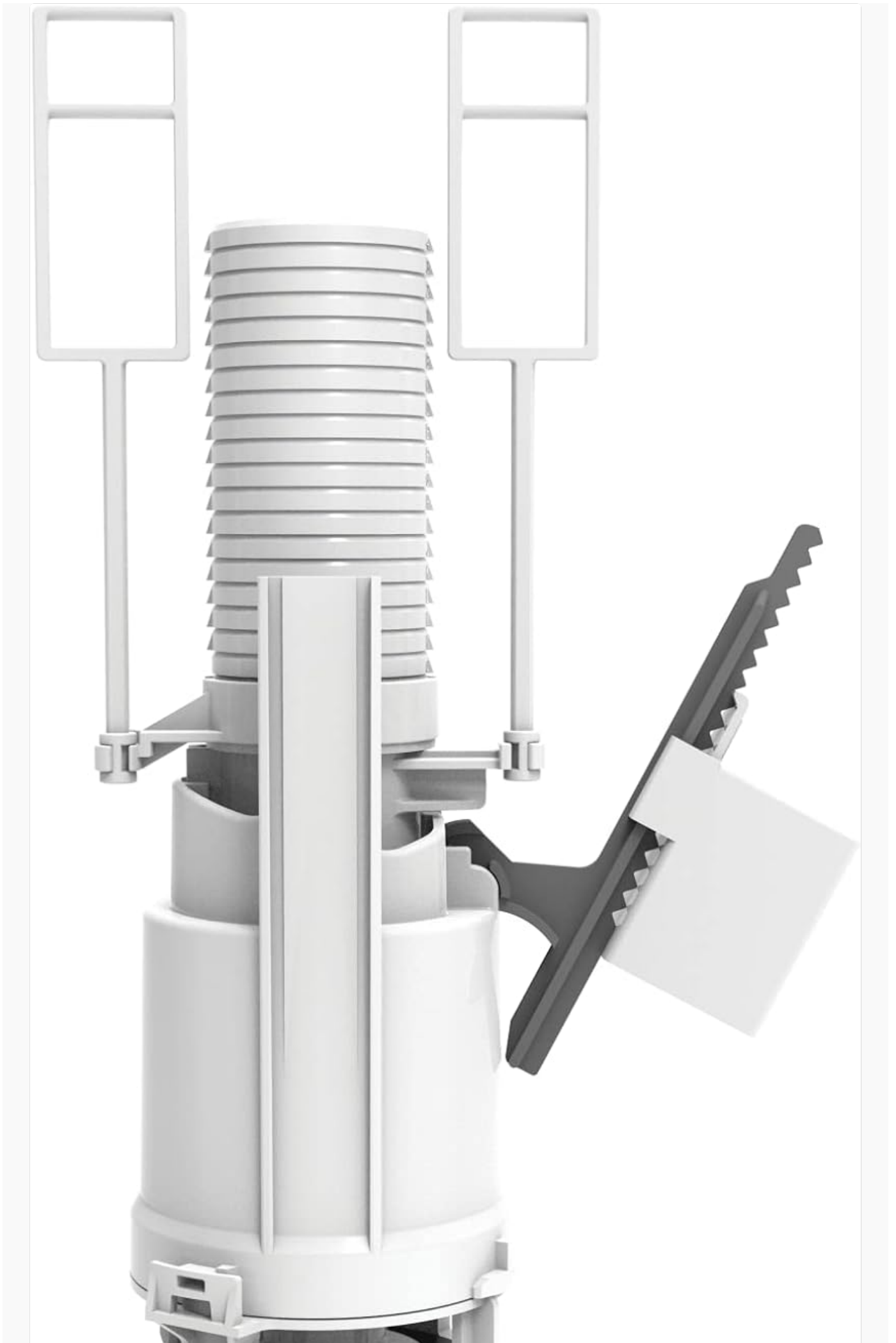
Always observe the following safety precautions:

- Ensure the water supply to the toilet is turned off before beginning any installation or maintenance.
- Wear appropriate personal protective equipment (e.g., gloves, eye protection) if necessary.
- If you are unsure about any step, consult a qualified plumber.
- Keep small parts out of reach of children.

3. PRODUCT COMPONENTS

The Siamp Dual Flush Mechanism consists of the following main parts:

- Dual flush valve body
- Adjustable overflow tube
- Dual push-button activation system (may be integrated or separate depending on frame)
- Sealing gasket
- Mounting nut



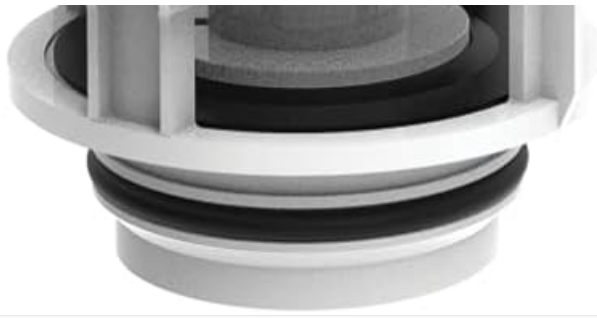


Figure 1: Overview of the Siamp Dual Flush Mechanism. This image displays the main body of the flush mechanism, including the adjustable overflow tube, the stirrup-type activation arms, and the base with its sealing components. The mechanism is primarily white plastic with some grey components.

4. INSTALLATION INSTRUCTIONS

Follow these steps for proper installation of the flush mechanism:

- 1. Prepare the Toilet Cistern:** Ensure the cistern is clean and free of debris. Turn off the water supply and drain any remaining water.
- 2. Remove Old Mechanism (if applicable):** Unscrew the mounting nut from the underside of the cistern and carefully remove the old flush mechanism. Clean the opening thoroughly.
- 3. Install New Mechanism:**
 - Place the sealing gasket onto the base of the new Siamp mechanism.
 - Insert the mechanism into the cistern's flush opening from the inside.
 - From the underside of the cistern, thread and tighten the mounting nut securely. Do not overtighten, as this can damage the mechanism or cistern.
- 4. Adjust Overflow Tube:** The overflow tube height should be set approximately 1 cm below the overflow level of the cistern. Adjust by sliding the upper part of the tube to the desired height.
- 5. Connect Activation:** Connect the dual push-button activation system (not included, typically part of the toilet frame) to the stirrup arms of the flush mechanism. Ensure both full flush (6L) and reduced flush (3L) functions are correctly aligned and operate smoothly.
- 6. Test Functionality:** Turn on the water supply and allow the cistern to fill. Perform several full and reduced flushes to check for leaks and proper operation. Adjust the push-button connections if necessary for optimal performance.

5. OPERATING INSTRUCTIONS

This Siamp mechanism features a dual-volume flush system for water conservation:

- **Full Flush (6 Liters):** Press the larger button or the full flush side of the dual push-button. This releases approximately 6 liters of water for solid waste.
- **Reduced Flush (3 Liters):** Press the smaller button or the reduced flush side of the dual push-button. This releases approximately 3 liters of water for liquid waste, saving water.

Ensure the buttons are fully depressed and released for complete flushing cycles.

6. MAINTENANCE AND CARE

Regular maintenance helps ensure the longevity and efficient operation of your flush mechanism:

- **Cleaning:** Periodically clean the mechanism components, especially the sealing gasket and the base, to prevent mineral buildup. Use a soft brush and mild, non-abrasive cleaning agents.
- **Inspection:** Inspect the sealing gasket for wear or damage. If water continuously runs into the toilet bowl, the gasket may need cleaning or replacement.
- **Avoid Harsh Chemicals:** Do not use harsh chemical cleaners, as they can damage plastic components and rubber seals.

7. TROUBLESHOOTING

Here are solutions to common issues you might encounter:

Problem	Possible Cause	Solution
Water continuously runs into the toilet bowl.	Worn or dirty sealing gasket. Mechanism not seated correctly. Obstruction under the gasket.	Turn off water, remove mechanism, clean or replace gasket. Re-seat the mechanism firmly. Remove any debris from the flush opening.
Weak or incomplete flush.	Incorrect water level in cistern. Obstruction in the flush valve. Push-button not fully activating the mechanism.	Adjust the fill valve to achieve the correct water level. Inspect and clear any obstructions. Adjust the connection between the push-button and the mechanism.
Buttons feel stiff or do not return properly.	Misalignment of push-buttons with mechanism. Debris around the push-button shafts.	Re-align or adjust the push-button assembly. Clean the area around the buttons.

8. SPECIFICATIONS

Brand	Siamp
Model Number	10005508
Compatibility	Siamp ACTUA 2-7, ISIS, SAPHIR & AIGUE MARINE; SENSEA REMIX, NEO, THEIA & TUTTI built-in toilet frames
Flush Volume	Dual Flush (3 Liters / 6 Liters)
Activation Type	Dual Push-Button (stirrup mechanism)
Main Material	Plastic
Threaded Connection	Yes
Mechanism Noise Level	Non-silent
Item Weight	590 grams

Packaged Dimensions (H x W x D)	10.9 cm x 18.3 cm x 40.6 cm
Packaged Weight	0.444 kg

9. WARRANTY INFORMATION

This product is covered by the standard manufacturer's warranty. Please retain your proof of purchase for any warranty claims. For specific warranty terms and conditions, refer to the documentation provided at the point of purchase or contact Siamp customer support.

10. CUSTOMER SUPPORT

If you require further assistance, have questions about installation, or need to report a problem, please contact Siamp customer support through their official website or the retailer where the product was purchased. Please have your model number (10005508) and proof of purchase ready.

