



[Manuals.plus](#) /

> [MAF](#) /

> MAF 14 Inch Twin Metal Platform Bed Frame Instruction Manual

MAF MT10-JD-AMZ01-14T

MAF 14 Inch Twin Metal Platform Bed Frame Instruction Manual

Model: MT10-JD-AMZ01-14T

1. INTRODUCTION

Thank you for choosing the MAF 14 Inch Twin Metal Platform Bed Frame. This bed frame is designed for durability, stability, and ease of use, providing a robust foundation for your mattress without the need for a box spring. It features heavy-duty steel construction, rounded corner legs for safety, and ample under-bed storage space. Please read this manual carefully before assembly and use to ensure proper setup and longevity of your product.



Image 1.1: MAF 14 Inch Twin Metal Platform Bed Frame with mattress, illustrating its design that eliminates the need for a box spring.

2. SAFETY INFORMATION

To ensure safe use of your bed frame, please adhere to the following guidelines:

- **Weight Capacity:** Do not exceed the maximum weight recommendation of 3000 pounds. Overloading the frame can compromise its structural integrity and lead to injury.
- **Proper Assembly:** Ensure all components are correctly assembled and all bolts are securely tightened as per the instructions. Loose connections can cause instability.
- **Regular Checks:** Periodically inspect all bolts and connections to ensure they remain tight. Retighten if necessary.
- **Floor Protection:** The frame includes rubber foot cushions to prevent sliding and protect your floors. Ensure these are properly installed and maintained.
- **Rounded Corners:** The bed frame is designed with rounded corners to minimize injury from accidental bumps. Exercise caution around the frame, especially in low light.

3. PARTS LIST

Before beginning assembly, verify that all parts are present and undamaged. If any parts are missing or damaged, please contact customer support.

Component	Quantity
Side Rails	2
End Rails	2
Center Support Bar	1
Support Legs	6
Metal Slats	Multiple (refer to packaging)
Mattress Stoppers	2
Rubber Foot Pads	6
Bolts, Washers, Nuts	Assorted (refer to packaging)
Hex Wrench	1

Note: The exact quantity of small components may vary slightly. Refer to the detailed diagram in your product packaging for precise counts.

4. SETUP INSTRUCTIONS

Assembly is designed to be straightforward and can typically be completed by one person in approximately 20 minutes. All necessary tools are included.

- Unpack Components:** Carefully remove all parts from the packaging and lay them out on a clean, soft surface to prevent scratches.
- Assemble Frame:** Connect the side rails and end rails using the provided bolts, washers, and nuts. Do not fully tighten bolts until the entire frame is assembled.
- Attach Support Legs:** Securely attach the support legs to the frame. Ensure the rubber foot pads are placed on the bottom of each leg to protect your floor and prevent slipping.
- Install Center Support Bar:** Fasten the center support bar to the designated points on the frame.
- Insert Slats:** Place the metal slats across the frame. The U-shaped grooves ensure the slats are fixed and do not slide.
- Install Mattress Stoppers:** Attach the plastic anti-skid baffles (mattress stoppers) to the frame. Ensure they are mounted outwards to effectively prevent the mattress from slipping.



Image 4.1: Correct installation of mattress stoppers (mounted outwards) to prevent mattress movement.

For a visual guide, please refer to the official installation video:

Your browser does not support the video tag.

Video 4.1: Official installation guide for the MAF 14 Inch Bed Frame with Round Corner Legs. This video demonstrates the step-by-step assembly process.

Once all components are in place, fully tighten all bolts using the provided hex wrench. Place your mattress directly on the assembled frame. No box spring is required.



Image 4.2: The fully assembled MAF 14 Inch Twin Metal Platform Bed Frame, ready for a mattress.

5. OPERATING INSTRUCTIONS

The MAF 14 Inch Twin Metal Platform Bed Frame is designed for simple and effective use.

- **Mattress Placement:** Place your twin-size mattress directly onto the metal slats. The frame is compatible with all standard twin size mattresses (75" x 39").
- **No Box Spring Required:** The heavy-duty metal slats provide optimal support for your mattress, eliminating the need for a traditional box spring.
- **Under-Bed Storage:** The 14-inch height of the frame provides 12.4 inches of clearance underneath, offering valuable storage space for boxes, luggage, or other items.
- **Noise Reduction:** The secure slat design and rubber foot pads contribute to a noise-free experience, preventing squeaks and creaks during use.



Image 5.1: Illustration of the 12.4 inches of under-bed storage space provided by the bed frame.

6. MAINTENANCE

To maintain the condition and performance of your MAF bed frame, follow these simple maintenance steps:

- **Cleaning:** Wipe the metal frame with a soft, damp cloth. Avoid using harsh chemicals or abrasive cleaners, which can damage the finish.
- **Bolt Tightness:** Periodically (e.g., every 3-6 months) check all bolts and connections. Retighten any loose bolts to ensure stability and prevent noise.
- **Inspect Foot Pads:** Ensure the rubber foot pads are intact and securely attached to the legs. Replace if worn or missing to protect your floors.
- **Weight Distribution:** Avoid concentrating heavy loads on a single point of the frame. Distribute weight evenly across the mattress.

7. TROUBLESHOOTING

If you encounter any issues with your bed frame, refer to the following common problems and solutions:

- **Squeaking or Noise:**

- **Solution:** Check all bolts and connections. Tighten any that are loose. Ensure the rubber foot pads are correctly installed and not worn. The frame is designed to be noise-free, so persistent noise usually indicates a loose connection.

- **Mattress Slipping:**

- **Solution:** Verify that the plastic anti-skid baffles (mattress stoppers) are correctly installed and facing outwards. If the mattress still slides, ensure it is properly centered on the frame.

- **Instability/Wobbling:**

- **Solution:** Ensure the frame is on a level surface. Recheck all assembly points and tighten all bolts. If the issue persists, disassemble and reassemble the frame, paying close attention to each step.

8. SPECIFICATIONS

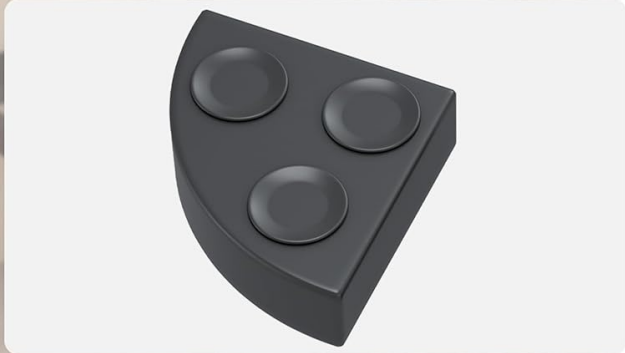
Detailed specifications for the MAF 14 Inch Twin Metal Platform Bed Frame:

Feature	Detail
Size	Twin
Material	Heavy-Duty Metal
Product Dimensions (L x W x H)	74.5" x 38" x 14"
Compatible Mattress Size	75" x 39"
Under-Bed Clearance	12.4 Inches
Maximum Weight Capacity	3000 Pounds
Slat Distance	5.1 Inches
Special Features	Rounded Corners, Steel Slat Support, No Box Spring Needed, Easy Assembly, Storage Space, Squeak Resistant, Anti-Slip Design
Model Number	MT10-JD-AMZ01-14T
Color	Black



NO.1

ROUND CORNERS DESIGN
PREVENT INJURIES
CAUSED BY TOE BUMPS



NO.2

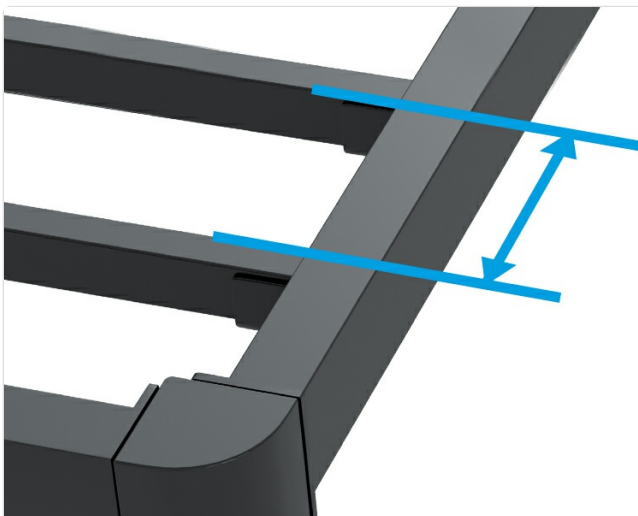
RUBBER MAT
NOISE FREE AND ANTI-SLIP
FLOOR PROTECTION



NO.3

ANTI-SLIP BAFFLES
FITURES STOP THE MATTRESS
FROM SLIPPING

Image 8.1: Key dimensions of the Twin MAF Metal Platform Bed Frame.



SLATS DISTANCE

TWIN/FULL: 5.1"
QUEEN/KING: 5.5"

Image 8.2: Illustration of the slat distance, which is 5.1 inches for Twin/Full sizes.

9. WARRANTY AND SUPPORT

This MAF Twin Metal Platform Bed Frame comes with a **5-year after-sale service**. We are committed to providing high-quality products and excellent customer support.

If you have any questions, require assistance with assembly, or need to report a missing/damaged part, please contact our customer service team. We will provide a satisfactory solution as soon as possible.

Customer Service Contact: Please refer to the contact information provided in your product packaging or on the MAF official website.