



Manuals.plus /

› **Tatub** /

› Tatub Stairway Bunk Bed Twin Over Twin/Full with Trundle and Staircase - Instruction Manual

## Tatub Bunk Bed

# Tatub Stairway Bunk Bed Twin Over Twin/Full with Trundle and Staircase - Instruction Manual

Model: Bunk Bed

Introduction	Safety Information	Package Contents	Setup & Assembly	Usage	Maintenance
	Troubleshooting	Specifications	Warranty & Support		

## 1. INTRODUCTION

Thank you for choosing the Tatub Stairway Bunk Bed. This manual provides essential information for the safe assembly, operation, and maintenance of your new bunk bed. Please read all instructions carefully before beginning assembly and retain this manual for future reference.

This versatile bunk bed features a convertible design, allowing it to function as a twin over twin or twin over full bed, complete with a pull-out trundle and a staircase with integrated storage drawers. Crafted from solid pine wood, it is designed for durability and functionality.



Figure 1: Tatub Stairway Bunk Bed with Trundle and Storage Staircase.

## 2. SAFETY INFORMATION

**WARNING:** Failure to follow these warnings and instructions could result in serious injury or death.

- Always use the recommended mattress size for both the upper and lower bunks, and the trundle.
- The maximum mattress thickness for the upper bunk should not exceed 6 inches.
- Ensure all connections are tight before use. Periodically check and tighten all fasteners.
- Do not allow children under 6 years of age on the upper bunk.
- Always use the staircase for entry and exit from the upper bunk. Never use a ladder or other means.
- Prohibit more than one person on the upper bunk.
- Prohibit horseplay on or under the bed.
- The upper bunk features a full-length guardrail. Ensure it is always properly installed and secured.
- The lower bunk includes a headboard and footboard for safety.
- Do not attach or hang items to any part of the bunk bed that are not designed for use with the bed; for example, but not limited to, hooks, belts, and jump ropes.
- Keep these instructions for future reference.



High Guard Rails  
Surrounding

Storage Staircase

Pull-Out Trundle

Tatub Bunk Bed

Figure 2: Key safety features including high guard rails and the secure staircase.

### 3. PACKAGE CONTENTS

Before assembly, please ensure all parts are present and undamaged. If any parts are missing or damaged, do not proceed with assembly. Contact Tatub customer support immediately.

- Upper Bunk Frame Components
- Lower Bunk Frame Components (convertible Twin/Full)
- Trundle Bed Frame Components
- Staircase Unit with 4 Drawers
- Bed Slats (for upper, lower, and trundle beds)
- Guardrails

- Assembly Hardware (screws, bolts, nuts, etc.)
- Assembly Tools (e.g., Allen wrench)



Figure 3: The bed's convertible design allows it to separate into individual beds and a trundle.

## 4. SETUP & ASSEMBLY

Assembly requires two adults. Clear a spacious area for assembly. Follow the step-by-step instructions provided in the separate assembly guide included with your packaging. The general steps are outlined below:

1. **Unpack and Identify Parts:** Lay out all components and hardware. Refer to the parts list in your assembly guide to ensure everything is present.
2. **Assemble Lower Bed Frame:** Begin by assembling the headboard, footboard, and side rails for the lower bed. Decide whether to assemble it as a Twin or Full size at this stage.
3. **Assemble Upper Bed Frame:** Construct the upper bed frame, including its headboard, footboard, and side rails.
4. **Install Bed Slats:** Securely attach the bed slats to both the upper and lower bed frames. No box spring is required.
5. **Assemble Trundle Bed:** Assemble the trundle bed frame and install its slats.
6. **Assemble Staircase Unit:** Construct the staircase unit, including the four storage drawers and any integrated bookshelves. The staircase can be installed on either the left or right side of the bunk bed to suit your room layout.
7. **Attach Guardrails:** Securely attach the full-length guardrails to the upper bunk.
8. **Connect Components:** Carefully lift and connect the upper bunk to the lower bunk frame. Then, attach the assembled staircase unit to the bunk bed structure.
9. **Final Checks:** Ensure all bolts, screws, and fasteners are tightened securely. Do not overtighten.

## Grow with them furniture

Sweet bunk beds become independent beds for your children when they grow up  
It brings out the maximum childhood experience.



Figure 4: The lower bed can be configured as either a twin or full size, offering flexibility.

### Twin-Twin or Full Bunk Bed with Trundle & Staircase 2 neutral colors for boys and girls



Figure 5: Weight capacities and recommended mattress thickness for safe use.

## 5. USAGE

### 5.1 Convertible Bed Functionality

The Tatub Stairway Bunk Bed offers flexible configurations:

- **Twin over Twin with Trundle:** The standard configuration, providing two twin sleeping surfaces and an additional pull-out trundle.
- **Twin over Full with Trundle:** The lower bed can be expanded to a full-size bed, offering more

sleeping space, while retaining the upper twin bunk and trundle.

- **Separate Beds:** The bunk bed can be disassembled into two independent beds (one twin, one twin or full) and a separate trundle, allowing for versatile room arrangements as needs change.

## 5.2 Trundle Bed Operation

The trundle bed is designed for easy access and storage:

- To use the trundle, gently pull it out from under the lower bunk. It is equipped with wheels for smooth movement.
- To store, push the trundle back under the lower bunk until it is fully recessed.

## 5.3 Storage Staircase

The staircase provides safe access to the upper bunk and includes integrated storage:

- Each step contains a pull-out drawer for storing clothes, toys, or other items.
- The staircase also features open shelves, ideal for books or decorative items.
- Always use the handrails when ascending or descending the staircase.

# Storage Staircase



- ✓ 1. With 4 storage drawers and handles
- ✓ 2. Small bookshelf under the staircase
- ✓ 3. Staircase with handrails are safer and more comfortable
- ✓ 4. A flexible staircase can be placed left and right

 Tatub Bunk Bed

Figure 6: The staircase offers four storage drawers and integrated shelving.

## 6. MAINTENANCE

- **Cleaning:** Wipe the wood surfaces with a soft, damp cloth. Avoid harsh chemicals or abrasive cleaners, as these can damage the finish.
- **Fastener Checks:** Periodically (e.g., every 3-6 months) check all bolts, screws, and fasteners to ensure they are tight. Retighten as necessary to maintain stability and safety. Do not overtighten.
- **Wood Care:** As the bed is made of pine wood, protect it from extreme temperature changes and direct sunlight to prevent warping or fading.
- **Mattress Care:** Follow the care instructions provided with your mattresses.

## 7. TROUBLESHOOTING

<b>Problem</b>	<b>Possible Cause</b>	<b>Solution</b>
Bed feels wobbly or unstable.	Loose fasteners.	Check and tighten all bolts and screws. Ensure the bed is on a level surface.
Squeaking noises.	Loose connections or friction between wood parts.	Tighten all fasteners. Apply a small amount of paraffin wax or silicone spray to contact points if squeaking persists.
Trundle does not slide smoothly.	Obstruction under the bed or dirty wheels.	Clear any obstructions. Clean trundle wheels and the floor area. Check for bent wheels.
Drawers stick or are difficult to open/close.	Misalignment or debris in the drawer slides.	Check drawer alignment. Clear any debris from the slides. Apply a small amount of silicone spray to the slides if needed.

## 8. SPECIFICATIONS

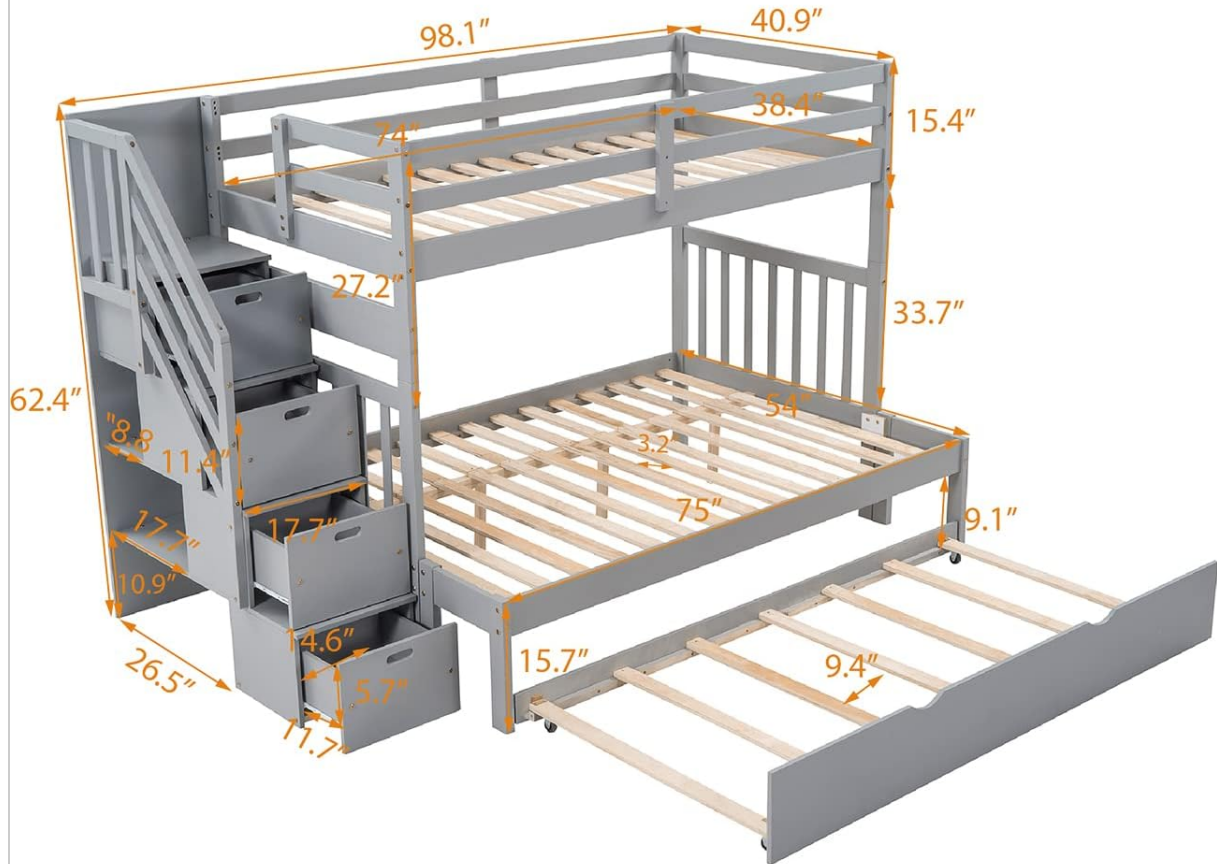
<b>Feature</b>	<b>Detail</b>
Model	Bunk Bed
Brand	Tatub
Size	Twin-Twin/Full (Convertible)
Product Dimensions	98"L x 54"W x 62"H
Material	Pine Wood
Color	Grey
Upper Bunk Weight Capacity	200 lbs
Lower Bunk Weight Capacity	250 lbs
Trundle Weight Capacity	200 lbs
Recommended Upper Mattress Thickness	6 inches or less
Number of Slats	35 (total for all beds)
Assembly Required	Yes
Special Features	Convertible Twin/Full, Trundle, Staircase with 4 Storage Drawers, Reversible Staircase, Guardrails

## Tatub Bunk Bed

Suggested mattress thickness:

6 inches or less

Number of slats: 35



Weight capacity:

Upper: 200 lbs Lower: 250 lbs Trundle: 200 lbs

Figure 7: Overall dimensions and key measurements of the bunk bed.

## 9. WARRANTY & SUPPORT

Tatub stands behind the quality of its products. For specific warranty information, please refer to the warranty card included with your purchase or contact Tatub customer support directly. If you have any questions, require replacement parts, or need assistance with assembly, please reach out to our customer service team.

**Customer Support:** Please visit the Tatub store on Amazon or refer to your purchase documentation for contact details.