

Manuals+

[Q & A](#) | [Deep Search](#) | [Upload](#)

manuals.plus /

- › [Ganiza](#) /
- › [Ganiza V25 Cordless Stick Vacuum Cleaner User Manual](#)

Ganiza V25

Ganiza V25 Cordless Stick Vacuum Cleaner User Manual

Model: V25

1. IMPORTANT SAFETY INSTRUCTIONS

Please read all instructions carefully before using this appliance. Failure to follow these instructions may result in electric shock, fire, or serious injury.

- This appliance is for household use only. Do not use outdoors or on wet surfaces.
- Do not allow children to operate the vacuum cleaner. Close supervision is necessary when used near children.
- Do not pick up flammable or combustible liquids, such as gasoline, or use in areas where they may be present.
- Do not pick up anything that is burning or smoking, such as cigarettes, matches, or hot ashes.
- Do not use without the dust cup and filters in place.
- Turn off the appliance before connecting or disconnecting the motorized brush, charging, or performing any maintenance.
- Use only the charger supplied by the manufacturer to recharge the appliance.
- Store the vacuum cleaner indoors in a dry place.

2. PRODUCT OVERVIEW

The Ganiza V25 Cordless Stick Vacuum Cleaner is designed for efficient cleaning of various surfaces. It features a powerful brushless motor, multi-stage filtration, and versatile attachments.

Key Features:

- **28Kpa Max Suction:** Provides strong cleaning power for various debris.
- **280W Brushless Digital Motor:** Ensures efficient and quiet operation.
- **4-Stage High-Efficient Filter System:** Includes Cyclone Filter, Stainless Steel Strainer, HEPA Filter, and Sponge Filter for thorough air purification.
- **Up to 45 Minutes Runtime:** Long-lasting battery for extended cleaning sessions.
- **6-in-1 Versatility:** Easily converts to a handheld vacuum with multiple attachments.
- **LED Headlight:** Illuminates dark areas for improved visibility during cleaning.
- **Lightweight Design:** Easy to maneuver and carry.

Components:

Familiarize yourself with the main components of your Ganiza V25 vacuum cleaner.



Image: Main components of the Ganiza V25 Cordless Vacuum Cleaner, including the motor unit, extension wand, floor brush, and various accessories.

4-STAGE HIGH-EFFICIENT FILTER SYSTEM



Cyclone Filter



Stainless Steel Strainer



Hepa Filter



Sponge Filter



Image: Exploded view illustrating the 4-stage high-efficient filter system, including the cyclone filter, stainless steel strainer, HEPA filter, and sponge filter.

Your browser does not support the video tag.

Video: A detailed overview of the Ganiza V25 Cordless Vacuum Cleaner, demonstrating its features and functionality.

3. ASSEMBLY

Follow these steps to assemble your Ganiza V25 Cordless Stick Vacuum Cleaner.

- 1. Attach the Extension Wand:** Insert the metal extension wand into the main motor unit until it clicks securely into place.
- 2. Connect the Floor Brush:** Attach the motorized floor brush to the other end of the extension wand, ensuring it locks firmly.
- 3. Install Dust Cup:** Ensure the dust cup is properly attached to the main motor unit.
- 4. Attach Accessories (Optional):** For handheld use, detach the extension wand and connect desired accessories (crevice tool, brush tool) directly to the main motor unit.



Image: Visual guide demonstrating the simple steps for installing and removing the main components of the vacuum cleaner.

4. CHARGING THE BATTERY

Before first use, fully charge the battery. The battery takes approximately 45 minutes to fully charge.

1. **Direct Charging:** Connect the charger adapter directly to the charging port on the main motor unit.
2. **Wall Mount Charging:** If using the wall mount, place the vacuum cleaner on the wall mount and connect the charger adapter to the charging port on the wall mount.
3. The LED display on the main unit will indicate the charging status and battery level.

4-STAGE HIGH EFFICIENCY FILTER SYSTEM

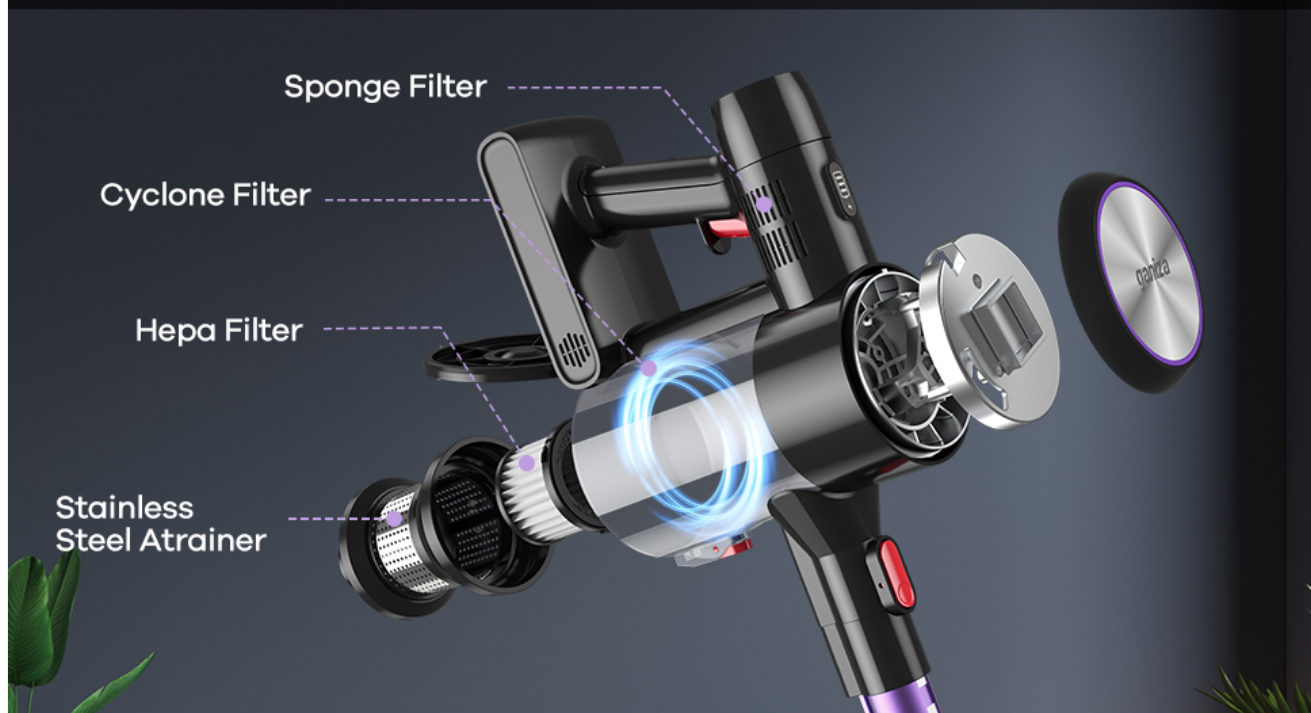


Image: Illustration of the two available charging methods: direct charging and charging via the wall-mounted dock.

5. OPERATING INSTRUCTIONS

Learn how to effectively use your Ganiza V25 vacuum cleaner for various cleaning tasks.

1. **Power On/Off:** Press the power button on the main unit to turn the vacuum on or off.
2. **Adjust Suction Power:** The vacuum features 3 power levels. Press the mode button to cycle through Eco, Standard, and Max suction modes.
3. **Using the Floor Brush:** The motorized floor brush is ideal for carpets and hard floors. The integrated LED headlight will illuminate the cleaning path. The brush head offers 180° wide-angle cleaning for easy maneuverability.
4. **Using Attachments:**
 - **Crevice Nozzle:** Use for narrow gaps, corners, and edges.
 - **Dust Brush:** Ideal for delicate surfaces, upholstery, and curtains.

NEW FLEXIBLE LED POWER BRUSH



Suitable for cleaning any conner

Image: The flexible LED power brush in action, highlighting its ability to clean various areas and illuminate dark spots.

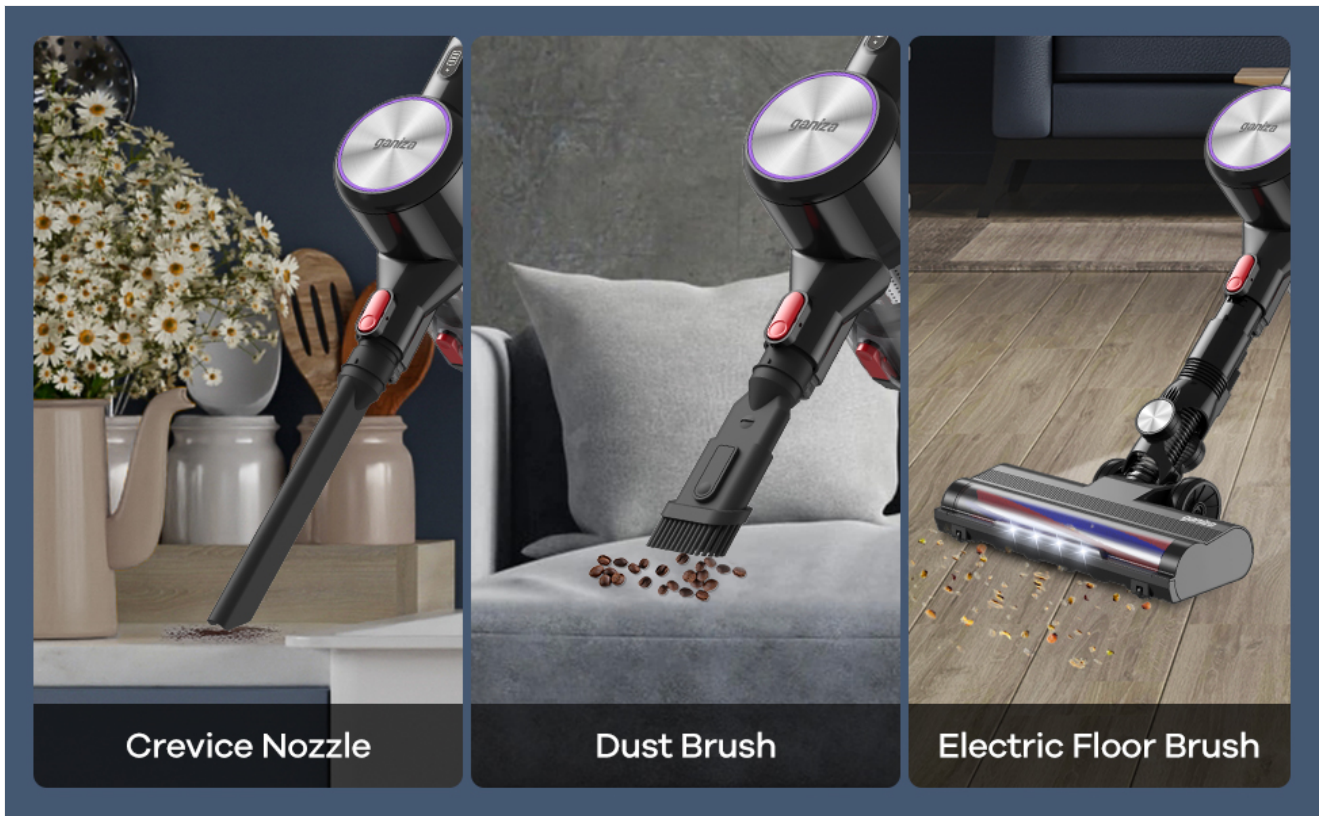


Image: Display of the Crevice Nozzle, Dust Brush, and Electric Floor Brush attachments, demonstrating their specific uses for different cleaning needs.

6. MAINTENANCE

Regular maintenance ensures optimal performance and extends the lifespan of your vacuum cleaner.

Emptying the Dust Cup:

Empty the dust cup after each use or when the MAX fill line is reached.

1. Ensure the vacuum is turned off.
2. Press the one-click release button on the dust cup to open the bottom flap.
3. Empty contents into a trash bin.
4. Close the dust cup flap securely.

ONE-CLICK DUST EMPTY



Image: Demonstration of the one-click dust emptying feature, showing how to release collected debris from the dust cup.

Cleaning the Filters:

The filters should be cleaned regularly to maintain suction power. The HEPA and sponge filters are washable.

1. Twist and pull to remove the dust cup from the main unit.
2. Remove the internal filter components (stainless steel strainer, HEPA filter, sponge filter).
3. Tap off loose dirt from the stainless steel strainer.
4. Rinse the HEPA filter and sponge filter under cold running water until the water runs clear.
5. Allow all filter parts to air dry completely for at least 24 hours before reassembling. Do not use a dryer or heat to dry.
6. Reassemble the filters and dust cup, ensuring all parts are securely in place.



Image: Close-up of the washable filter components, indicating they can be rinsed with water for cleaning.

Cleaning the Brush Roll:

Periodically check the brush roll for tangled hair or debris and remove as needed.

1. Turn off the vacuum and detach the floor brush.
2. Locate the brush roll release tab/button and remove the brush roll.
3. Use scissors or a cleaning tool to cut and remove any tangled hair or fibers.
4. Reinsert the brush roll, ensuring it clicks into place.

7. TROUBLESHOOTING

If you encounter issues with your Ganiza V25, refer to the following common problems and solutions.

Problem	Possible Cause	Solution
Vacuum does not turn on.	Battery is not charged. Power button not pressed correctly.	Charge the battery fully. Press the power button firmly.
Loss of suction.	Dust cup is full. Filters are clogged. Blockage in the nozzle or wand.	Empty the dust cup. Clean or replace filters. Check for and remove any blockages.
Brush roll not spinning.	Hair or debris tangled in brush roll. Brush roll is not properly installed.	Clean the brush roll. Ensure brush roll is securely clicked into place.
Battery runtime is short.	Battery not fully charged. Operating in Max power mode continuously.	Ensure battery is fully charged. Use Eco or Standard mode for longer runtime.

8. SPECIFICATIONS

Detailed technical specifications for the Ganiza V25 Cordless Stick Vacuum Cleaner.

Feature	Specification
---------	---------------

Feature	Specification
Brand	Ganiza
Model Number	V25
Special Feature	HEPA, Lightweight
Filter Type	HEPA Filter
Is Cordless?	Yes
Dust Cup Capacity	0.7 Liters
Wattage	280 watts
Charging Time	45 minutes
Maximum Suction	28 Kpa
Form Factor	Stick
Color	Purple Black
Product Dimensions	13"L x 5"W x 9"H
Battery Type	Lithium-Ion
Noise Level	75 Decibels
Battery Life (Runtime)	Up to 45 minutes
Number of Power Levels	3
Item Weight	6.2 pounds
Surface Recommendation	Carpet, Hardwoods
Power Source	Battery Powered

9. WARRANTY AND SUPPORT

Ganiza products are manufactured to high-quality standards. For warranty information, technical support, or any questions regarding your product, please refer to the warranty card included in your packaging or contact Ganiza customer service directly.

Please retain your proof of purchase for warranty claims.