

[Manuals.plus](#) /

› [Yaheetech](#) /

› Yaheetech YT-00116572 Hidden Cat Litter Box Enclosure Instruction Manual

Yaheetech YT-00116572

Yaheetech YT-00116572 Hidden Cat Litter Box Enclosure Instruction Manual

Model: YT-00116572 | Brand: Yaheetech

INTRODUCTION

Thank you for choosing the Yaheetech Hidden Cat Litter Box Enclosure. This multi-functional furniture piece is designed to discreetly house your cat's litter box, providing a private space for your pet while blending seamlessly with your home decor. It can also serve as a stylish side table or storage bench. This manual provides essential information for assembly, operation, and maintenance to ensure safe and optimal use of your product.



Image: The Yaheetech Hidden Cat Litter Box Enclosure, functioning as a side table with a cat bed on top, and another cat entering the enclosure. This image illustrates the product's primary use and aesthetic integration into a home environment.

SAFETY INFORMATION

- Always follow assembly instructions carefully.
- Do not exceed the maximum weight capacity of 40 kg (88 lbs) for the tabletop or bottom compartment.
- Keep small parts away from children and pets during assembly.
- Ensure all screws and fasteners are securely tightened before use. Periodically check and re-tighten if necessary.
- Place the enclosure on a flat, stable surface to prevent tipping.

SETUP AND ASSEMBLY

This product requires assembly. Please ensure all components are present before beginning. A Phillips head screwdriver (not included) is typically required.

Components Overview

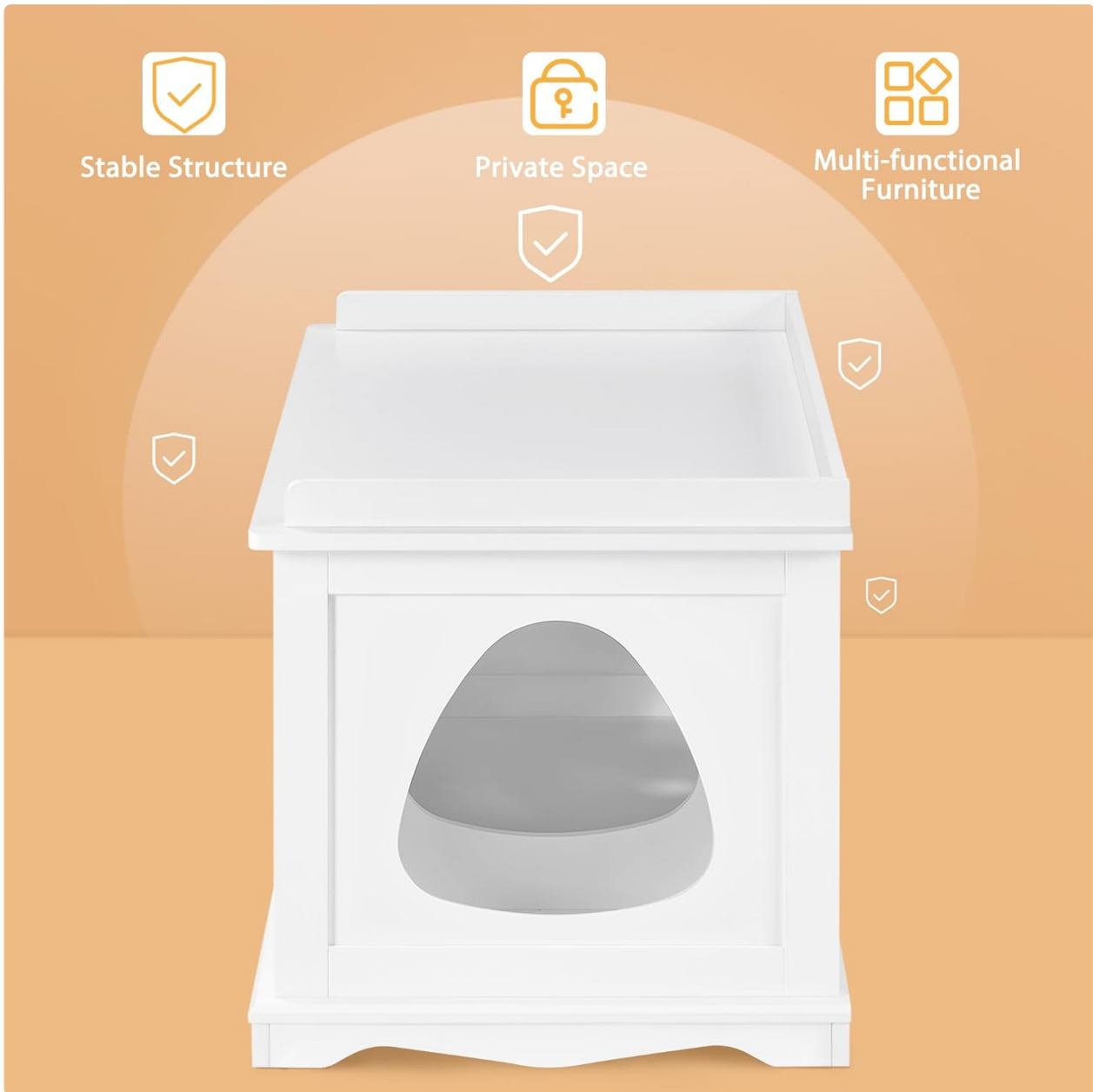


Image: An illustration highlighting the key features of the enclosure: stable structure, private space for pets, and its multi-functional design as furniture.

Assembly Steps (General Guidance)

- 1. Unpack and Identify Parts:** Carefully remove all components from the packaging. Refer to the included hardware list and diagrams to identify each piece.
- 2. Assemble Side Panels:** Attach the side panels to the base and top panels using the provided screws and dowels. Ensure the cat entry opening is oriented correctly.
- 3. Install Internal Divider:** The enclosure features a removable internal divider. Decide whether to install it for two separate compartments or omit it for a single spacious area. Secure the divider if desired.
- 4. Attach Back Panel:** Secure the back panel, ensuring the ventilation holes are facing outwards.
- 5. Install Doors:** Attach the two front doors using the hinges. Ensure the fixed door clips are properly aligned for secure closure.
- 6. Attach Handles:** Install the built-in handles on the doors.
- 7. Final Check:** Verify all connections are tight and the structure is stable.

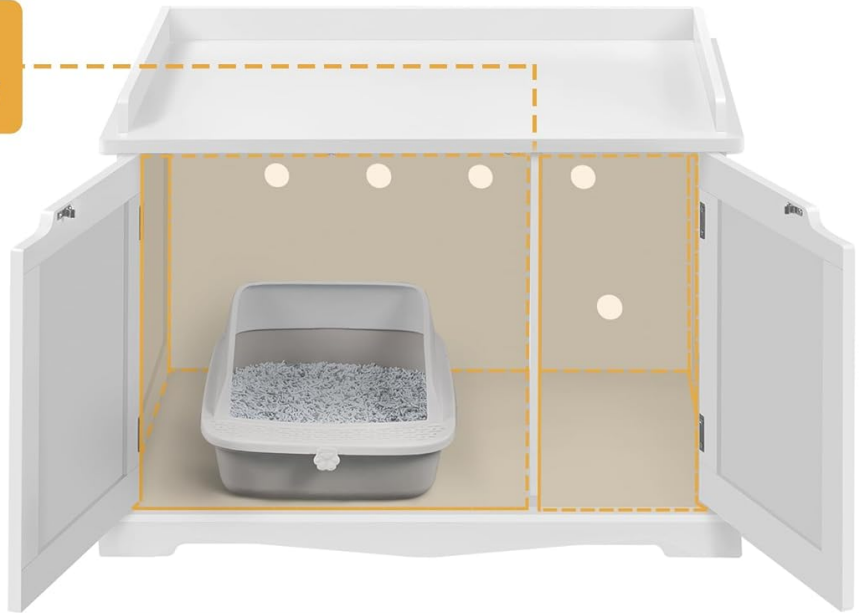
DESIGNED FOR CATS

The litter box or bed can be placed inside to provide a private space for the cat while reducing odor and keeping the environment clean.



Image: An interior view of the enclosure with the doors open, revealing a litter box placed inside. The image also highlights the fixed door clips, which ensure the doors remain securely closed.

Two Separate Compartments



A Complete and Spacious Space



Image: A visual comparison showing the enclosure's versatility. The top image depicts the interior divided into two separate compartments, while the bottom image shows the divider removed to create a single, spacious area.

OPERATION AND USE

The Yaheetech Hidden Cat Litter Box Enclosure offers multiple functionalities:

- **Litter Box Enclosure:** Place a standard cat litter box inside the main compartment. The cat entry opening allows your cat easy access while keeping the litter box out of sight and reducing odors.
- **Cat Bed/Mat Space:** If using the internal divider, the smaller compartment can be used for a cat bed or mat, providing a cozy resting spot.
- **Side Table/Storage Bench:** The sturdy tabletop can hold decorative items, books, lamps, or other household essentials. The internal compartments can also be used for general storage.

Key Features in Use

- **Two-Door Design:** The front doors open for easy access to the interior for cleaning or placing items.
- **Cat Entry Opening:** A dedicated opening on the side allows cats to enter and exit comfortably.
- **Ventilation:** Multiple vents on the back panel ensure good air circulation, helping to minimize odors and

maintain a fresh environment inside the enclosure.



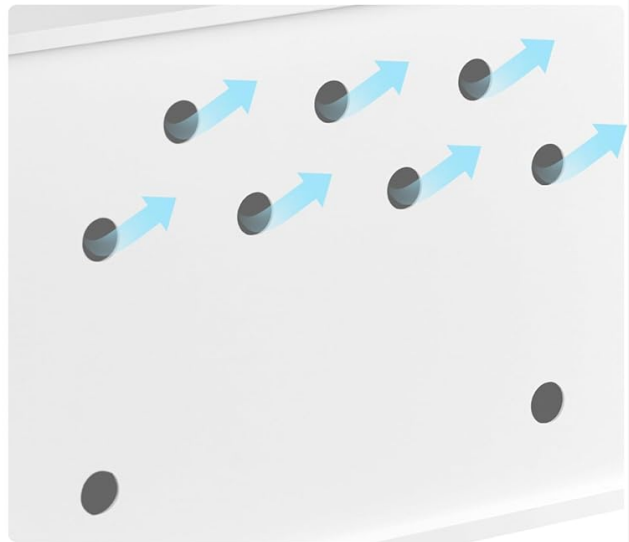
Spacious Space on the Tabletop



Built-in Handles, Convenient to Use



Side Door for Easy Entrance and Exit



Vents in the Back Panel for Better Ventilation

Image: A collage showcasing various features: the spacious tabletop for decor, convenient built-in handles on the doors, the side door for cat entry/exit, and the ventilation holes on the back panel.



Image: A cat is shown gracefully exiting the dedicated side door of the enclosure, demonstrating the ease of access for pets.



Image: A close-up view of the nine circular ventilation holes strategically placed on the back panel of the enclosure, designed to enhance air circulation.

MAINTENANCE AND CARE

- **Cleaning:** Wipe the exterior and interior surfaces with a damp cloth and mild detergent. Avoid abrasive cleaners or harsh chemicals that could damage the MDF material. Dry thoroughly after cleaning.
- **Odor Control:** Regular cleaning of the litter box and the enclosure interior, combined with the built-in ventilation, helps manage odors. Consider using odor-absorbing products inside the enclosure if needed.
- **Hardware Check:** Periodically inspect all screws and fasteners to ensure they remain tight. Re-tighten if any looseness is detected to maintain structural integrity.
- **Placement:** Avoid placing the enclosure in direct sunlight or near heat sources to prevent material warping or discoloration.

TROUBLESHOOTING

- **Problem:** Enclosure feels wobbly after assembly.

Solution: Ensure all screws are fully tightened. Check that the enclosure is placed on a level surface.

- **Problem:** Doors do not close properly.

Solution: Check the alignment of the hinges and fixed door clips. Adjust if necessary. Ensure no obstructions are preventing the doors from closing.

- **Problem:** Persistent odors.

Solution: Increase the frequency of litter box cleaning. Ensure the litter box itself is clean. Verify that the back panel vents are not obstructed to allow proper airflow. Consider using a higher quality litter or odor neutralizers.

- **Problem:** Cat is hesitant to use the enclosure.

Solution: Allow your cat time to adjust. Place familiar items (like a favorite toy or blanket) inside. Ensure the litter box is clean and easily accessible through the cat opening.

SPECIFICATIONS

Feature	Detail
Model Number	YT-00116572
Brand	Yaheetech
Color	White
Material	MDF (Medium Density Fiberboard), Metal Accessories
Overall Dimensions (L x W x H)	76 cm x 50 cm x 53 cm (30" x 20" x 21")
Left Compartment (Internal L x W x H)	47 cm x 45 cm x 41 cm (18.5" x 17.7" x 16.1")
Right Compartment (Internal L x W x H)	20 cm x 45 cm x 41 cm (7.9" x 17.7" x 16.1")
Tabletop Dimensions (L x W)	71 cm x 48 cm (28" x 18.9")
Raised Side Height	4 cm (1.6")
Cat Opening Height	27 cm (10.6")
Max Weight Capacity (Tabletop)	40 kg (88 lbs)
Max Weight Capacity (Bottom)	40 kg (88 lbs)
Net Weight	16 kg (35.5 lbs)
Gross Weight	17.5 kg (38.6 lbs)
Special Features	Hidden litter box, two-door design, scientific layout, good ventilation

Note: Please allow a measurement deviation of 1.25 cm (0.5 inches) due to manual measurement.

Suitable for a 17.7"x17.3" cat litter box (with the partition);
or a 26.4"x17.7" (max.) cat litter box and cats of all sizes

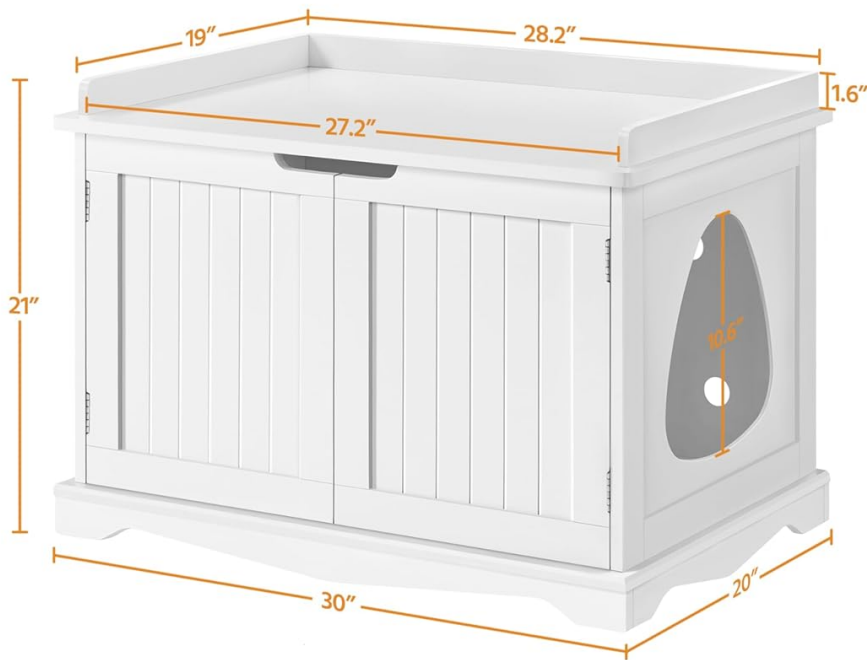
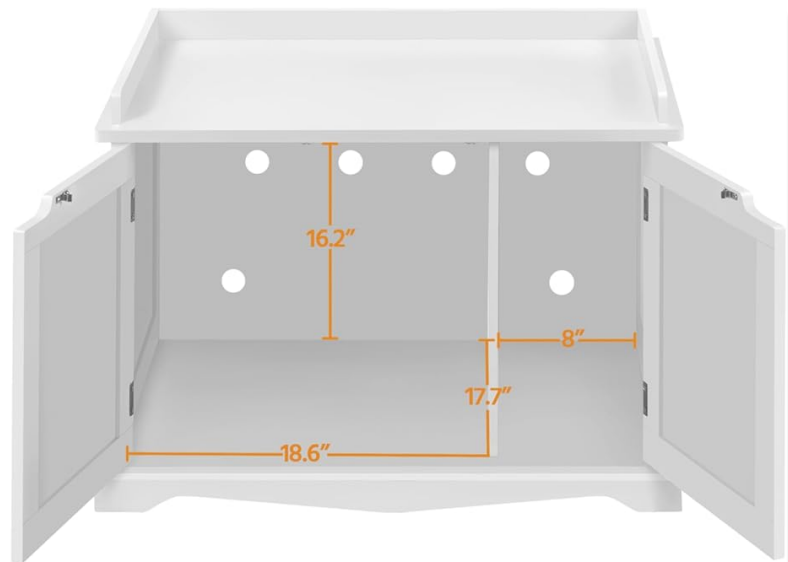


Image: A comprehensive diagram illustrating the external and internal dimensions of the cat litter box enclosure, including the cat entry height and compartment sizes.

WARRANTY AND SUPPORT

For any questions regarding assembly, missing parts, or product functionality, please contact Yaheetech customer support. While specific warranty details are not provided in this manual, please retain your proof of purchase for any warranty claims. Our customer service team is dedicated to assisting you with any issues you may encounter.

For further assistance, please visit the official Yaheetech website or contact your retailer.