



Manuals.plus /

› Kinder King /

› Kinder King 4-in-1 Portable Pack n Play Instruction Manual (Model EKK0028BK)

## Kinder King EKK0028BK

# Kinder King 4-in-1 Portable Pack n Play Instruction Manual

MODEL: EKK0028BK

Brand: Kinder King

## INTRODUCTION

---

This manual provides essential instructions for the safe assembly, operation, and maintenance of your Kinder King 4-in-1 Portable Pack n Play. This versatile nursery center is designed to adapt to your child's growth, functioning as a changing table, infant bassinet with or without a canopy/toys, and a toddler playard. Please read all instructions carefully before use and retain this manual for future reference.



*Image: The Kinder King 4-in-1 Portable Pack n Play, illustrating its various components and configurations.*

## **IMPORTANT SAFETY INFORMATION**

---

**WARNING:** Failure to follow these warnings and instructions could result in serious injury or death.

- Always ensure all locking mechanisms are securely engaged before placing a child in the playard or bassinet.
- Do not use the changing table if the child weighs more than **25 lbs (11.3 kg)** or can push up on hands and knees.
- The bassinet is for infants who cannot push up on hands and knees, are under **21 lbs (9.5 kg)**, and are less than **35 inches (89 cm)** tall.
- The playard is for children unable to climb out, less than **35 inches (89 cm)** tall, and weighing less than **33 lbs (15 kg)**.
- Never leave a child unattended.
- Do not add additional padding or mattresses to the playard or bassinet, as this can cause suffocation. Use only the mattress pad provided by the manufacturer.
- Keep the product away from open flames, heaters, and other heat sources.

- Inspect the product regularly for damaged hardware, loose joints, missing parts, or sharp edges. Do not use if any parts are missing or broken.
- Strings, cords, and ribbons can cause strangulation. Keep them away from children.

## PACKAGE CONTENTS

---

Please verify that all components are present before assembly:

- Main Playard Frame
- Removable Bassinet Insert
- Changing Table Attachment
- Adjustable Canopy with Hanging Toys
- Storage Basket/Organizer
- Mattress Pad
- Travel/Carry Bag
- Instruction Manual

## SETUP AND ASSEMBLY

---

No tools are required for assembly. Follow these steps carefully:

### Unfolding the Playard

1. **Step 1:** Remove the playard from the travel bag. Keep the playard upright.
2. **Step 2:** Separate the short side rails by pulling them upwards until they lock into place. Ensure they are rigid and fully extended.
3. **Step 3:** Separate the long side rails by pulling them upwards until they lock into place. Verify all four rails are locked. **Do not push down the center until all rails are locked.**
4. **Step 4:** Push down the center of the playard floor until it lies flat and is securely in place.
5. **Step 5:** Place the mattress pad inside the playard.

## SIMPLE TO INSTALL- No Tools Required

01



Keep your bed upright

02



Pull up the short side handrail

03



Pull up the long side handrail

04



Press the middle to complete the installation

*Image: Visual instructions for unfolding the playard frame.*

### Attaching the Bassinet

The bassinet insert creates a higher sleeping surface for infants.

1. Unzip the bassinet fabric from the main playard frame.
2. Secure the bassinet insert to the top rails of the playard using the clips or zippers provided. Ensure all fasteners are securely attached around the perimeter.
3. Place the mattress pad into the bassinet insert.

### Attaching the Changing Table

The changing table attaches to the top rails for convenient diaper changes.

1. Align the changing table attachment with the designated slots on the playard's top rails.
2. Press down firmly until it clicks into place. Ensure it is stable and level.
3. Always use the safety straps when using the changing table.

## Attaching the Canopy and Storage Basket

The canopy provides shade and includes hanging toys, while the storage basket keeps essentials handy.

- **Canopy:** Attach the canopy frame to the designated points on the bassinet or playard rails. The canopy is adjustable and removable. Hang the included toys from the canopy bar.
- **Storage Basket:** Hook the storage basket onto the side of the playard.



**Fun toys**



**Adjustable & Removable Canopy**



**Large Storage Basket**



**Removable Canopy**

*Image: Details of the canopy with toys, adjustable canopy, and large storage basket.*

## OPERATING MODES

---

Your Kinder King Pack n Play offers four distinct modes to accommodate your child's needs:

# 4 IN 1 MODES



Diaper Table



Baby Bassinet with Canopy



Baby Bassinet with Toy



Baby Playard

*Image: Overview of the four functional modes of the playard.*

## 1. Changing Table Mode

Use the attached changing table for convenient diaper changes. Ensure the table is securely fastened to the playard rails. Always keep one hand on your child while using the changing table.

# CHANGING TABLE

Parents can easily change diapers for newborn on the changing table without bending over.



*Image: The changing table in use, highlighting its ergonomic design.*

## **2. Infant Bassinet Mode (with/without Canopy & Toys)**

The bassinet provides a comfortable, elevated sleeping space for newborns. The canopy offers shade and can be adjusted or removed. The hanging toys provide visual stimulation.

# Breathable & Comfortable Sleeping Space

21lbs

- ✓ Four-Side Visible Mesh
- ✓ Visual canopy with toys
- ✓ Removable mattress



Image: The bassinet mode, emphasizing breathability and comfort for infants.

## 4 IN 1 MODES



Diaper Table



Baby Bassinet  
With Toy



Baby Bassinet  
with Canopy



Baby Playard

*Image: The bassinet with fun hanging toys, which can be detached.*

### 3. Toddler Playard Mode

Once your child outgrows the bassinet, remove the insert to use the full depth of the playard. This provides a secure and spacious area for play and rest.



*Image: The playard mode, showing its spacious design for toddlers.*

### Storage Basket

The attached storage basket provides convenient access to diapers, wipes, and other baby essentials.



*Image: The large diaper organizer, demonstrating its capacity for baby necessities.*

## PORTABILITY AND FOLDING

---

### Moving the Playard

The playard is equipped with two wheels for easy movement. To move, lift the end without wheels slightly and roll. To secure, press the locking mechanism on the wheels with one foot.



*Image: Demonstrating the ease of moving the playard with its integrated wheels and locking feature.*

## Folding for Travel or Storage

To fold the playard for compact storage or travel, follow these steps:

1. **Step 1:** Remove the mattress pad, changing table, bassinet insert, canopy, and any toys or accessories.
2. **Step 2:** Locate the center handle on the playard floor. Rotate it counter-clockwise 90 degrees and raise it slightly.
3. **Step 3:** Squeeze the levers on the middle of the short side rails and push downwards to release the rails. Repeat for the long side rails. Ensure all four rails are disengaged.
4. **Step 4:** Pull the center handle upwards completely to collapse the playard into a compact form.
5. **Step 5:** Secure the folded playard with the mattress pad wrapped around it, then place it into the travel bag.

# LARGE DIAPER ORGANIZER

The diaper organizer can be used to store your baby's daily necessities



Image: Visual guide for folding the playard and its compact travel size.

## MAINTENANCE AND CARE

### Cleaning Instructions

- **Fabric Parts:** Wipe clean with a damp cloth and mild soap. Do not use harsh detergents or abrasive cleaners. Air dry thoroughly.
- **Frame:** Wipe the metal and plastic parts with a soft, damp cloth.
- **Mattress Pad:** The mattress pad can be wiped clean with a damp cloth. Do not machine wash or tumble dry.

### Storage

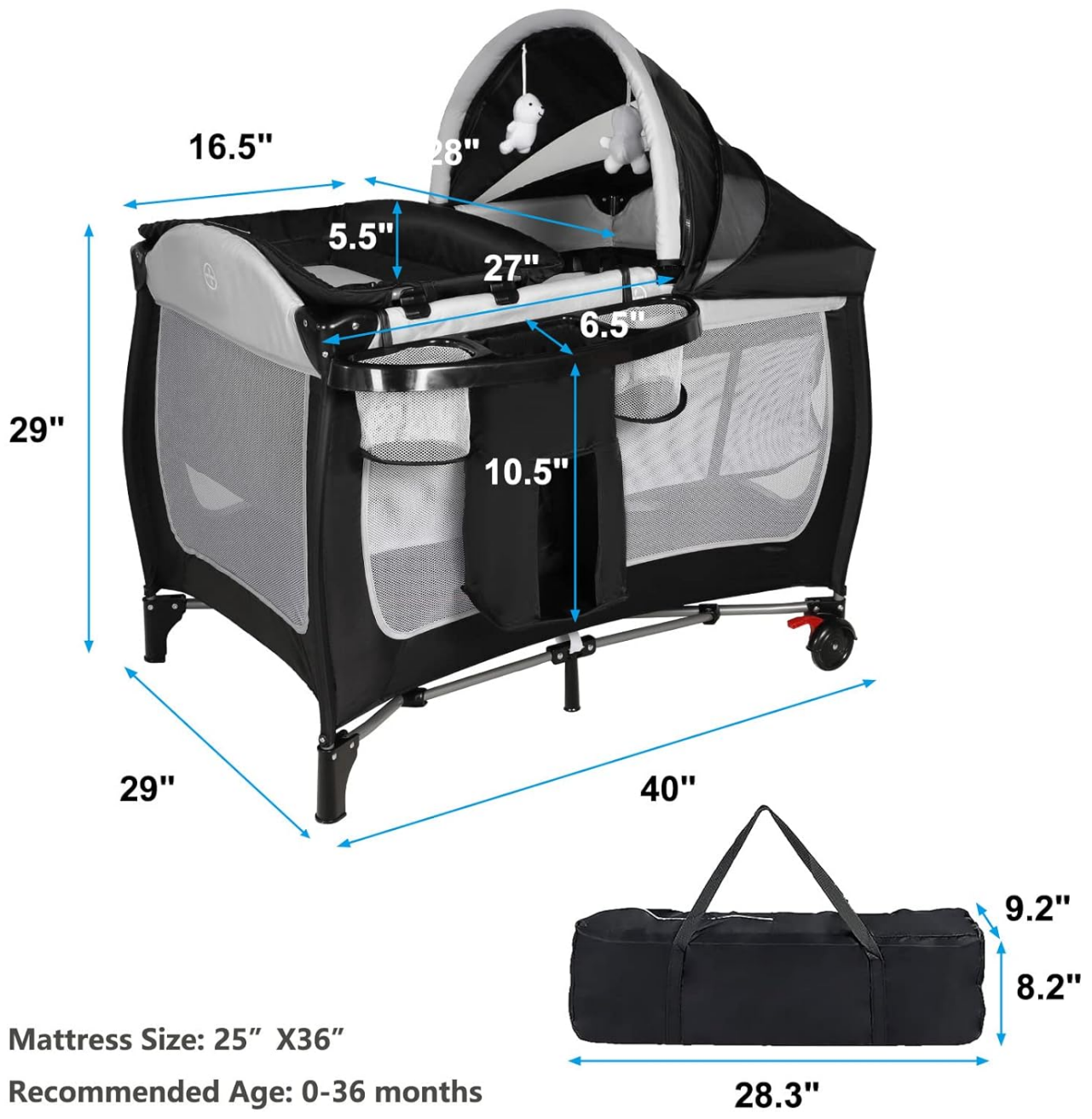
When not in use, store the playard in its travel bag in a clean, dry place, away from extreme temperatures and direct sunlight.

## TROUBLESHOOTING

Problem	Solution
Playard will not unfold/rails will not lock.	Ensure the center of the playard floor is not pushed down. The rails must lock into place before the center is fully lowered. Pull the center up slightly, lock the short rails, then the long rails, then push the center down.
Playard will not fold.	Ensure the center handle is rotated and pulled up completely. All accessories (bassinet, changing table, etc.) must be removed. The rails will only release if the center is pulled up.
Changing table or bassinet feels unstable.	Verify all clips, zippers, or attachment points are securely fastened to the playard rails. Do not exceed the maximum weight limits for each component.

## SPECIFICATIONS

Feature	Detail
Product Dimensions (L x W x H)	40 x 29 x 29 inches
Folded Size (L x W x H)	28.3 x 9.2 x 8.2 inches
Item Weight	22.8 pounds
Material Type	Pine, Fabric
Maximum Weight Recommendation (Playard)	33 Pounds
Maximum Weight Recommendation (Bassinet)	21 Pounds
Maximum Weight Recommendation (Changing Table)	25 Pounds
Recommended Age Range	Infant, Toddler (0-36 months)
Model Number	EKK0028BK



*Image: Detailed dimensions and specifications of the playard.*

## WARRANTY AND SUPPORT

For warranty information or product support, please refer to the documentation included with your purchase or contact Kinder King customer service. Contact details can typically be found on the product packaging or the official Kinder King website.

