

BUXFMHT Basic Version

BUXFMHT Basic Version Mini Electric Portable Sewing Machine Instruction Manual

Model: Basic Version

[Setup](#)

[Operating](#)

[Maintenance](#)

[Troubleshooting](#)

[Specifications](#)

[Warranty & Support](#)

INTRODUCTION

Thank you for choosing the BUXFMHT Basic Version Mini Electric Portable Sewing Machine. This manual provides essential information for the safe and efficient operation of your new sewing machine. Please read all instructions carefully before first use to ensure proper function and to prevent damage.

This compact and versatile sewing machine is designed for beginners and experienced users alike, offering 12 stitch patterns, dual speed control, and a complete sewing kit for various projects.

SETUP

1. Unboxing and Initial Inspection

Carefully remove all components from the packaging. Verify that all accessories listed in the product description are present. Inspect the machine for any visible damage from shipping.

Video: Unboxing and initial overview of the sewing machine, showing included accessories and basic components.

2. Power Connection

Connect the foot pedal to the designated port on the machine. Plug the power adapter into the machine and then into a suitable electrical outlet. The machine can also be powered by batteries (not included) for portable use.

3. Threading the Machine

Proper threading is crucial for smooth operation and to prevent thread jams or broken needles. Follow the numbered steps indicated on the machine and in the diagrams below.

1. Place the spool of upper thread onto the spool pin.
2. Guide the thread through the first thread guide (marked '1').
3. Pull the thread down through the tension disc area (marked '2').
4. Bring the thread up and through the take-up lever (marked '3').
5. Guide the thread down through the lower thread guide (marked '4').
6. Thread the needle from front to back (marked '5'). Ensure the thread length is at least 4 inches before sewing.



Image: Detailed diagram illustrating the correct path for threading the upper thread.

How Threading Goes

Please follow the right steps otherwise there may always be breaks or get stuck!



1 Free Testing Cloth



Image: Visual guide emphasizing threading the needle from front to back to prevent thread breakage.

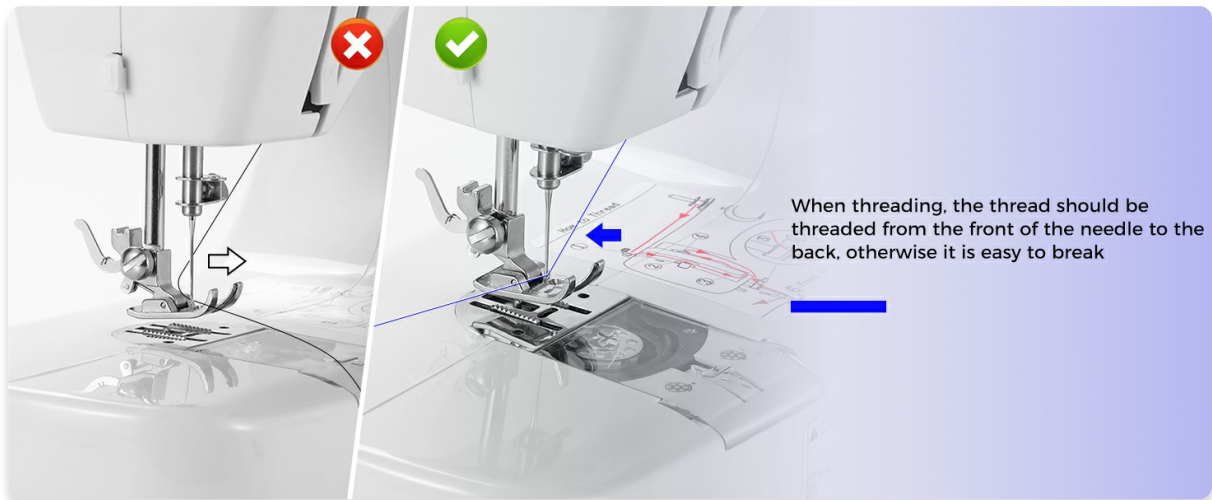


Image: Illustration of the recommended 4-inch thread length extending from the needle before starting to sew.

4. Bobbin Installation

Open the bobbin cover. Insert the pre-wound bobbin into its compartment, ensuring the thread unwinds in the correct direction (usually counter-clockwise). Pull the bobbin thread through the tension spring and out of the needle plate hole. Use the hand wheel to lower the needle once to pick up the bobbin thread, then pull both threads to the back.

5. Presser Foot

Ensure the presser foot is lowered onto the fabric before sewing. The presser foot lever is located on the back of the machine head.

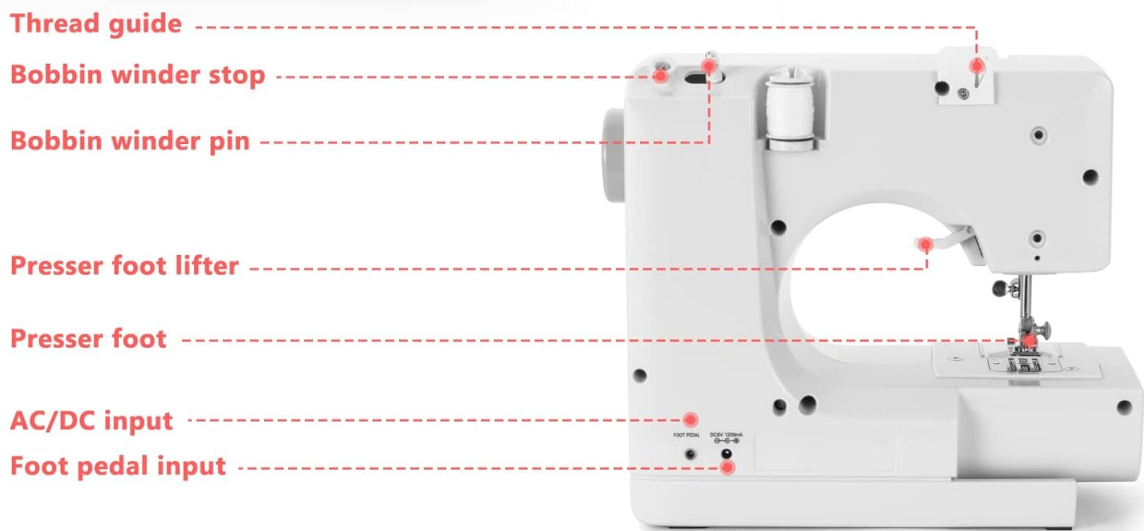
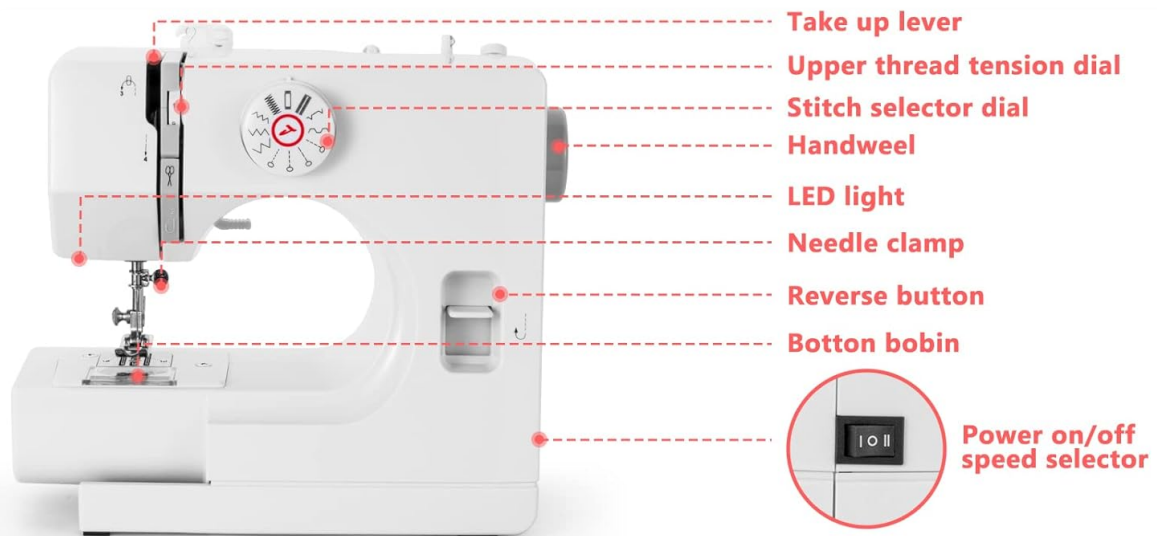


Image: Labeled diagram of the sewing machine's components, including the presser foot and its lifter.

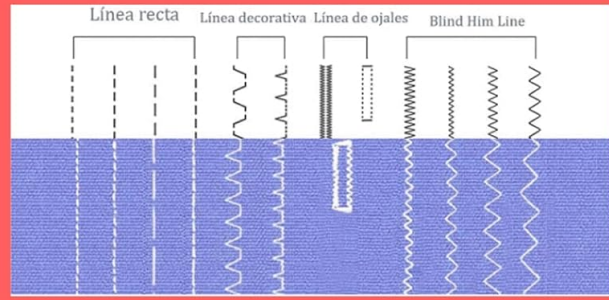
OPERATING INSTRUCTIONS

1. Stitch Selection

Turn the stitch selector dial to choose one of the 12 available stitch patterns. Each pattern is designed for different sewing needs, from basic straight stitches to decorative and buttonhole stitches.

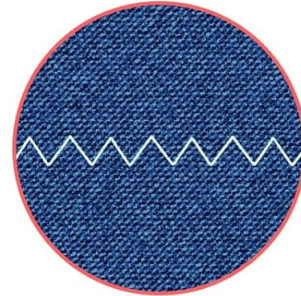


Intuitive Stitch Selection



No need for complicated number cross-referencing

12 stitch patterns to meet your sewing needs



Large V-linked pattern



Double-closed dashed line pattern

Image: Close-up of the intuitive stitch selection dial, showing 12 distinct stitch patterns.

2. Speed Control

The machine features dual speed control. Use the speed switch to select between low and high speeds, depending on your comfort level and the complexity of the task.

3. Reverse Stitch

To reinforce stitches at the beginning and end of a seam, use the reverse stitch button. This locks the stitches in place, preventing unraveling.

4. Sewing Fabric

Place your fabric under the presser foot. Ensure the needle is inserted into the fabric before starting to sew. The machine is capable of sewing up to 5 layers of fabric, including leather, jeans, and various clothing materials.



Sew up to 5 layers of fabric



With LED lighting



With non-slip pads



Bottom hidden battery area

Image: The sewing machine in action, demonstrating its capability to sew through multiple layers of fabric with ease.

- ▶ High quality improved tempered needles
- ▶ Easily sew multiple layers of fabric



Image: A close-up view of the high-quality tempered needle piercing through thick fabric, highlighting durability.

APPLICABLE FABRIC CHART				
	Cotton/Linen	Silk/Wool	Polyester	Elastic
Regular	✓	✗	✓	△
Thick	✓	✗	✓	△
Thin	✓	✗	✗	✗
Hard	✓	✓	✓	△
Soft	✓	✗	✗	✗

1 Reference: ✓ Compatible with themachine ✗ Not compatible with the machine △ Unstable performance
2 The definition of the fabric thickness: Thin:Thickness<0.35mm Thick:Thickness>0.8mm Regular:0.35mm<Thickness<0.8mm
3 The definition of elastic fabric: If the fabric,which size is "100mm*30mm, is extended to or over 106mm under 0.5kg tension force, then the fabric is defined as "elastic",otherwise it is "inelastic". Elastic fabric is not recommended to apply in this machine.

Image: A chart detailing the compatibility of various fabric types (Cotton/Linen, Silk/Wool, Polyester, Elastic) with the sewing machine, indicating suitable thicknesses.

5. Foot Pedal Usage

The included foot pedal allows for hands-free speed control. Press the pedal to start sewing and release to stop. This provides precise control over your stitching.

Video: Demonstration of connecting and using the foot pedal for controlling the sewing machine.

MAINTENANCE

1. Cleaning

Regularly clean the machine, especially around the needle plate and bobbin area, to remove lint and dust. Use a soft brush or cloth. Disconnect from power before cleaning.

2. Needle Replacement

Replace needles regularly, especially if they become bent, dull, or break. Using a damaged needle can lead to skipped stitches or fabric damage. Always use the correct needle type for your fabric.

TROUBLESHOOTING

If you encounter issues with your sewing machine, please refer to the following common problems and solutions:

1. Thread Jamming or Tangling

This is often caused by incorrect threading of the upper thread or bobbin. Re-thread both the upper thread and the bobbin carefully, ensuring all guides and tension discs are correctly engaged. Also, ensure the bobbin thread is pulled up through the needle plate hole before starting to sew.

Video: A customer demonstrating bobbin thread tangling and jamming issues. This video highlights a common problem that users might encounter.

2. Skipped Stitches

Skipped stitches can be due to a bent or dull needle, incorrect needle insertion, or improper threading. Replace the needle, ensure it is inserted correctly, and re-thread the machine.

3. Machine Not Starting

Check if the power adapter is securely plugged into both the machine and the electrical outlet. Ensure the foot pedal is correctly connected. Verify the on/off switch is in the 'on' position.

SPECIFICATIONS

Feature	Detail
Brand	BUXFMHT
Model Number	Basic Version
Color	White

Material	Polypropylene (PP)
Product Dimensions	7.87"D x 7.87"W x 3.94"H
Power Source	Electric
Number of Items	1
Included Components	Sewing Machine, Extension Table, Sewing Accessories

WARRANTY & SUPPORT

This BUXFMHT sewing machine comes with a **12-month quality guarantee**. If you have any questions or encounter issues with your product, please do not hesitate to contact us. Our customer support team is dedicated to providing assistance and will respond within 24 hours.

For further assistance, please refer to the contact information provided in your product packaging or visit the official BUXFMHT store online.

© 2024 BUXFMHT. All rights reserved.