



[Manuals.plus](#) /

› [MUDEELA](#) /

› MUDEELA 8-Tier Heavy Duty Adjustable Pot and Pan Organizer (Model SNJ03G-C) Instruction Manual

## MUDEELA SNJ03G-C

# MUDEELA 8-Tier Heavy Duty Adjustable Pot and Pan Organizer

Model: SNJ03G-C

## INTRODUCTION

This manual provides instructions for the assembly, operation, maintenance, and troubleshooting of your MUDEELA 8-Tier Heavy Duty Adjustable Pot and Pan Organizer. Please read these instructions carefully before assembly and use to ensure proper function and longevity of the product.

**Important: Before proceeding with assembly, please measure your cabinet space to ensure the organizer fits. Account for the dimensions of your cookware, including handles, to ensure adequate clearance.**

## **Important:**

Please measure the size of your cabinet before purchasing this rack

Pay attention to the space occupied by the handle



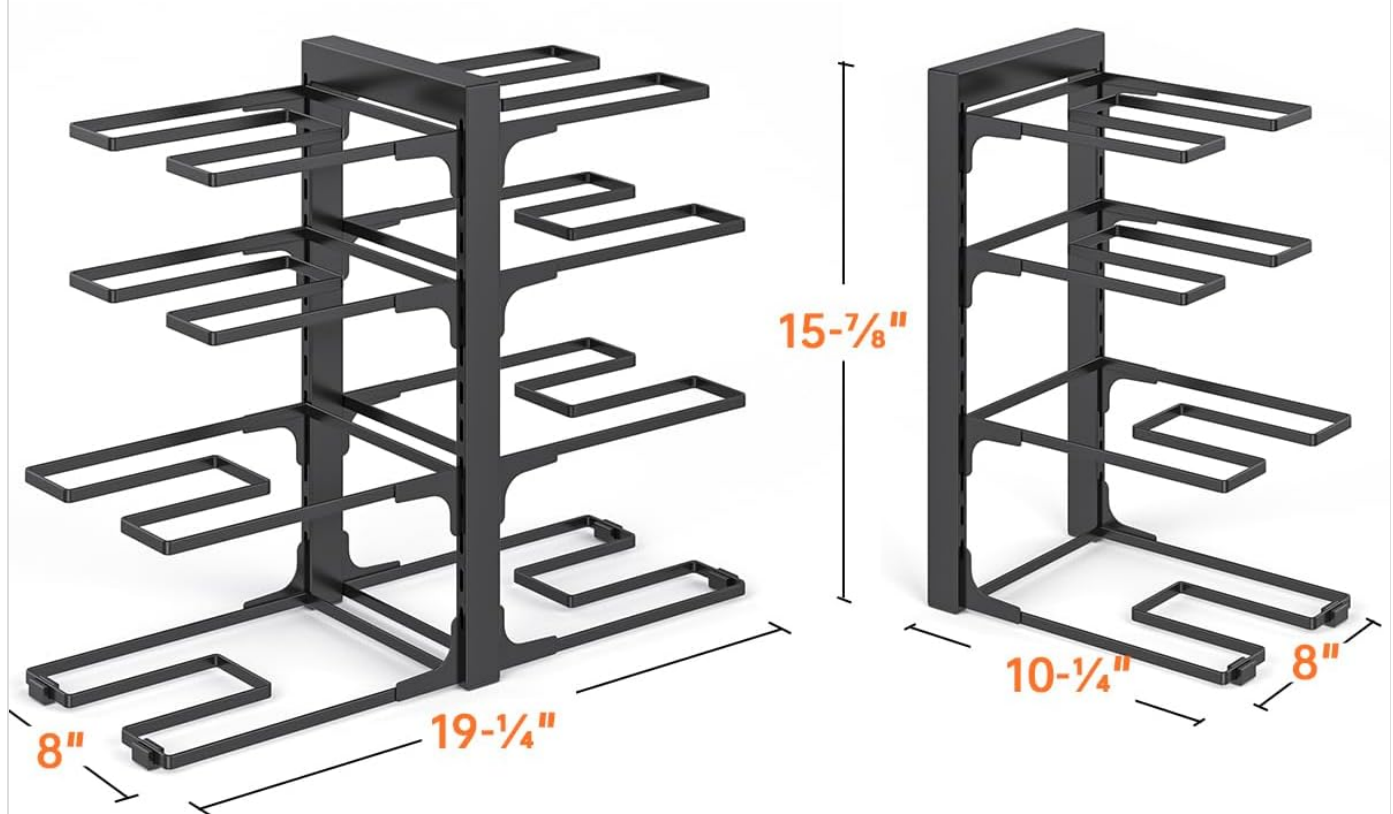
Figure 1: Cabinet measurement guidance for the organizer. Minimum required width is 22.23 inches, height 18.83 inches, and depth 10.98 inches after storing cookware.

## PACKAGE CONTENTS

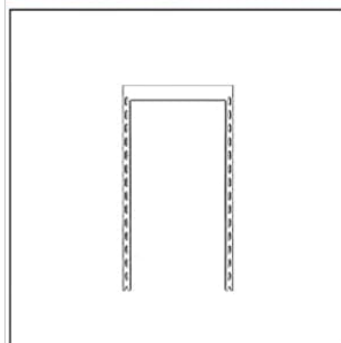
Verify that all components listed below are included in your package:

- 1 x Vertical Main Frame
- 2 x Plug
- 4 x Large Shelving Unit
- 4 x Secure Feet
- 4 x Small Shelving Unit

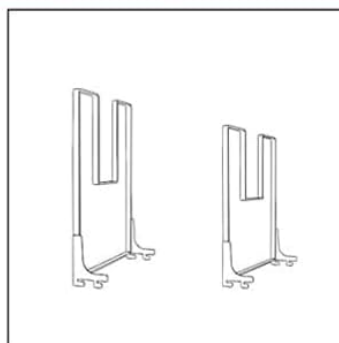
## Dimension



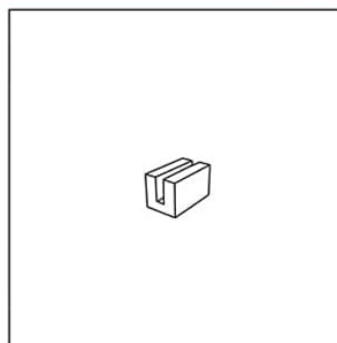
### Packing List



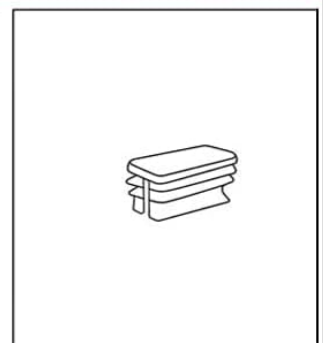
Main Frame \*1



Large Shelving Unit \*4  
Small Shelving Unit \*4



Secure Feet\*4



Plug\*2

Figure 2: Product dimensions and a visual representation of the included components.

## SETUP INSTRUCTIONS

---

The MUDEELA Pot and Pan Organizer is designed for tool-free assembly and can be configured in two primary ways to suit your storage needs.

### Assembly Steps:

1. Unpack all components and verify against the package contents list.
2. Determine your desired configuration:
  - **Vertical on Both Sides:** Attach shelving units to both sides of the main frame. This configuration provides 8 tiers of storage.
  - **Vertical on One Side:** Attach shelving units to only one side of the main frame. This configuration provides 4 tiers of storage and is suitable for narrower spaces.
3. Insert the shelving units into the slots on the main frame. The units are adjustable, allowing you to customize the height between tiers. Ensure each shelving unit is securely snapped into place.
4. Attach the secure feet to the bottom of the main frame for stability.
5. Place the two plugs into the designated holes on the main frame, if applicable to your chosen configuration.

# **2 DIY** Assembly & Adjustable Tiers

Fits pot/pan up to 12 inches

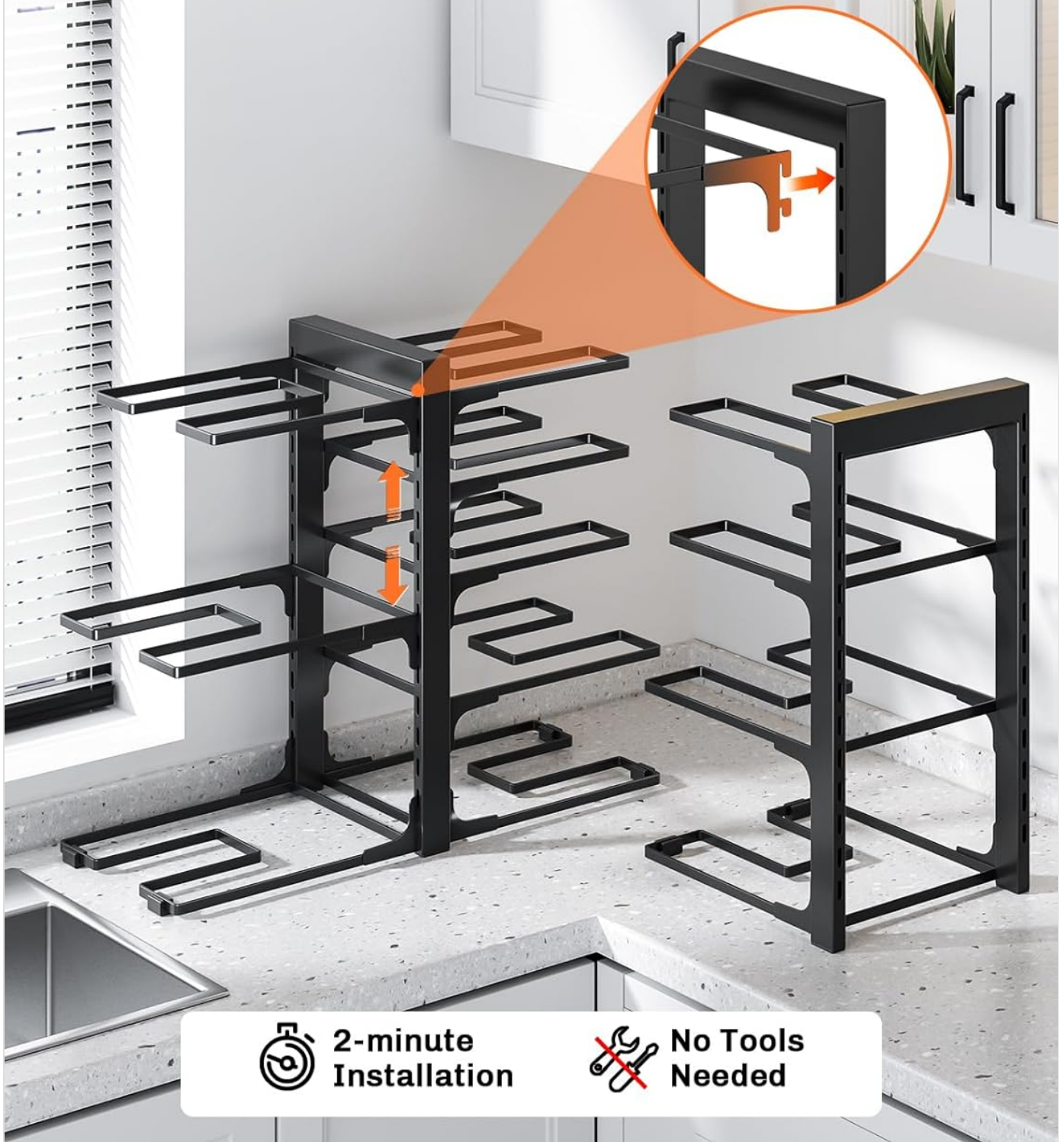


Figure 3: Visual guide for the two adjustable assembly methods.

## OPERATING INSTRUCTIONS

This organizer is designed to store various cookware items up to 12 inches in diameter, including cast iron pans, Dutch

ovens, and skillets. Each tier can hold up to 15 lbs, with a total capacity of 120 lbs for the entire unit.

**Usage Guidelines:**

- Place pots, pans, and lids onto the shelving units. The M-shaped grooves are designed to help keep lids in place.
- Distribute weight evenly across the tiers to maintain stability.
- Ensure cookware handles do not obstruct cabinet doors if placed inside a cabinet. Adjust handle positions as needed.
- The organizer can be used inside cabinets, on countertops, or on pantry floors.

# Larger Load Capacity

Holds heavy cookwares with ease



Up to  
**120**  
lbs



**Dutch Ovens**



**Cast Iron Pans**



**Heavy Skillets**

Hold a variety types of cookware up to 12 inches

Figure 4: The organizer's load capacity, capable of holding heavy cookware.

# Upgraded Design & Outstanding Balance



**Others**



**Ours**  
Non-tilting

Figure 5: The upgraded design ensures stability and prevents tilting.



**After**



Figure 6: Examples of organized cookware storage using the product on a countertop, inside a cabinet, and on the floor.

**MAINTENANCE**

To ensure the longevity and appearance of your organizer, follow these simple maintenance guidelines:

- Wipe the organizer regularly with a soft, damp cloth to remove dust and spills.
- Avoid using abrasive cleaners or harsh chemicals, as these can damage the finish.
- Ensure the organizer is completely dry after cleaning to prevent rust, as it is made of iron.

## TROUBLESHOOTING

### Issue: Organizer appears wobbly or unstable.

#### Solution:

- Ensure all shelving units are fully inserted and securely snapped into their respective slots on the main frame.
- Verify that the secure feet are properly attached to the base of the main frame.
- Check that the bottom rack is installed correctly and firmly seated. Incorrect installation of the bottom rack can affect overall stability.
- Distribute the weight of your cookware evenly across the tiers. Uneven loading can cause instability.

### Issue: Cookware does not fit or cabinet door does not close.

#### Solution:

- Re-measure your cabinet dimensions and compare them with the organizer's dimensions (7.98"D x 19.23"W x 15.83"H) and the space required for your cookware (minimum 22.23" width, 18.83" height, 10.98" depth).
- Adjust the height of the shelving units to accommodate larger pots or pans.
- Rotate cookware handles to ensure they do not obstruct cabinet doors.
- Consider using the vertical on one side configuration if space is limited.

## PRODUCT SPECIFICATIONS

<b>Brand</b>	MUDEELA
<b>Model Number</b>	SNJ03G-C
<b>Product Dimensions</b>	7.98"D x 19.23"W x 15.83"H
<b>Material</b>	Iron
<b>Color</b>	Black
<b>Number of Shelves</b>	8
<b>Shelf Type</b>	Tiered Shelf
<b>Shelf Weight Capacity</b>	120 Pounds (15 lbs per tier)
<b>Special Features</b>	Adjustable, Detachable, Heavy Duty
<b>Assembly Required</b>	Yes (Tool-free)
<b>Mounting Type</b>	Under Cabinet (also suitable for countertop/floor)

## WARRANTY INFORMATION

Specific warranty details for the MUDEELA 8-Tier Heavy Duty Adjustable Pot and Pan Organizer are typically provided

with your purchase or can be found on the official MUDEELA website. Please retain your proof of purchase for any warranty claims.

## CUSTOMER SUPPORT

---

For further assistance, questions, or to report any issues with your MUDEELA Pot and Pan Organizer, please contact MUDEELA customer support through their official website or the retailer where the product was purchased.